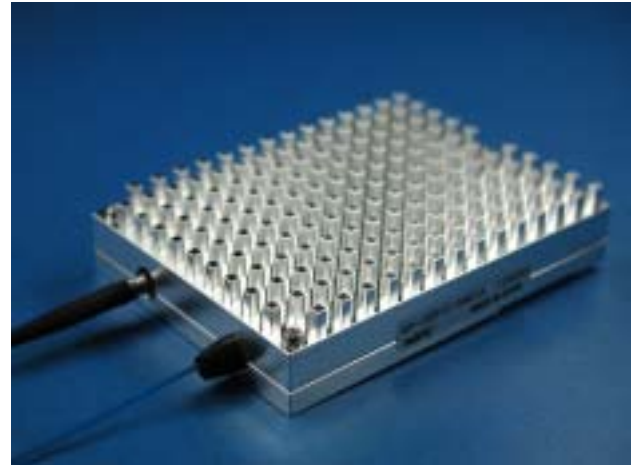


OD-J8673

10-Gbps Optical Transceiver with 16-channels MUX/DEMUX for 10G Ethernet

FEATURES

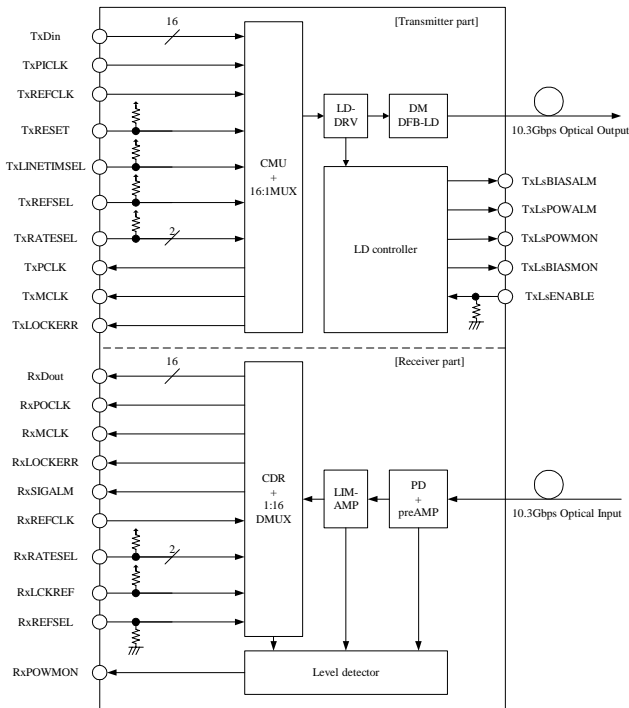
- 300-pin MSA (*Multi Source Agreement*) compliant
- Designed for 10G Ethernet
- IEEE 802.3ae 10GBASE-LR compliant
- Uncooled DFB transmitter and pin-PD receiver
- 16:1-MUX / 1:16-DEMUX Integrated
- 644.53-Mbps LVDS Input / Output interface
- Compact Size : 75 x 55 x 16 (mm)
- Power Supply Voltage : +3.3V and -5.2V
- Low Power Consumption : 5.4W (Typ.)
- Operating Case Temperature Range : 0 to 70°C



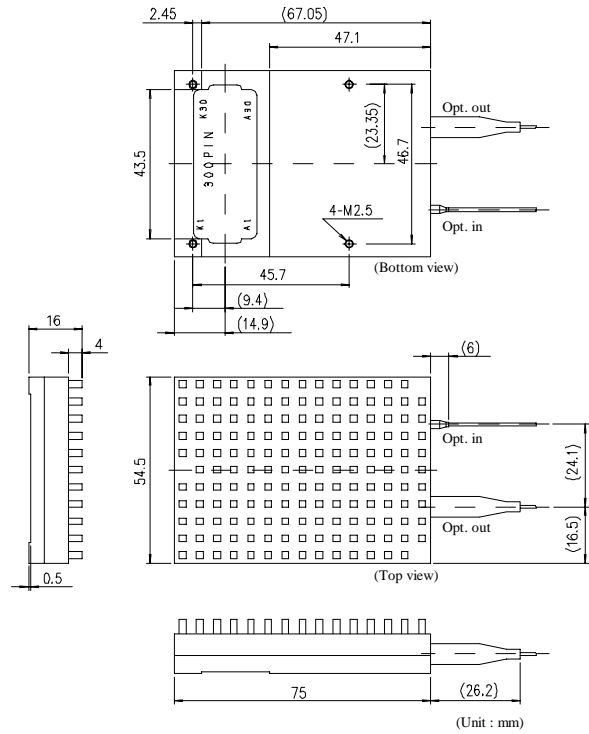
PERFORMANCE

Parameter	Performance
Transmission Data Rate	10.3125-Gbps
Pigtail Fiber	Pigtail Fiber : SMF, Pigtail Length : 1 m each Optical Connector : SC (Grp. 0A01)
Transmitter Output Optical Interface	Launched Power in OMA : -5.2 dBm (min) Wavelength : 1260-1355 nm Extinction Ratio : 3.5 dB (min)
Receiver Input Optical Interface	Receiver Sensitivity in OMA : -12.6 dBm (max) Overload : 0.5 dBm (min) Optical Return Loss : -12 dB
Data I/O Signals	644.53-Mbps x 16-channels
Operating Case Temp.	0 to 70 °C
Power Supply Voltage	+3.3V and -5.2V
Power Consumption	5.4W(typ.) , 6.5W(wst)
Dimension	75 x 55 x 16 (mm)
Alarm Function	Tx : Optical output alarm, LD bias alarm Rx : Loss of signal alarm
Monitor Function	Tx : Optical output power monitor, LD bias monitor Rx : Optical input power monitor

Block Diagram

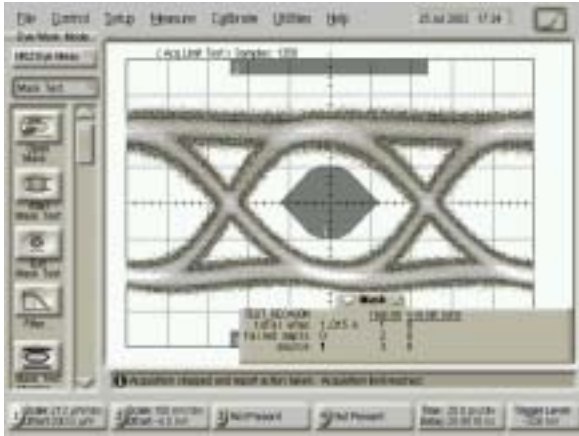


Dimension

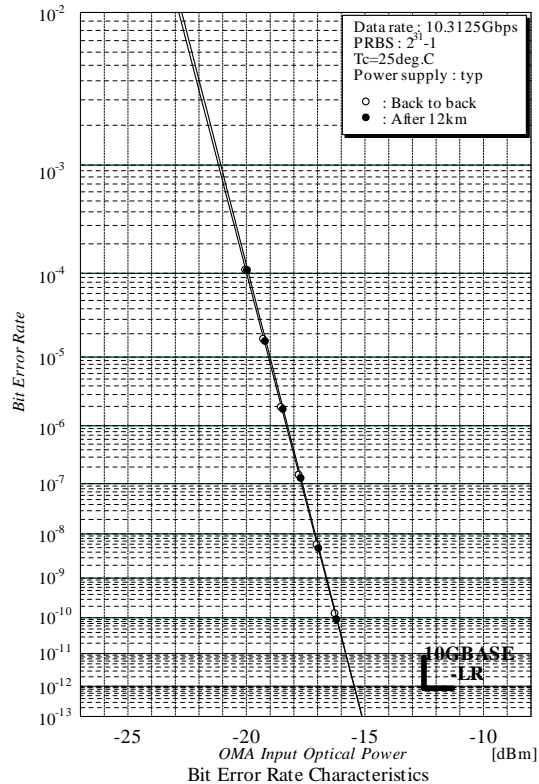


Performance

Output waveform (Tc=25deg.C , Filtered)



Sensitivity (SMF 12km transmission)



Order form

OD-J8673-0xy1

x : Connector type

A:SC,B:FC,C:MU,D:LC

y : Package type

0:16mm height with Heatsink

1:13.5mm height with Heatsink

2:12mm height without Heatsink

Sales Department, Fiber Optic Devices Division
Optical Network Operations Unit, NEC Networks
NEC Corporation
1753 Shimonumabe, Nakahara-ku, Kawasaki, Kanagawa 211-8666, Japan
Tel: +81-44-435-5412 Fax: +81-44-435-5109

<http://networks.nec.co.jp/on/dd/en/>

EWV-19-0044-P1E August 2002

Copyright © 2002 NEC Corporation

NEC Electronics (Europe) GmbH
Sales and marketing of semiconductors across Europe
Oberratherstr. 4, 40472 Dusseldorf, Germany
Tel: +49-211-6503-979 FAX: +49-211-6503-358

USA & CANADA
NEC FiberOptech, Inc.
10050 North Wolfe Road, Suite SW1-290 Cupertino, CA 95014, USA
Tel: +1-408-863-2000 Fax: +1-408-863-2019



DATA SUBJECT TO CHANGE WITHOUT NOTICE