

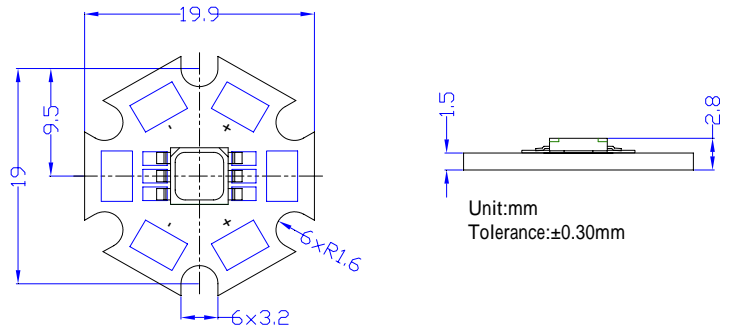
### ■Features

- Highest Luminous Flux
- Super Energy Efficiency
- Long Lifetime Operation
- Superior ESD protection
- Superior UV Resistance

### ■Applications

- Electronic Signs And Signals
- Small Area Illuminations
- Back Lighting
- Other Lighting
- Bollards / Security / Garden
- Traffic signaling / Beacons

### ■Outline Dimension

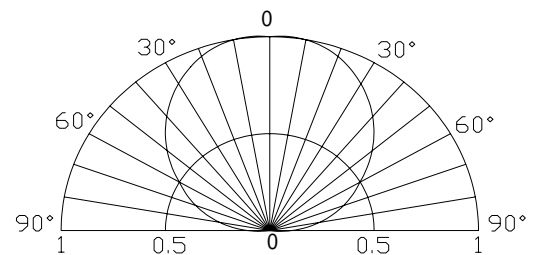


### ■Absolute Maximum Rating

(Ta=25 )

Item	Symbol	Value		Unit
		W/M/B/G	R	
DC Forward Current	I <sub>F</sub>	400	400	mA
Pulse Forward Current*	I <sub>FP</sub>	500	500	mA
Reverse Voltage	V <sub>R</sub>	5	5	V
Power Dissipation	P <sub>D</sub>	1600	1200	mW
Operating Temperature	Topr	-40 ~ +85		
Storage Temperature	Tstg	-40 ~ +85		
Lead Soldering Temperature	Tsol	260 /5sec		-

### ■Directivity



\*Pulse width Max 0.1ms, Duty ratio max 1/10

### Electrical -Optical Characteristics

(Ta=25 )

Part Number	Color		V <sub>F</sub> (V)			I <sub>R</sub> (μA)	v(lm)*			λD(nm)*			2θ1/2(deg)
			Min.	Typ.	Max.	Max.	Min.	Typ.	Max.	Min.	Typ.	Max.	Typ.
			I <sub>F</sub> =350mA			V <sub>R</sub> =5V	I <sub>F</sub> =350mA						
OSW4XAT1C1S	White	W	3.0	3.3	4.0	10	90	100	-	X=0.31, Y=0.33			120
OSM5XAT1C1S	Warm White	M	3.0	3.3	4.0	10	80	90		X=0.45, Y=0.41			120
OSB5XAT1C1S	Blue	B	3.0	3.3	4.0	10	10	15	-	465	470	475	120
OSG5XAT1C1S	Pure Green	G	3.0	3.3	4.0	10	65	75	-	520	525	530	120
OSR5XAT1C1S	Red	R	2.0	2.5	3.0	10	40	50	-	620	625	630	120

Note: \*1. Tolerance of chromaticity coordinates is ±10%

\*2. Dominant wavelength tolerance: ±1nm

\*3. Tolerance of luminous Flux is ±15%