



Monolithic ICs



7-77-21

ICs for VTR Applications

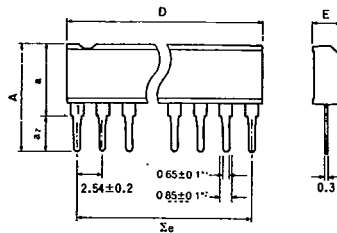
• Video Signal Processing

Type	Function	Package		Features	Reference Catalog
		Configuration	No. of pins		
BA7001	Video signal switcher	SIP	8	Low crosstalk. Low output DC potential (5mV, Typ.) and less switching noise.	No.3121
BA7004/BA7004F	Test pattern generator	SIP/MF	5/8	No need for adjustments. Few external components.	No.3121
BA7007	SECAM discriminator	LF	16	Few external components. High discrimination performance.	No.3121
BA7025L	SECAM discriminator	LF	18	Few external components. High discrimination performance. High noise margin. 5V power supply.	No.3121
BA7100	SECAM discriminator	DIP	16	Small DC output difference (5mV, Typ.) Low switching noise.	No.3121
BA7107/BA7107F	SECAM chroma signal processing for VHS VTRs	DIP/MF	28	Capable of processing SECAM chroma signal for recording and playback with a single chip.	No.3121
BA7022A	0.5H skew correction	DIP	22	Contains a 0.5H skew detection circuit and correction circuit using glass delay line in a single chip. 5V power supply.	No.3121
BA7032L	Chroma skew correction (PAL)	LF	16	Output level of chroma amplifier is 1Vp-p. Used with BA7022A, skew correction (Y chroma) for PAL VTR is easy.	No.3121
BA7021	Video signal switcher	SIP	9	Excellent characteristics at reduced voltages. For 5V sets. Built-in video clamp circuit.	No.3121
New BA7039	Auto tracking interfacs	DIP	16	Detects/integrates FM video and Hi-Fi audio signals to provide integration output of 0 to 5V; with internal VCA and level compressor, applicable to a wide range of input levels.	—
New BA7043FS	Auto tracking interface	MFS	20	Detects/integrates FM video and Hi-Fi audio signals to provide integration output of 0 to 5V; with internal TAC and level compressor, applicable to a wide range of input levels.	—
New BA7046/BA7046F	Sync. separation circuit with AFC	DIP/MF	8	Provides HD, VD, and composite sync. outputs; guaranteed phase difference between HD and VD; few external components required.	—
New BA7047S	Auto tracking interface	DIPS	22	Detects/integrates FM video and Hi-Fi audio signals to provide integration output of 0 to 5V; gain frequency response is variable over a wide range with external circuit constants.	—
BA7131F	Video signal switcher	MF	8	Good voltage attenuation characteristics; built-in video clamp and muting; two inputs.	No.3121
BA7024	Built-in TSG video switcher	SIP	7	Combines TV test signal and switcher in single chip. For 5V sets.	No.3121
BA7026L	Video/audio signal switcher	LF	16	Analog switch for monaural (DIN-standard). Provided with a terminal for controlling.	—
BA7028A	Video/audio signal switcher	DIP	22	Analog switch for stereo (DIN-standard). Provided with a terminal for controlling.	—
BA7602/BA7602F	Video/audio signal switcher	DIP/MF	16	Three 2-input/1-output switching circuits; Excellent frequency characteristics; Wide dynamic range.	No.3121
BA7603/BA7603F	Video signal switcher	DIP/MF	16	Three 2-input/1-output switching circuits; Excellent frequency characteristics; Wide dynamic range; Sync chip clamp input.	No.3121
BA7604N	Video/audio signal switcher	SIP	10	Two 2-input/1-output switching circuits; Excellent frequency characteristics; Wide dynamic range.	No.3121
BA7605N	Video signal switcher	SIP	10	Two 2-input/1-output switching circuits; Excellent frequency characteristics; Wide dynamic range; Sync chip clamp input.	No.3121
BA7606/BA7606F	Video/RGB signal switcher	DIP/MF	16	Three 2-input/1-output switching circuits; Pedestal clamp input; Excellent frequency characteristics; Wide dynamic range	No.3121
BA7607/BA7607F	Video/audio signal switcher	DIP/MF	16	Two sync chip clamp input circuits, a non-clamp input circuit; Excellent frequency characteristics; Wide dynamic range.	No.3121
New BA7608N	Video/audio signal switcher	SIP	10	One sync chip clamp input circuits, a non-clamp input, Excellent frequency characteristics, Wide dynamic range.	—
New BA7609/BA7609F	Video/audio signal switcher	DIP/MF	16	One sync chip clamp input circuits, two non-clamp input, Excellent frequency characteristics, Wide dynamic range.	—
BA7611N	Video signal switcher	SIP	8	3-input and 1-output switching, and a 6dB amplifier; clamp input; excellent frequency characteristics.	No.3121
BA7625	Video signal switcher for AV amplifier.	DIP	16	5-input and output switching circuits; clamp input; 6dB amplifier built in.	No.3121
BA7626	Video signal switcher for AV amplifier.	DIP	16	5-input and 3-output switching circuits with 6dB amplifier. Suitable for S terminal switching.	No.3121
BA7252S	Video signal 2CH, PRE/REC amplifier	DIPS	22	One chip performs playback and record for two heads; built-in head switching and AGC circuit; constant current recording amplifier.	No.3121
BA7212S/BA7212FS	Video signal 2CH, PRE/REC amplifier	DIPS/MFS	22/24	Same as BA7252S except that the power supply voltage at recording is 12V.	No.3121



Dimensions (Unless otherwise specified, dimensions are shown in Typ. values.)

SIP

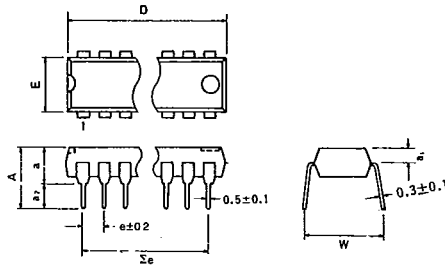


• SIP Dimensions (Unit: mm)

Package	A	a	a ₂	D	Σe	E
SIP 5	9.7	6.2	3.5	12.0	10.16	2.4
SIP 7	9.7	6.2	3.5	17.0	15.24	2.8
SIP 8	10.5	7.0	3.5	19.5	17.78	2.8
SIP 9	10.5	7.0	3.5	22.0	20.32	2.8
SIP 10	10.5	7.0	3.5	25.2	22.86	2.8

*1 SIP 10pin: 0.6 *2 SIP 10pin: 0.8

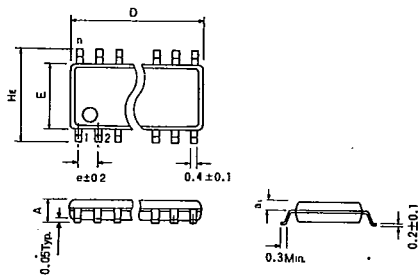
DIP/DIPS



• DIP Dimensions (Unit: mm)

Package	A	a	a ₁	a ₂	D	e	Σe	E	W
DIP 8	6.8	3.6	1.1	3.2	9.3	2.54	7.62	6.5	8.8
DIP 14	6.94	3.65	1.65	3.29	19.4	2.54	15.24	6.5	8.8
DIP 16	6.94	3.65	1.65	3.29	19.4	2.54	17.78	6.5	8.8
DIP 18	6.94	3.65	1.65	3.29	22.9	2.54	20.32	6.5	8.8
DIP 20	7.09	3.65	1.65	3.44	26.3	2.54	22.86	6.5	8.8
DIP 22	7.09	3.65	1.65	3.44	26.3	2.54	25.40	6.5	8.8
DIP 24	7.51	4.22	1.8	3.29	32.0	2.54	27.94	13.8	16.5
DIP 28	7.51	4.22	1.8	3.29	37.1	2.54	33.02	13.8	16.5
DIP 40	7.7	4.5	1.8	3.2	52.3	2.54	48.26	13.8	16.5
DIPS 18	7.35	3.65	1.65	3.7	19.4	1.778	14.224	6.5	8.8
DIPS 22	7.35	3.65	1.65	3.7	19.4	1.778	17.78	6.5	8.8
DIPS 24	7.4	4.0	1.7	3.4	22.8	1.778	19.558	6.5	8.8
DIPS 30	7.9	4.7	1.7	3.2	28.0	1.778	24.892	8.4	11.4
DIPS 32	7.9	4.7	1.7	3.2	28.0	1.778	26.67	8.4	11.4
DIPS 42	7.7	4.5	1.8	3.2	37.1	1.778	35.56	13.8	16.5

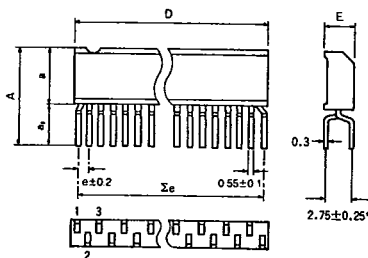
MF/MFS/MFP



• MF Dimensions (Unit: mm)

Package	A	a ₁	D	H _e	e	E
MF 8	1.5	0.65	5.0	6.2	1.27	4.4
MF 14	1.5	0.65	8.7	6.2	1.27	4.4
MF 16	1.5	0.65	10.0	6.2	1.27	4.4
MF 18	1.8	0.8	11.2	7.8	1.27	5.4
MF 20	1.8	0.8	12.5	7.8	1.27	5.4
MF 22	1.8	0.8	13.7	7.8	1.27	5.4
MF 24	1.8	0.8	15.0	7.8	1.27	5.4
MF 28	2.2	1.0	18.5	9.9	1.27	7.5
MFS 16	1.5	0.65	6.6	6.2	0.8	4.4
MFS 20	1.8	0.8	8.7	7.8	0.8	5.4
MFS 24	1.8	0.8	10.0	7.8	0.8	5.4
MFP 24	1.9	0.8	13.7	7.8	0.8	5.4
MFP 28	2.2	0.95	18.5	9.9	0.8	7.5

LF/LFS



• LF Dimensions (Unit: mm)

Package	A	a	a ₂	D	Σe	e	E
LF 9	9.8	5.0	4.8	12.0	10.16	1.27	2.4
LF 12	9.8	5.0	4.8	17.0	13.97	1.27	2.8
LF 16	9.9	5.8	4.1	19.5	19.05	1.27	2.8
LF 18	9.9	5.8	4.1	22.0	21.59	1.27	2.8
LFS 24	10.0	5.8	4.2	22.0	20.447	0.889	2.8

*LFS 24: 2.54±0.25

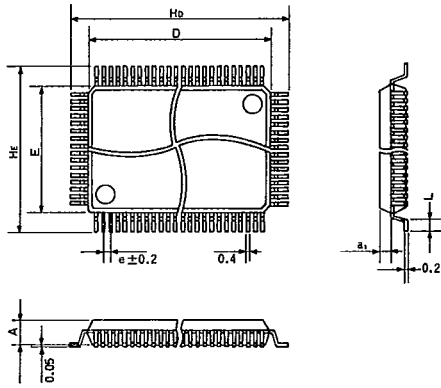


Monolithic ICs



T-90-20

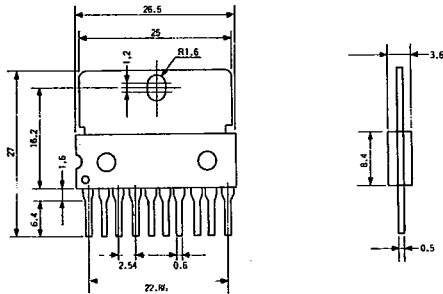
QFP/QFPS



• QFP Dimensions (Unit: mm)

Package	A	a_1	D	e	E	H_E	H_D	L
QFP 32	1.45	0.65	7.0	0.8	7.0	9.0	9.0	0.4
QFP 44	2.15	1.0	10.0	0.8	10.0	14.0	14.0	1.2
QFP 64	2.15	1.0	20.0	1.0	14.0	18.0	24.0	1.2
QFP 80	2.7	1.275	20.0	0.8	14.0	18.0	24.0	1.2
QFPS 56	2.15	1.0	10.0	0.65	10.0	12.4	12.4	0.5
QFPS 80	2.7	1.275	14.0	0.65	14.0	16.4	16.4	0.5
QFPS 100	2.7	1.275	20.0	0.65	14.0	18.0	24.0	1.2

SIP-P 10 pin



SIP-P 12 pin

