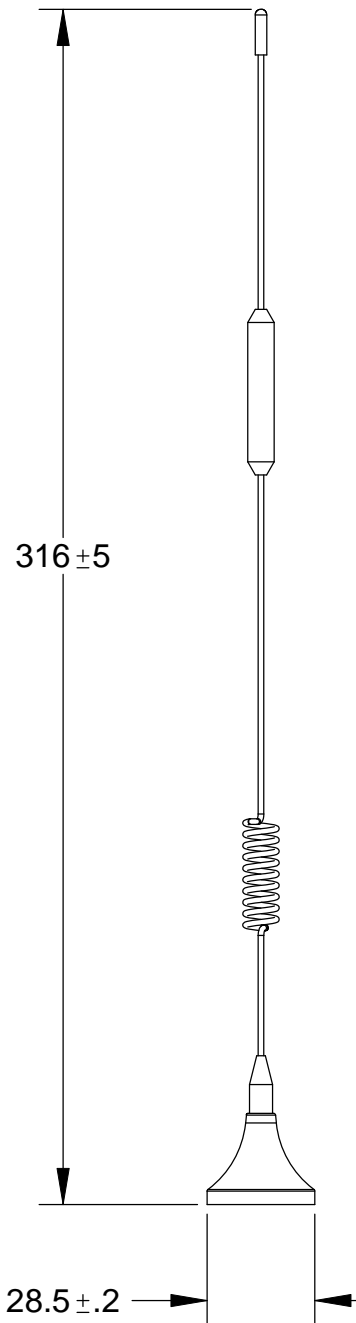
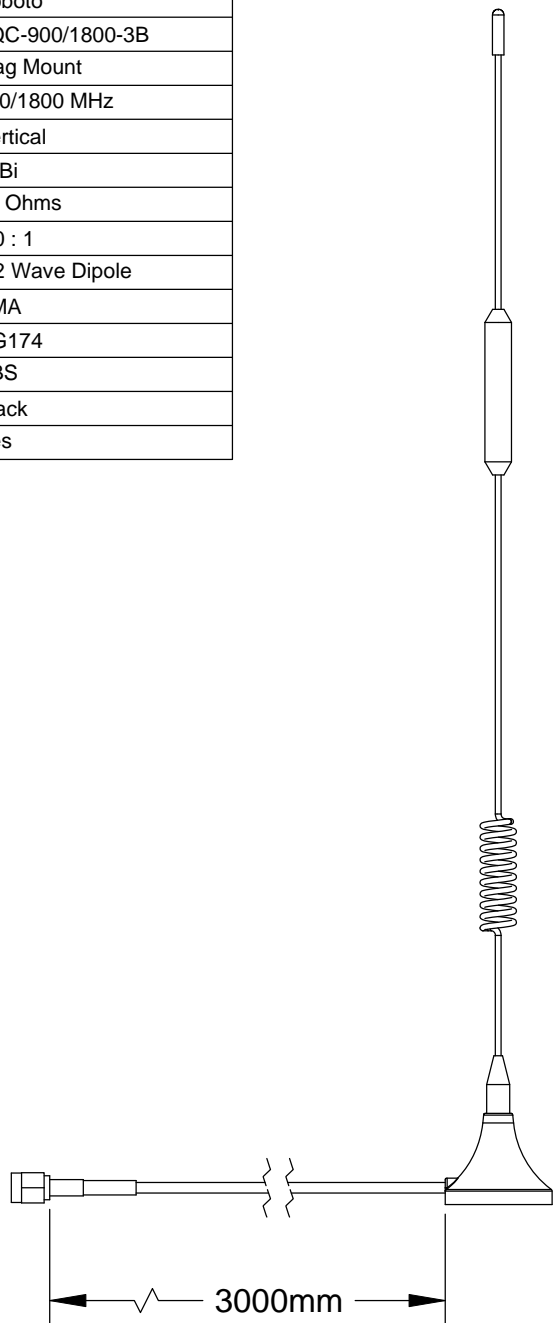


Specifications

| | |
|----------------|-----------------|
| Manufacturer | Boboto |
| Model | TQC-900/1800-3B |
| Type | Mag Mount |
| Frequency | 900/1800 MHz |
| Polarization | Vertical |
| Gain | 3dBi |
| Impedance | 50 Ohms |
| VSWR | 2.0 : 1 |
| Wave | 1/2 Wave Dipole |
| Connector | SMA |
| Coax Cable | RG174 |
| Housing | ABS |
| Color | Black |
| RoHS Compliant | Yes |



ALL DIMENSIONS IN mm



-NOTICE-

This drawing may contain confidential and proprietary information of Multi-Tech Systems Inc.. It is loaned for limited purposes only and remains the property of Multi-Tech Systems Inc.. It may not be reproduced in whole or part without written consent. This drawing is to be returned upon request. Uncontrolled when printed.

Title
900/1800 MHz 1/2 W Mag Mt Antenna

Drawn Dean Brandt 12/12/08
Checked
Approved

| | | | |
|-------|------|----------|-------------------------|
| Scale | NONE | Sheet | 1 of 1 |
| Size | A | Dwg. No. | ANF1-1MMHW 45009714L |
| Rev. | - | | |