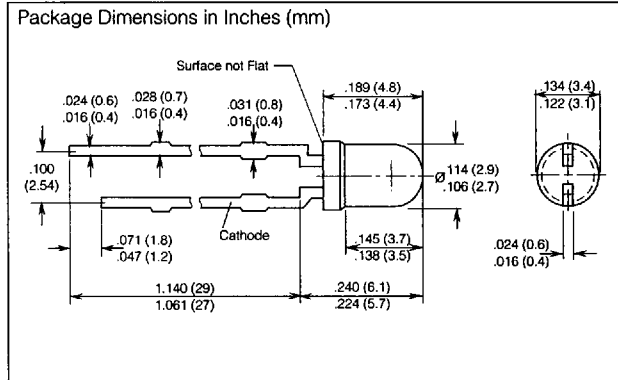
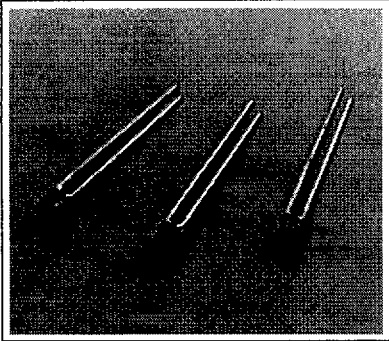


T1 (3 mm) Wide Angle LED Lamp



FEATURES

- Colors: Super-Red, Yellow, Green
- Lens: Red Diffused, Yellow Diffused, Green Diffused
- Low Power Dissipation
- Suitable for Multiplex Operation
- Wide Angle 100°

DESCRIPTION

The LS/LY/LG 3380 are T1 (3 mm) wide angle LED lamps. The 3 mm plastic package has colored diffused lenses to match the emission color and 2.54 mm lead spacing.

Maximum Ratings

Operating Temperature	Range (T _{OP})	-55°C to +100°C
Storage Temperature	Range (T _{STG})	-55°C to +100°C
Junction Temperature (T _J)		100°C
Reverse Voltage (V _R)		5 V
Forward Current (I _F)		40 mA
Surge Current (I _{FS}) t=10 μs		0.5 A
Total Power Dissipation (P _{TOT}) T _A =25°C		140 mW
Thermal Resistance	Junction to Air (R _{THJA})	400 K/W

See graph numbers 1, 2P, 3A, 4A, 5A, 6A, 7A, 8A, 9A, 10A in the back of this section.

Characteristics (T_A=25°C) All values typical unless otherwise noted

Parameter	Sym	LS 3380	LY 3380	LG 3380	Unit
		Super-Red	Yellow	Green	
Peak Wavelength (I _F =20 mA)	λ _{PEAK}	635	586	565	nm
Dominant Wavelength	λ _{DOM}	628	590	570	nm
Spectral Bandwidth (typ.) (50% I _{RELMAX} , I _F =20 mA)	Δλ	45	45	25	nm
Viewing Angle 50% I _V	2φ	100	100	100	Deg.
Forward Voltage (I _F =10 mA)	V _F	2.0(≤2.6)	2.0(≤2.6)	2.0(≤2.6)	V
Reverse Current (V _R =5 V)	I _R	0.01(≤10)	0.01(≤10)	0.01(≤10)	μA
Capacitance (V _R =0 V, f=1 MHz)	C ₀	12	10	45	pF
Rise Time, I _V	t _R	300	300	450	ns
Fall Time, I _V	t _F	150	150	200	ns
Luminous Intensity (mcd)*					
		<i>Test</i>		<i>Test</i>	
Part Number	Min. Max. Condition	Part Number	Min. Max. Condition		
LS 3380-FJ	1.0 8.0 10 mA	LG 3380-GK	1.6 12.5 10 mA		
LS 3380-H	2.5 5 10 mA	LG 3380-HL	2.5 2.0 10 mA		
LS 3380-J	4 8 10 mA	LG 3380-H	2.5 5 10 mA		
LS 3380-HL	2.5 20 10 mA	LG 3380-J	4.0 8.0 10 mA		
LY 3380-FJ	1 8 10 mA				
LY 3380-H	2.5 5 10 mA				
LY 3380-HL	2.5 20 10 mA				
LY 3380-J	4 32 10 mA				
LY 3380-K	6.3 12.5 10 mA				

*Luminous intensity ratio of one packaging unit I_{V MAX}/I_{V MIN} ≤ 2.