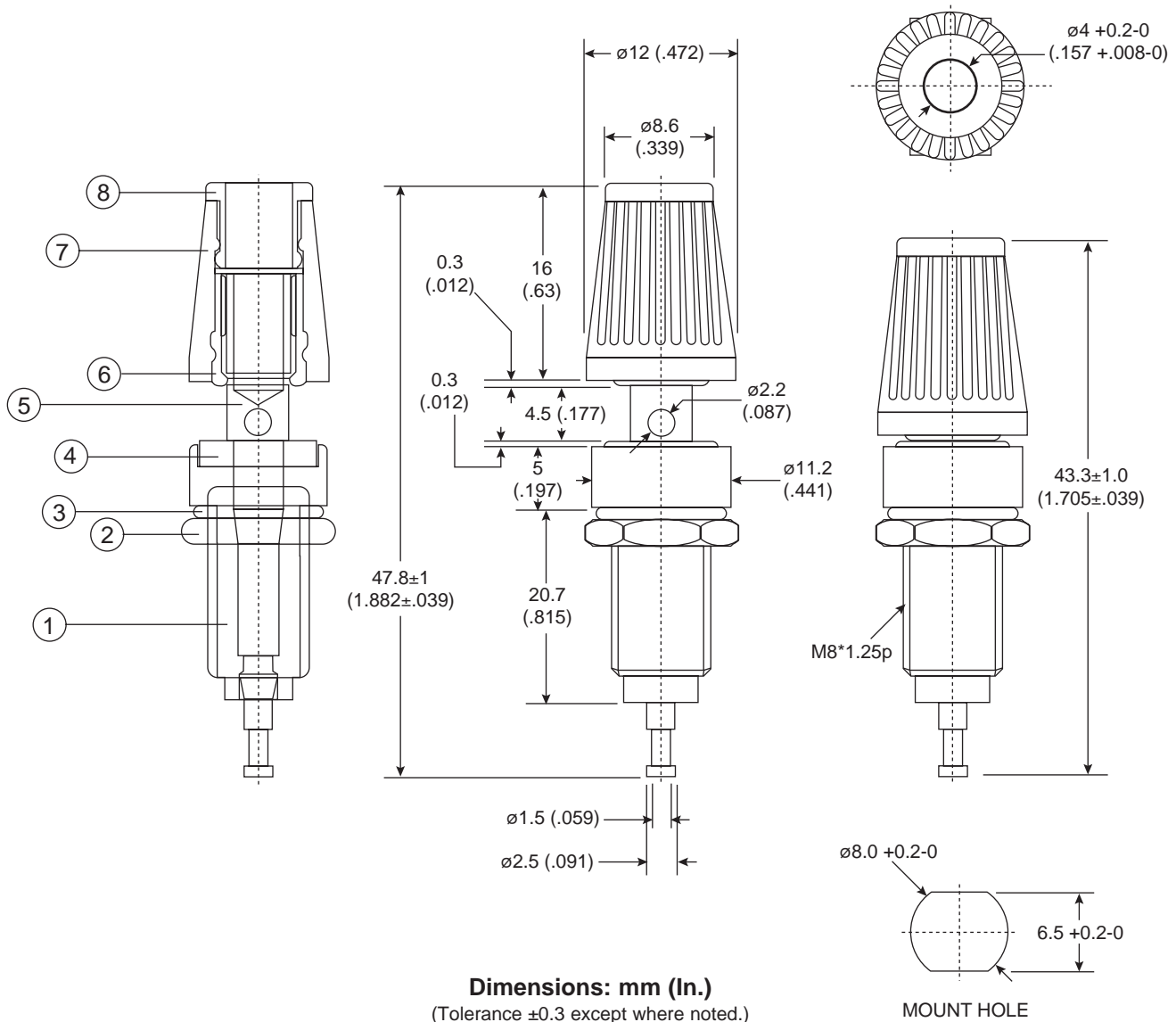


# Binding Post

164-R134B, 164-R134R

**KOBI**CONN

Binding Post



No.	Description	Qty.	Material	Finish
8	Color Ring	1	Nylon-6	Black/Red
7	Bushing	1	C3602BE	Ni-Plating
6	Hex Nut	1	C3602BE 3.0t	Ni-Plating
5	Spring Washer	1	SWRH 1.0t	Ni-Plating
4	Body	1	Nylon-6	
3	Washer	1	C1100R-1/2H 2.0T	Ni-Plating
2	Shaft	1	C3602BE ø6.0	Ni-Plating
1	Knob	1	Nylon-6	Gray

SPECIFICATIONS	
<b>Rating:</b>	10A 125VAC
<b>Contact Resistance:</b>	50mΩ Max.
<b>Insulation Resistance:</b>	DC 500V 100MΩ Min.
<b>Dielectric Strength:</b>	AC 1000V 1 Minute

Date Last Revised: 08-19-04

Available from Mouser Electronics  
1-800-346-6873  
www.mouser.com

KC-300113

164-R134B, 164-R134R