

**PLEASE CHECK WWW.MOLEX.COM FOR LATEST PART INFORMATION**

**Part Number:** [0503227312](#)  
**Status:** **Active**  
**Description:** Spade Tongue Terminal for 16-22 AWG, Closed Uninsulated Brazed Barrel, Stud Size 6 (M3.5), Oxygen-Free Copper, Length 15.00mm (.591"), Width 5.80mm (.228")

**Documents:**

[Drawing \(PDF\)](#) [RoHS Certificate of Compliance \(PDF\)](#)  
[Product Specification PS-50322-001 \(PDF\)](#)

**Agency Certification**

UL E134962

**General**

Product Family Ring and Spade Terminals  
 Series [50322](#)  
 Crimp Quality Equipment Yes  
 Mil-Spec N/A  
 Product Name Y (Spade)  
 Type Spade

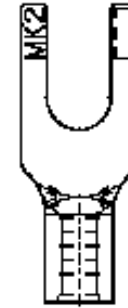
**Physical**

Barrel Type Closed - Brazed  
 Insulation None  
 Material - Plating Mating Tin  
 Packaging Type Bag  
 Plating min: Mating (µin) 40  
 Plating min: Mating (µm) 1  
 Plating min: Termination (µin) 40  
 Plating min: Termination (µm) 1  
 Stud Size 6 (M3.5)  
 Termination Interface: Style Crimp or Compression  
 Wire Size AWG 16, 18, 20, 22  
 Wire Size mm<sup>2</sup> 0.25 - 1.65

**Material Info**

**Reference - Drawing Numbers**

Product Specification PS-50322-001  
 Sales Drawing SD-50322-001



Series

image - Reference only

**EU RoHS**

**ELV and RoHS Compliant**  
**REACH SVHC**  
 Not Reviewed  
**Halogen-Free Status**  
**Not Reviewed**

**China RoHS**



**Need more information on product environmental compliance?**

Email [productcompliance@molex.com](mailto:productcompliance@molex.com)  
 For a multiple part number RoHS Certificate of Compliance, [click here](#)

Please visit the [Contact Us](#) section for any non-product compliance questions.

**Search Parts in this Series**

[50322Series](#)

**Application Tooling | [FAQ](#)**

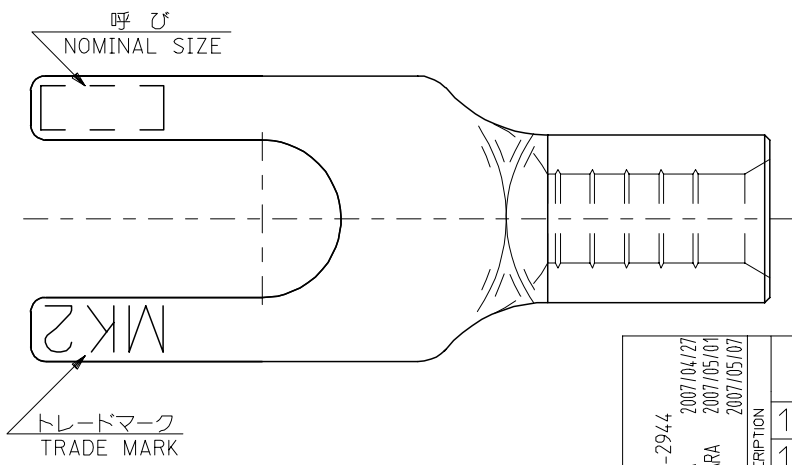
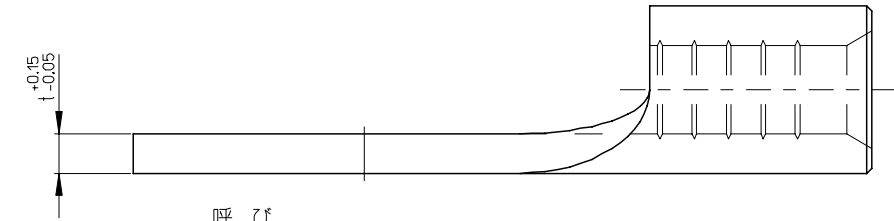
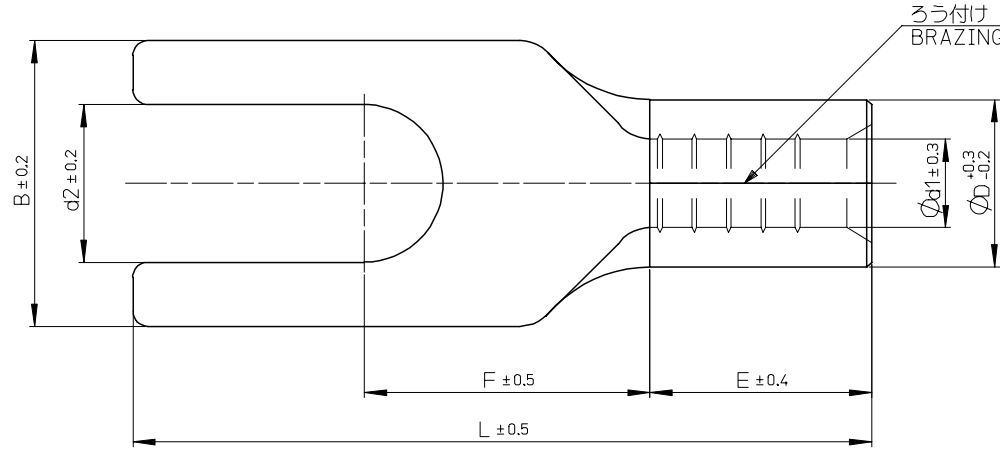
*Tooling specifications and manuals are found by selecting the products below. Crimp Height Specifications are then contained in the Application Tooling Specification document.*

**Japan**

| Description                            | Product #                  |
|--|----------------------------|
| Hand Crimper For JIS Terminal          | <a href="#">0572575000</a> |
| Hand Crimper For JIS Terminal          | <a href="#">0573435002</a> |
| Air Type Hand Crimper For JIS Terminal | <a href="#">0573439005</a> |

10 9 8 7 6 5 4 3 2 1

F  
E  
D  
C  
B  
A



注記 NOTES

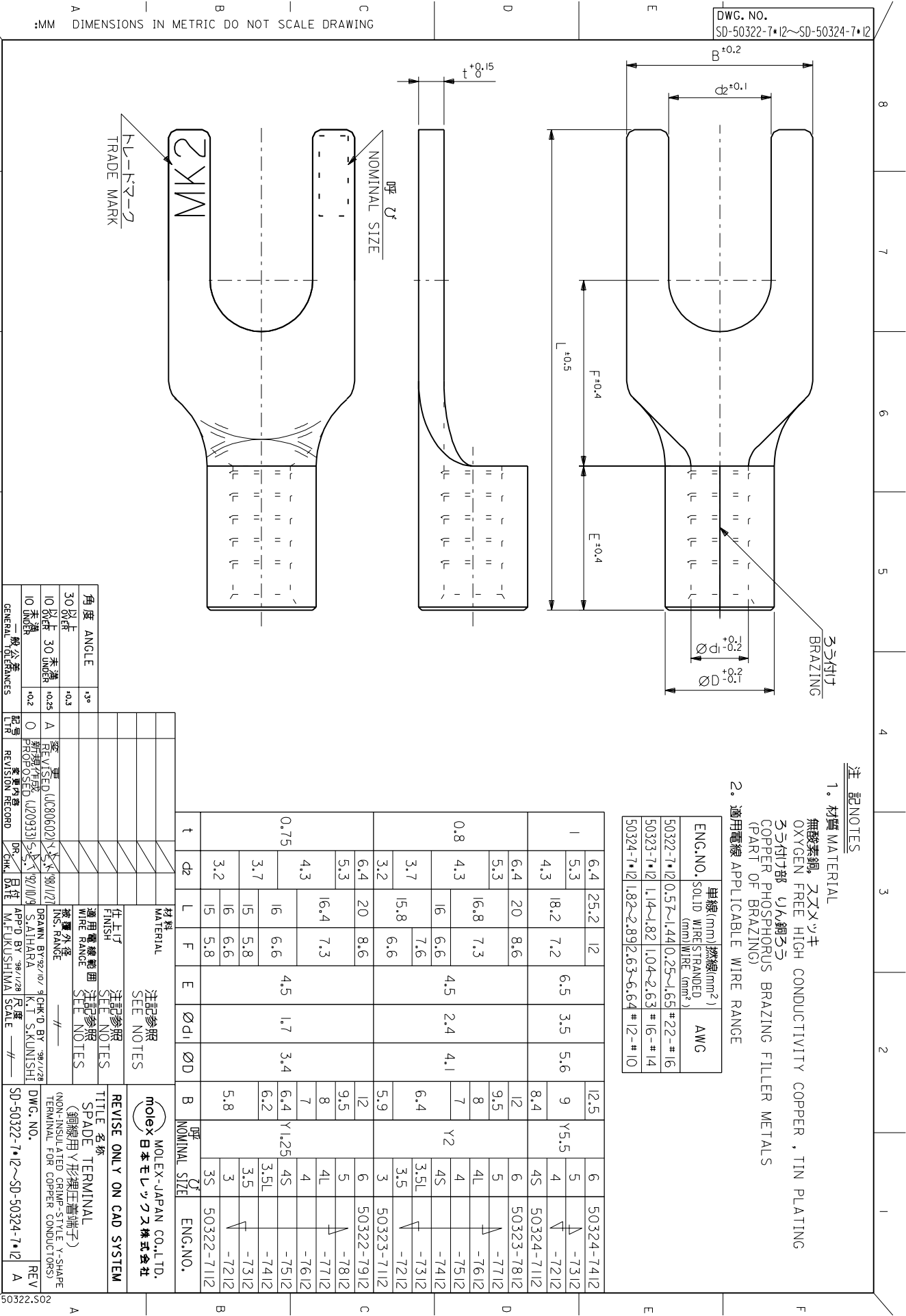
- 材質 MATERIAL  
端子：無酸素銅、錫めっき  
TERMINAL: OXYGEN-FREE COPPER, TIN PLATING  
ろう付け部 リン銅ろう  
COPPER PHOSPHORUS BRAZING FILLER METALS (PART OF BRAZING)
- 適用電線 APPLICABLE WIRE RANGE

| ENG. NO.   | 単線(mm)<br>SOLID WIRE<br>(mm) | 撚線(mm <sup>2</sup> )<br>STRANDED<br>WIRE (mm <sup>2</sup> ) | AWG     |
|------------|------------------------------|---|---------|
| 50322-7*12 | 0.57~1.44                    | 0.25~1.65   | #22-#16 |

|     |     |      |     |     |     |     |     |                    |          |            |
|-----|-----|------|-----|-----|-----|-----|-----|--------------------|----------|------------|
| 0.8 | 4.3 | 16.4 | 7.3 | 4.5 | 1.7 | 3.4 | 7   | Y1.25              | 4        | 50322-7622 |
|     | 6.4 | 20   | 8.6 |     |     |     | 11  |                    | 6        | 50322-7912 |
|     | 5.3 | 16.4 | 7.3 |     |     |     | 9.5 |                    | 5        | 50322-7812 |
|     | 4.3 |      |     |     |     |     | 8   |                    | 4L       | 50322-7712 |
|     | 3.7 | 16   | 6.6 |     |     |     | 7   |                    | 4        | 50322-7612 |
|     |     | 15   | 5.8 |     |     |     | 6.4 |                    | 4S       | 50322-7512 |
|     | 3.2 | 16   | 6.6 |     |     |     | 6.2 |                    | 3.5L     | 50322-7412 |
|     |     | 15   | 5.8 |     |     |     | 5.8 |                    | 3.5      | 50322-7312 |
|     | 3.7 | 15   | 5.8 |     |     |     | 5.7 |                    | 3        | 50322-7212 |
|     |     |      |     |     |     |     |     |                    | 3.5S     | 50322-7012 |
| t   | φd2 | L    | F   | E   | φd1 | φD  | B   | 呼び<br>NOMINAL SIZE | ENG. NO. |            |

|  |                                       |         |  |                   |                              |                        |                        |  |
|--|---------------------------------------|---------|--|-------------------|------------------------------|------------------------|------------------------|--|
| REVISED<br>EC NO: J2007-2944<br>DRW: H.YAJIMA 2007/04/27<br>CHK: K.KASAHARA 2007/05/01<br>APP: NUKITA 2007/05/07 | GENERAL TOLERANCES (UNLESS SPECIFIED) |         | DIMENSION STYLE<br>MM ONLY                                 |                   | SCALE<br>---                 | DESIGN UNITS<br>METRIC | THIRD ANGLE PROJECTION |  |
|  | 10 UNDER                              | ± ---   | DRAWN BY<br>H. YAJIMA                                      | DATE<br>'06/08/24 | TITLE<br>SPADE TERMINAL      |                        |                        |  |
|  | 10 OVER 30 UNDER                      | ± ---   | CHECKED BY<br>K. KASAHARA                                  | DATE<br>'06/08/24 | MATERIAL NO.<br>SEE CHART    |                        |                        |  |
|  | 30 OVER                               | ± ---   | APPROVED BY<br>N. UKITA                                    | DATE<br>'06/08/24 | DOCUMENT NO.<br>SD-50322-001 |                        |                        |  |
|  | ANGULAR                               | ± --- ° | DRAFT WHERE APPLICABLE<br>MUST REMAIN<br>WITHIN DIMENSIONS |                   | SIZE<br>A3                   |                        | SHEET NO.<br>1 OF 1    |  |

MM DIMENSIONS IN METRIC DO NOT SCALE DRAWING



注記NOTES

- 材質 MATERIAL  
無酸素銅、スズメッキ  
OXYGEN FREE HIGH CONDUCTIVITY COPPER, TIN PLATING
- 適用電線 APPLICABLE WIRE RANGE  
ろう付け部 リン銅ろう  
COPPER PHOSPHORUS BRAZING FILLER METALS  
(PART OF BRAZING)

| ENG. NO.   | 単線 (mm) (SOLID WIRE) | 撚線 (mm <sup>2</sup> ) (STRAINED WIRE) | AWG     |
|------------|----------------------|---------------------------------------|---------|
| 50322-7*12 | 0.57~1.44            | 0.25~1.65                             | #22-#16 |
| 50323-7*12 | 1.14~1.82            | 1.04~2.63                             | #16-#14 |
| 50324-7*12 | 1.82~2.89            | 2.63~6.64                             | #12-#10 |

| I    | 6.4 |      | 25.2 |     | 12   |            | 12.5 |     | 6    |            | 50324-7412       |            |
|------|-----|------|------|-----|------|------------|------|-----|------|------------|------------------|------------|
|      | 5.3 | 4.3  | 18.2 | 7.2 | 6.5  | 3.5        | 5.6  | 9   | Y5.5 | 5          | Δ                | -7312      |
| 0.8  | 4.3 | 16.8 | 7.3  | 4.5 | 2.4  | 4.1        | 7    | 8.4 | Y2   | 4          | Δ <th>-7512</th> | -7512      |
|      | 3.7 | 15.8 | 7.6  | 4.5 | 2.4  | 4.1        | 8    | 9.5 | Y2   | 5          | Δ <th>-7712</th> | -7712      |
| 0.75 | 3.2 | 15.8 | 6.6  | 4.5 | 2.4  | 4.1        | 8    | 8.4 | Y2   | 4          | Δ <th>-7512</th> | -7512      |
|      | 3.7 | 16.4 | 7.3  | 4.5 | 1.7  | 3.4        | 7    | 9.5 | Y2   | 5          | Δ <th>-7812</th> | -7812      |
| 3.2  | 6.4 | 20   | 8.6  | 5.9 | 3    | 50323-7112 | 3    | 12  | 6    | 50322-7912 | 6                | 50322-7912 |
|      | 5.3 | 16.4 | 7.3  | 5.9 | 3    | 50323-7112 | 3    | 9.5 | 5    | -7812      | 5                | -7812      |
| 4.3  | 6.4 | 20   | 8.6  | 6.4 | 3.5L | -7312      | 3.5  | 8   | 4L   | -7612      | 4                | -7612      |
|      | 3.7 | 16.4 | 7.3  | 6.4 | 3.5L | -7312      | 3.5  | 7   | 4    | -7512      | 4                | -7512      |
| 3.2  | 6.4 | 20   | 8.6  | 6.4 | 3.5L | -7412      | 3.5L | 6.2 | 3.5L | -7412      | 3.5L             | -7412      |
|      | 5.3 | 16.4 | 7.3  | 6.4 | 3.5L | -7412      | 3.5L | 6.2 | 3.5L | -7412      | 3.5L             | -7412      |
| 4.3  | 6.4 | 20   | 8.6  | 6.4 | 3.5L | -7512      | 3.5L | 6.2 | 3.5L | -7512      | 3.5L             | -7512      |
|      | 3.7 | 16.4 | 7.3  | 6.4 | 3.5L | -7512      | 3.5L | 6.2 | 3.5L | -7512      | 3.5L             | -7512      |
| 3.2  | 6.4 | 20   | 8.6  | 6.4 | 3.5L | -7212      | 3.5L | 6.2 | 3.5L | -7212      | 3.5L             | -7212      |
|      | 5.3 | 16.4 | 7.3  | 6.4 | 3.5L | -7212      | 3.5L | 6.2 | 3.5L | -7212      | 3.5L             | -7212      |

| 角度 ANGLE                | 30°             | 10°             | 10°             | 10°             |
|-------------------------|-----------------|-----------------|-----------------|-----------------|
| 公差 TOLERANCE            | ±0.3            | ±0.25           | ±0.2            | ±0.2            |
| 一般公差 GENERAL TOLERANCES | 未指定 UNSPECIFIED | 未指定 UNSPECIFIED | 未指定 UNSPECIFIED | 未指定 UNSPECIFIED |

| 材料 MATERIAL        | 注記参照 SEE NOTES   |
|--------------------|--|
| 銅線 COPPER WIRE     | 無酸素銅、スズメッキ OXYGEN FREE HIGH CONDUCTIVITY COPPER, TIN PLATING |
| ろう付け部 BRAZING PART | リン銅ろう COPPER PHOSPHORUS BRAZING FILLER METALS                |

| 仕上げ FINISH         | 注記参照 SEE NOTES   |
|--------------------|--|
| 銅線 COPPER WIRE     | 無酸素銅、スズメッキ OXYGEN FREE HIGH CONDUCTIVITY COPPER, TIN PLATING |
| ろう付け部 BRAZING PART | リン銅ろう COPPER PHOSPHORUS BRAZING FILLER METALS                |

| REVISE ONLY ON CAD SYSTEM  | 材料 MATERIAL        | 注記参照 SEE NOTES   |
|--|--------------------|--|
| SPADE TERMINAL (銅線用 Y 形端子)   | 銅線 COPPER WIRE     | 無酸素銅、スズメッキ OXYGEN FREE HIGH CONDUCTIVITY COPPER, TIN PLATING |
| (NON-INSULATED CRIMP-STYLE Y-SHAPE TERMINAL FOR COPPER CONDUCTORS) | ろう付け部 BRAZING PART | リン銅ろう COPPER PHOSPHORUS BRAZING FILLER METALS                |

8 7 6 5 4 3 2 1

THIS DRAWING CONTAINS INFORMATION THAT IS PROPRIETARY TO MOLEX(JAPAN) AND SHOULD NOT BE USED WITHOUT WRITTEN PERMISSION  
本図面は日本モリス(株)の所有する情報を含むもので、当社の許可なく複製を禁止する。

EN-01C0323MXJ-32