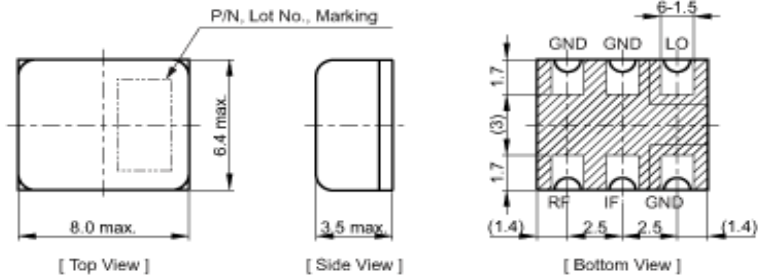


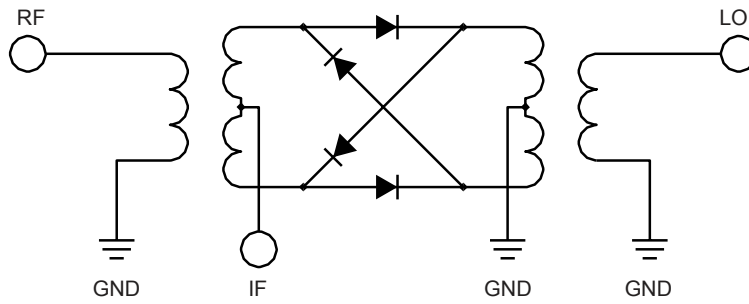
Double Balanced Mixers DBM 9A Series

Dimensions

Unit:mm



Schematics



Rating

Style No.	Frequency Range [MHz]	Max. Input Power [mW]	Conversion Loss [dB]	Isolation [dB]	IM3	Working Temp. Range [°C]
9A41 (2L)	R,L: 10 ~ 500 MHz I: DC ~ 500 MHz	200 max.	7.5 max.	L - R 30 dB min. L - I 30 dB min.	-71 dBm (Typ.)	-30 ~ +85
9A42 (1L)	R,L: 300 ~ 650 MHz I: DC ~ 300 MHz	200 max.	7.5 max.	L - R 30 dB min. L - I 20 dB min.	-66 dBm (Typ.)	-30 ~ +85
9A43 (4L)	R,L: 500 ~ 1000 MHz I: DC ~ 300 MHz	200 max.	8.5 max.	L - R 20 dB min. L - I 15 dB min.	-62 dBm (Typ.)	-30 ~ +85
Note	-	-	LO: +7 dBm	LO: +7 dBm LO: +7 dBm	LO: +7 dBm	-

www.DataSheet4U.com