

Ferrule

GBH, GBH-V 500V 10-30A



Electrical Characteristics				Ordering Information				Dimensions	Curves
Size	Rated Current RMS-Amps	I ² t (A ² S)		Watts Loss	Part Number	Carton Qty.	Carton Weight (kg)	Figure Number	See Page or (BIF #)
		Pre-arc	Clearing at 500V						
6 x 32mm (1/4" x 1 1/4")	10	19	51	—	GBH-010A6F	5	0.03	Fig. 1	Page 2
	12.5	20	60	3.53	GBH-12.5A6F				
	15	44	146	3.08	GBH-015A6F				
	16	48	177	4.48	GBH-016A6F				
	20	75	259	4.26	GBH-020A6F				
	25	126	345	—	GBH-025A6F				
	30	145	430	—	GBH-030A6F				
	10	19	51	—	† GBH-V-010A6F	4	0.03	Fig. 2	Page 2
	12.5	20	—	3.53	† GBH-V-12.5A6F				
	15	44	146	3.08	† GBH-V-015A6F				
	16	48	177	4.48	GBH-V-016A6F				
	20	75	259	4.26	GBH-V-020A6F				
	25	126	345	—	† GBH-V-025A6F				
	30	145	430	—	† GBH-V-030A6F				

† Consult Bussmann For UL Recognitions

1 kg = 2.2 lbs. 1 lb = 0.45 kg

- 10-30A 200% minimum opening current at rated voltage.
- Interrupting rating: 10-30A 5kA at ≥ 20% pf
- Consult Bussmann for DC ratings.
- Cold Ohm Resistance @ 25°C

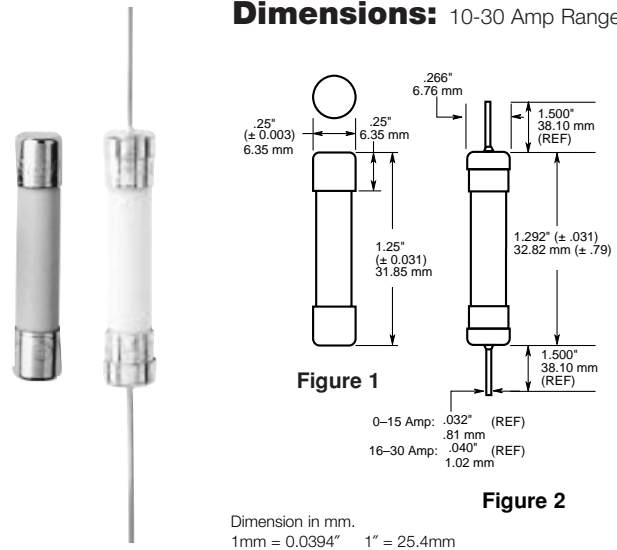
GBH & GBH-V - 010A6F	0.01450 - 0.01670	OHMS
12.5A6F	0.01110 - 0.01360	OHMS
15A6F	0.00861 - 0.00927	OHMS
16A6F	0.00761 - 0.00913	OHMS
20A6F	0.00605 - 0.00690	OHMS
25A6F	0.00482 - 0.00575	OHMS
30A6F	0.00417 - 0.00461	OHMS

- TUBE: CORDIERITE
- PACKAGE DIMENSIONS FOR GBH:
1.37" x 1.57" x 0.32" (34.9mm x 39.8mm x 8.2mm)
- CAPS: CARTRIDGE BRASS
BRIGHT NICKEL PLATE
- FILE: E56412
- GUIDE: JFHR2
- SUGGESTED HOLDERS FOR GBH:
SERIES 8000, No. 2499, No. 4405,
No. 4406, No. 4574
- (TRADEMARK)



- GBH-V: 1. CAP AND LEAD ASSEMBLY MUST WITHSTAND A PULL FORCE OF 5 lbs. MINIMUM.
2. AVAILABLE IN BULK QUANTITIES OF 3000-IN.
EXAMPLE CATALOG SYMBOL: BK3/GBH-V 020A6F

Dimensions: 10-30 Amp Range



Blow Times

Current Ratings	150%	200%	300%
10-30A	< 30 min.	< 30 min.	≤ 10 sec.

CE CE logo denotes compliance with European Union Low Voltage Directive (50-1000 Vac, 75-1500 Vdc). Refer to BIF document #8002 or contact Bussmann Application Engineering at 636-527-1270 for more information.

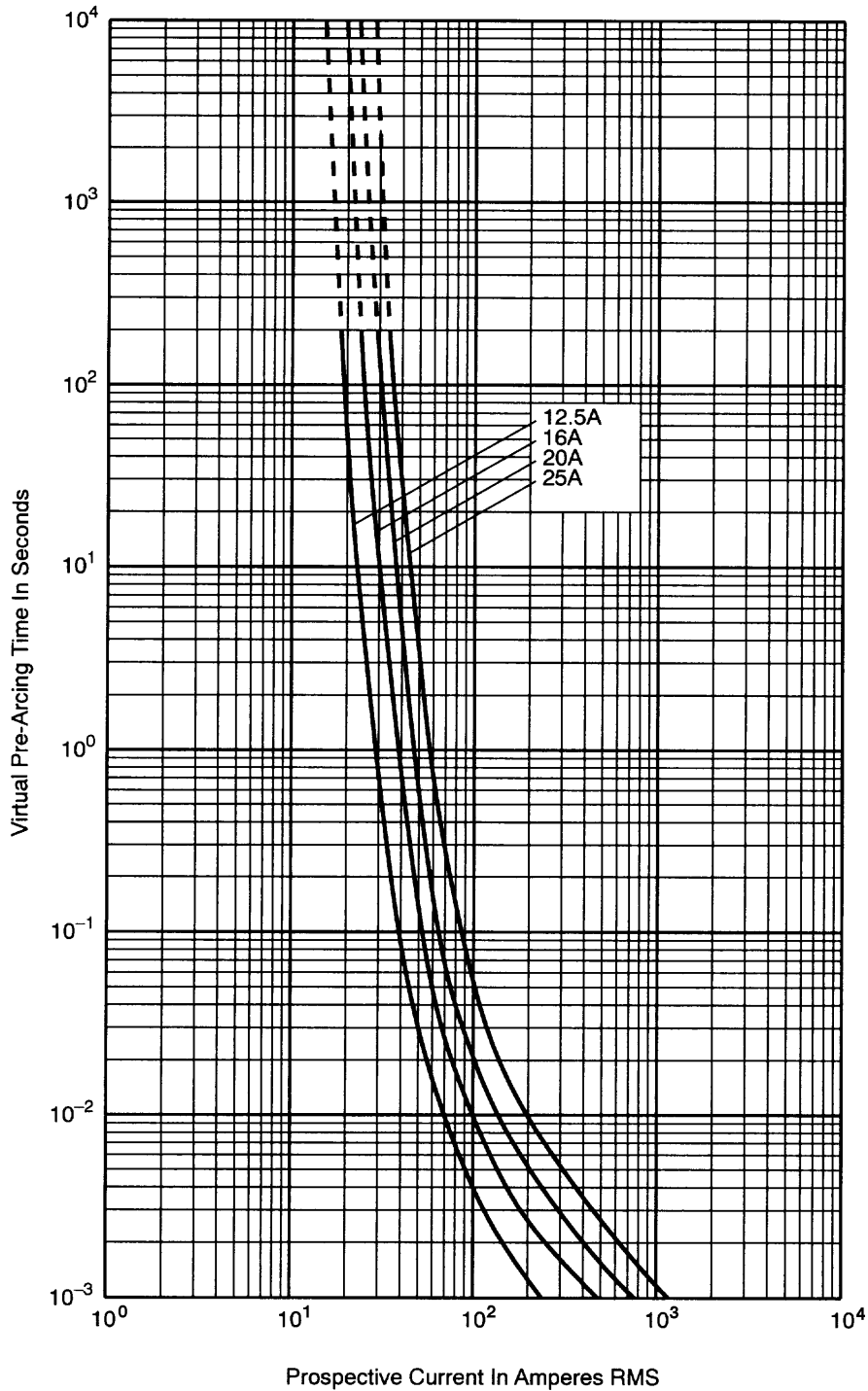
The only controlled copy of this BIF document is the electronic read-only version located on the Bussmann Network Drive. All other copies of this document are by definition uncontrolled. This bulletin is intended to clearly present comprehensive product data and provide technical information that will help the end user with design applications. Bussmann reserves the right, without notice, to change design or construction of any products and to discontinue or limit distribution of any products. Bussmann also reserves the right to change or update, without notice, any technical information contained in this bulletin. Once a product has been selected, it should be tested by the user in all possible applications.

Ferrule

GBH, GBH-V 500V 10-30A



Pre-Arcing Time-Current Characteristic Curve



The only controlled copy of this BIF document is the electronic read-only version located on the Bussmann Network Drive. All other copies of this document are by definition uncontrolled. This bulletin is intended to clearly present comprehensive product data and provide technical information that will help the end user with design applications. Bussmann reserves the right, without notice, to change design or construction of any products and to discontinue or limit distribution of any products. Bussmann also reserves the right to change or update, without notice, any technical information contained in this bulletin. Once a product has been selected, it should be tested by the user in all possible applications.