

# LH57256/J

CMOS 256K (32K × 8) OTPROM/EPROM

## FEATURES

- 32,768 × 8 bit organization
- Access times:  
LH57256J: 120/150 ns  
LH57256: 150 ns
- Single +5 V power supply
- High speed programming:  
 $t_{pw} = 0.1 \text{ ms}$  ( $V_{PP} = 12.75 \text{ V}$ ) or  
 $t_{pw} = 1 \text{ ms}$  ( $V_{PP} = 12.5 \text{ V}$ )  
Compatible to INTEL quick pulse programming™ algorithm (4 second programming)
- Low power consumption :  
Operating: 165 mW (MAX.)  
Standby: 550  $\mu\text{W}$  (MAX.)
- Fully static operation
- Three-state outputs
- TTL compatible I/O
- Pin compatible with i27256
- Packages:  
EPROM  
28-pin, 600-mil Cerdip  
OTPROM  
28-pin, 600-mil Dip  
28-pin, 300-mil SK-Dip  
28-pin, 450-mil Sop
- JEDEC standard pinout (Cerdip/Dip)

## DESCRIPTION

The LH57256J is a CMOS UV erasable and electrically programmable read-only-memory organized as 32,768 × 8 bits. It is pin compatible with the Intel i27256, and designed to have fast access time.

The LH57256 is a one-time PROM packaged in plastic DIP.

## PIN CONNECTIONS

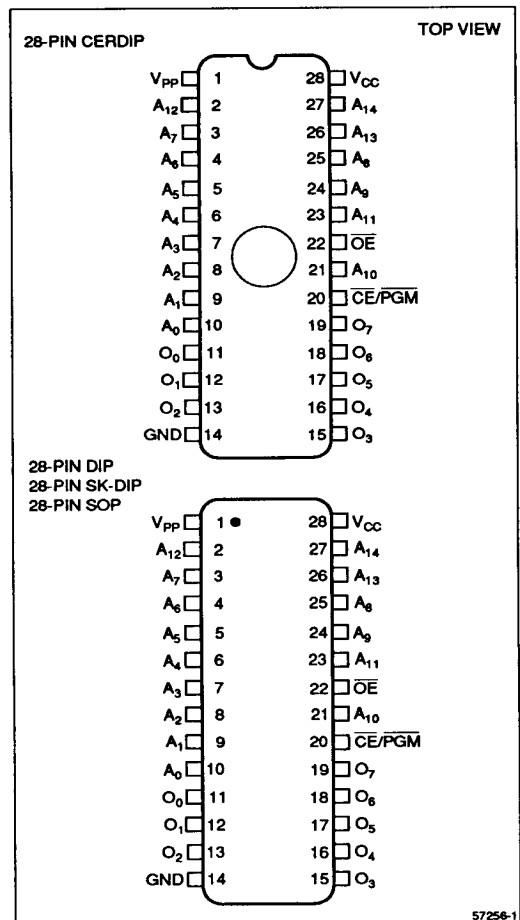


Figure 1. Pin Connections for CERDIP, DIP, SK-DIP, and SOP Packages

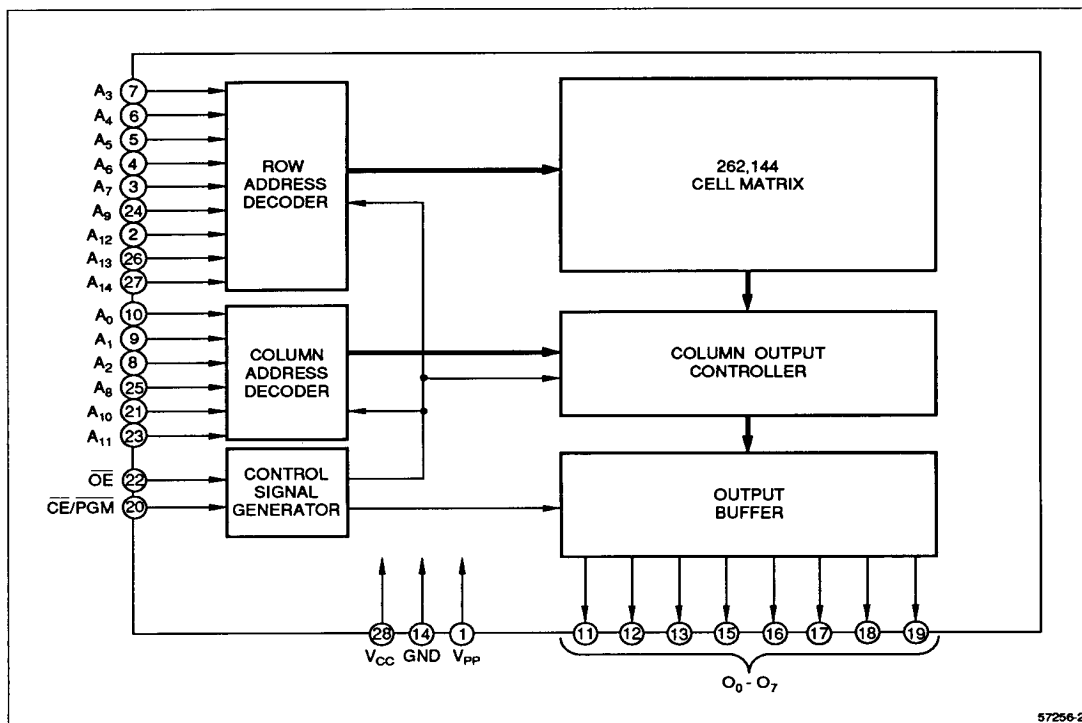


Figure 2. LH57256/J Block Diagram

## PIN DESCRIPTION

SIGNAL	PIN NAME	NOTE
A <sub>0</sub> - A <sub>14</sub>	Address input	
O <sub>0</sub> - O <sub>7</sub>	Data output (input)	1
$\overline{\text{CE/PGM}}$	Chip Enable/Program input	
$\overline{\text{OE}}$	Output Enable input	

SIGNAL	PIN NAME	NOTE
V <sub>PP</sub>	Program power	
V <sub>CC</sub>	Power supply	
GND	Ground	

## NOTE:

- O<sub>0</sub> - O<sub>7</sub> pins are also used to input data to the column output controller through input buffers in programming mode.

## TRUTH TABLE

MODE		O <sub>0</sub> - O <sub>7</sub>	$\overline{\text{CE/PGM}}$	$\overline{\text{OE}}$	V <sub>CC</sub>	V <sub>PP</sub>
Read	Read	Data out	L	L	+5 V	+5 V
	Output disable	High-Z	L	H	+5 V	+5 V
	Standby	High-Z	H	X	+5 V	+5 V
Program	Program	Data in	L	H	+6.25 V	+12.75 V
	Program verify	Data out	H	L	+6.25 V	+12.75 V
	Program inhibit	High-Z	H	H	+6.25 V	+12.75 V

## NOTE:

X = H or L, H = V<sub>IH</sub>, L = V<sub>IL</sub>

**ABSOLUTE MAXIMUM RATING**

PARAMETER	SYMBOL	RATING	UNIT	NOTE
Supply voltage	V <sub>CC</sub>	-0.6 to +7.0	V	1
	V <sub>PP</sub>	-0.6 to +13.5		
	V <sub>IN</sub> , V <sub>OUT</sub>	-0.6 to +7.0		
Operating temperature	T <sub>opr</sub>	0 to +70	°C	
Storage temperature	T <sub>stg</sub>	-65 to +150	°C	2
		-55 to +150		3

**NOTES:**

- The maximum applicable voltage on any pin with respect to GND.  
Maximum ratings are those values beyond which damage to the device may occur.
- Applied to ceramic package.
- Applied to plastic package.

**RECOMMENDED OPERATING CONDITIONS (Read Mode) (T<sub>A</sub> = 0 to +70°C)**

PARAMETER	SYMBOL	MIN.	TYP.	MAX.	UNIT
Supply voltage	V <sub>CC</sub>	4.5	5.0	5.5	V
	V <sub>PP</sub>	4.5	5.0	5.5	
Input "Low" voltage	V <sub>IL</sub>	-0.1		0.8	V
Input "High" voltage	V <sub>IH</sub>	2.2		V <sub>CC</sub> +0.3	V

**DC CHARACTERISTICS (Read Mode) (V<sub>CC</sub> = 5 V ± 10%, V<sub>PP</sub> = V<sub>CC</sub>, T<sub>A</sub> = 0 to +70°C)**

PARAMETER	SYMBOL	CONDITIONS	MIN.	TYP.	MAX.	UNIT	NOTE
Input "Low" voltage	V <sub>IL</sub>		-0.1		0.8	V	
Input "High" voltage	V <sub>IH</sub>		2.2		V <sub>CC</sub> +0.3	V	
Output "Low" voltage	V <sub>OL</sub>	I <sub>OL</sub> = 2.1 mA			0.45	V	
Output "High" voltage	V <sub>OH</sub>	I <sub>OH</sub> = -400 μA	2.4			V	
Input leakage current	I <sub>LI</sub>	V <sub>IN</sub> = GND or V <sub>CC</sub>	-10		10	μA	
Output leakage current	I <sub>LO</sub>	V <sub>OUT</sub> = GND or V <sub>CC</sub>	-10		10	μA	
V <sub>CC</sub> operating current	I <sub>CC1</sub>	$\overline{CE}/\overline{PGM} = \text{GND} \pm 0.3 \text{ V}$			30	mA	1, 2
	I <sub>CC2</sub>	$\overline{CE}/\overline{PGM} = V_{IL}$			30	mA	1, 3
V <sub>PP</sub> supply current	I <sub>PP</sub>	V <sub>PP</sub> = V <sub>CC</sub>			100	μA	
V <sub>PP</sub> pin voltage	V <sub>PP</sub>		V <sub>CC</sub> - 0.4		V <sub>CC</sub>	V	
V <sub>CC</sub> standby current	I <sub>SB1</sub>	$\overline{CE}/\overline{PGM} = V_{CC} \pm 0.3 \text{ V}$			100	μA	
	I <sub>SB2</sub>	$\overline{CE}/\overline{PGM} = V_{IH}$			2	mA	

**NOTES:**

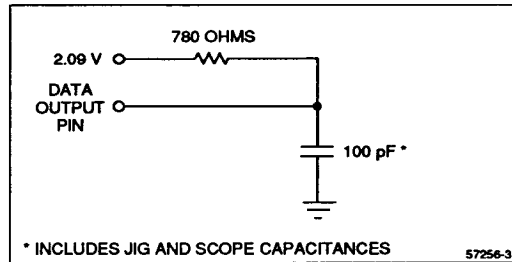
- Minimum cycle time, I<sub>OUT</sub> = 0 mA
- CMOS level: V<sub>IN</sub> = GND ± 0.3 V or V<sub>CC</sub> ± 0.3 V
- TTL level: V<sub>IN</sub> = V<sub>IL</sub> or V<sub>IH</sub>

**AC CHARACTERISTICS (Read Mode) ( $V_{CC} = V_{PP} = 5\text{ V} \pm 10\%$ ,  $T_A = 0\text{ to }+70^\circ\text{C}$ )**

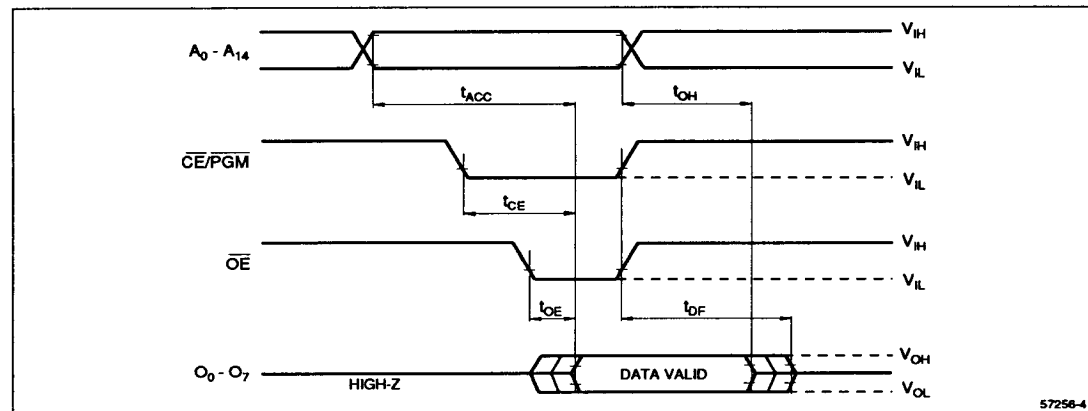
PARAMETER	SYMBOL	LH57256J-12		LH57256J-15 LH57256-15		UNIT
		MIN.	MAX.	MIN.	MAX.	
Address to output delay	$t_{ACC}$		120		150	ns
$\overline{CE}$ to output delay	$t_{CE}$		120		150	ns
$\overline{OE}$ to output delay	$t_{OE}$		25		30	ns
Output enable high to output float	$t_{DF}$	0	25	0	30	ns
Address to output hold	$t_{OH}$	0		0		ns

**AC TEST CONDITIONS**

PARAMETER	MODE
Input voltage amplitude	0.45 V to 2.4 V
Input rise/fall time	$\leq 10\text{ ns}$
Input reference level	1 V, 2 V
Output reference level	0.8 V, 2 V


**Figure 4. Output Load Circuit**
**CAPACITANCE ( $T_A = 25^\circ\text{C}$ ,  $f = 1\text{ MHz}$ )**

PARAMETER	SYMBOL	CONDITIONS	MIN.	TYP.	MAX.	UNIT
Input capacitance	$C_{IN}$	$V_{IN} = 0\text{ V}$		4	6	pF
Output capacitance	$C_{OUT}$	$V_{OUT} = 0\text{ V}$		8	12	pF


**Figure 3. Timing Diagram (Read Mode)**

**RECOMMENDED OPERATING CONDITIONS (Program Mode) ( $T_A = 25^\circ\text{C} \pm 5^\circ\text{C}$ )**

PARAMETER	SYMBOL	MIN.	TYP.	MAX.	UNIT
Supply voltage	$V_{CC}$	5.75	6.25	6.5	V
	$V_{PP}$	12.2	12.75	13.0	
Input "Low" voltage	$V_{IL}$	-0.1		0.45	V
Input "High" voltage	$V_{IH}$	2.4		$V_{CC} + 0.3$	V

**DC CHARACTERISTICS (Program Mode)****( $V_{CC} = 5.75\text{ V to }6.5\text{ V}$ ,  $V_{PP} = 12.2\text{ V to }13\text{ V}$ ,  $T_A = 25^\circ\text{C} \pm 5^\circ\text{C}$ )**

PARAMETER	SYMBOL	CONDITIONS	MIN.	TYP.	MAX.	UNIT
Input leakage current	$I_{LI}$	$V_{IN} = V_{CC}$ or $0.45\text{ V}$	-10		10	$\mu\text{A}$
$V_{CC}$ supply current	$I_{CC}$				30	mA
$V_{PP}$ supply current	$I_{PP}$	$\overline{\text{CE/PGM}} = V_{IL}$			30	mA
Input "Low" voltage	$V_{IL}$		-0.1		0.45	V
Input "High" voltage	$V_{IH}$		2.4		$V_{CC} + 0.3$	V
Output "Low" voltage	$V_{OL}$	$I_{OL} = 2.1\text{ mA}$			0.45	V
Output "High" voltage	$V_{OH}$	$I_{OH} = -400\ \mu\text{A}$	2.4			V

**AC CHARACTERISTICS (Program mode)****( $V_{CC} = 6.25\text{ V} \pm 0.25\text{ V}$ ,  $V_{PP} = 12.75\text{ V} \pm 0.25\text{ V}$ ,  $T_A = 25^\circ\text{C} \pm 5^\circ\text{C}$ )**

PARAMETER	SYMBOL	MIN.	TYP.	MAX.	UNIT	NOTE
Address setup time	$t_{AS}$	2			$\mu\text{s}$	
Data setup time	$t_{DS}$	2			$\mu\text{s}$	
Output enable setup time	$t_{OES}$	2			$\mu\text{s}$	
Address hold time	$t_{AH}$	0			$\mu\text{s}$	
Data hold time	$t_{DH}$	2			$\mu\text{s}$	
Output enable time	$t_{OE}$			150	ns	
Output disable time	$t_{DF}$	0		150	ns	
$V_{PP}$ setup time	$t_{VPS}$	2			$\mu\text{s}$	
$V_{CC}$ setup time	$t_{VCS}$	2			$\mu\text{s}$	
Program pulse width	$t_{PW}$	95	100	105	$\mu\text{s}$	1,2
Program pulse count	N	1		25	TIMES	

**NOTES:**

- Programmable under conditions of add. program pulse count 3-N,  $V_{CC} = 6\text{ V} \pm 0.25\text{ V}$ ,  $V_{PP} = 12.5\text{ V} \pm 0.3\text{ V}$ ,  $t_{pw} = 1\text{ ms} \pm 0.05\text{ ms}$
- This width is defined by the Program Flowchart (Figure 6).

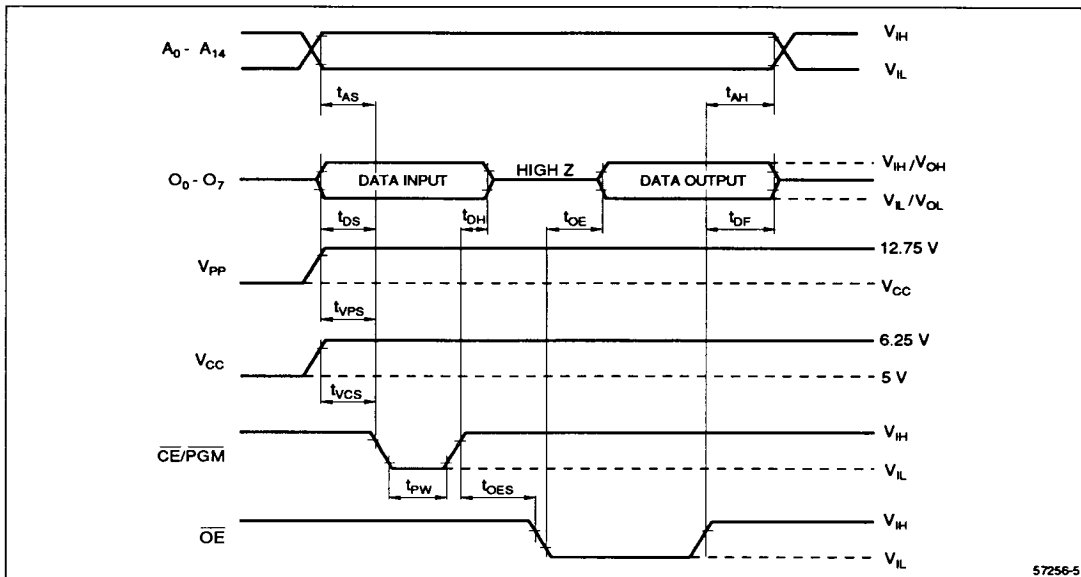


Figure 5. Timing Diagram (Program Mode)

## PROGRAMMING

Upon delivery from SHARP or after each erasure (see erasure section), the LH57256 and LH57256J have all 32,768 × 8 bits in the "1", or high state. "0's" are loaded into the LH57256 and LH57256J through the procedure of programming.

The programming mode is entered when +12.75 V is applied to the V<sub>PP</sub> pin and  $\overline{\text{CE/PGM}}$  is at V<sub>IL</sub>. A 0.1 μF capacitor between V<sub>PP</sub> and GND is needed to prevent excessive voltage transients, which could damage the device. The address to be programmed is applied to the proper address pins. 8-bit patterns are placed on the respective data pins. The voltage levels should be standard TTL levels.

## ERASURE

In order to clear all locations of their programmed contents, it is necessary to expose the LH57256J to an ultra-violet light source. A dosage of 15 W-second/cm<sup>2</sup> is required to completely erase an LH57256J. This dosage can be obtained by exposure to an ultra-violet lamp (wave-length of 2,537 Angstroms (Å)) with intensity of 12,000 μW/cm<sup>2</sup> for 20 to 30 minutes. The LH57256J should be about one inch from the source and all filters should be removed from the UV light source prior to erasure.

It is important to note that the LH57256J and similar devices will erase with light sources having wave-length

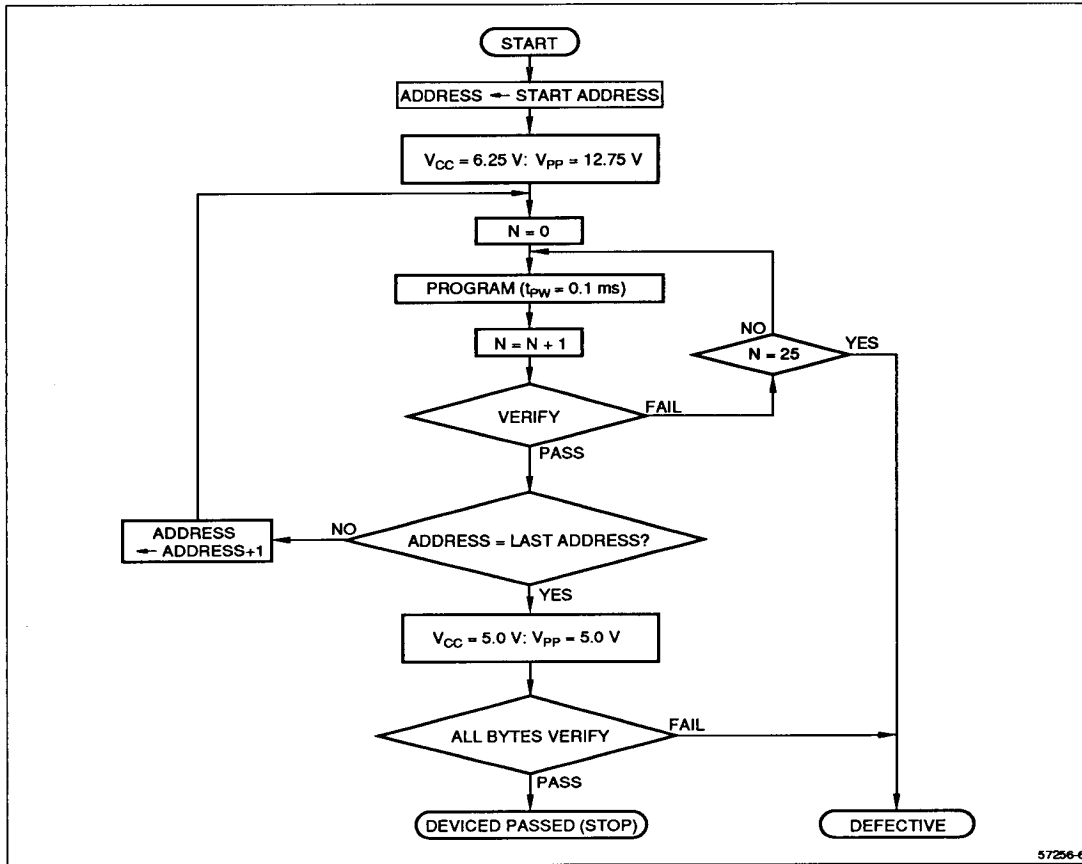
shorter than 4,000 Å. Although erasure times will be much longer than with UV sources at 2,537 Å, the exposure to fluorescent light and sunlight will eventually erase the LH57256J and exposure to them should be prevented to realize maximum system reliability. If used in such an environment, the package windows should be covered by an opaque label or substance.

## CAUTION

Fluorescent light and sunlight contain UV rays which will erase the EPROM. To prevent deterioration of EPROM data due to UV rays, it is recommended that EPROMs should not be left under direct sunlight or fluorescent light, or the package window should be covered with an opaque material.

Care must be taken to avoid friction between package window and plastics or the like, as the resulting static-electric build-up may cause faulty operation.

1. V<sub>CC</sub> must be applied either coincidentally or before V<sub>PP</sub> and removed either coincidentally or after V<sub>PP</sub>.
2. V<sub>PP</sub> must not be greater than 13.5 volts including overshoot.
3. During  $\overline{\text{CE}} = \overline{\text{PGM}} = \text{V}_{\text{IL}}$ , V<sub>PP</sub> must not be switched from V<sub>CC</sub> to 12.75 volts or vice-versa.
4. Removing or inserting the device while 12.75 volts is supplied may harm the reliability of the device.



57256-6

Figure 6. Programming Flowchart  
 (V<sub>CC</sub> = 6.25 V, V<sub>PP</sub> = 12.75 V, t<sub>pw</sub> = 0.1 ms)

ORDERING INFORMATION

LH57256 Device Type	X Package	- ## Speed
		{ 12 120 * Access Time (ns) { 15 150
		{ OTPROM { Blank 28-pin, 600-mil DIP (DIP28-P-600) { D 28-pin, 300-mil SK-DIP (DIP28-P-300) { N 28-pin, 450-mil SOP (SOP28-P-450) { EPROM { J 28-pin, 600-mil CERDIP (WDIP28-G-600)
		CMOS 256K (32K x 8) OTPROM/EPROM
		* EPROM Only
		Example: LH57256N-15 (CMOS 256K (32K x 8) OTPROM, 150 ns, 28-pin, 450-mil SOP)

57256-7