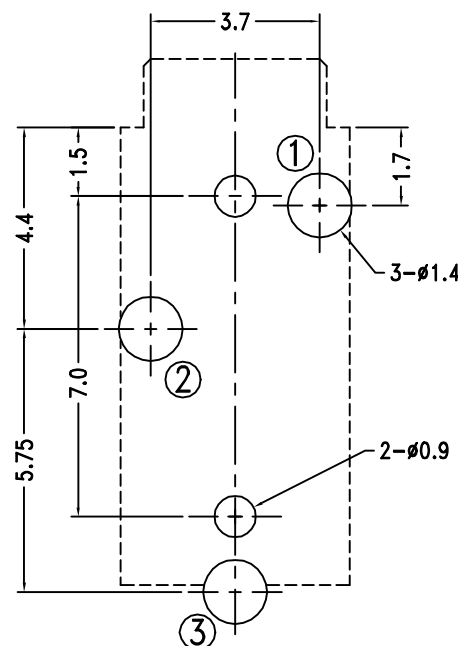


Recommended PCB Layout
(Bottom View)



Alternate PCB Layout
(Bottom View)

Materials and Finish

Housing: PBT Thermoplastic
UL 94V-0 Rated

Terminals: Copper Alloy,
10-15u" Silver over
100u" Nickel plating

Mechanical Characteristics

Insertion Force:
0.4kg - 2.0kg

Extraction Force:
0.3kg - 2.0kg

Durability: 5000 mating cycles

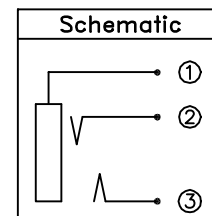
Electrical Characteristics

Contact Resistance:
Before Test: 30mohms Max.
After Durability Test:
60 mohms Max.

Insulation Resistance:
More than 100 Megohms
at 250V DC

Dielectric Strength:
250V AC RMS for 1 minute

Operating Temp:
-25°C to +80°C



Schematic

Tolerances

X.X ±0.2
X.XX ±0.1
ANG. ±2°

Unless Stated
Otherwise

CSA NRTL/C Certified File No. LR78160

REVISION	DATE	DESCRIPTION	DRAWN BY	DESIGNED BY	UNITS
B	4/28/98	New Design	C. Leiva		mm
C1	6/3/99	Mod Lead Length	CHECKED BY	APPROVED BY	DATE
C2	4/9/01	ref. ECD #01-067			4/6/98

ST-2000-3N

Stereo Jack

All Plastic Body, Rt. Ang., Through-Hole type

