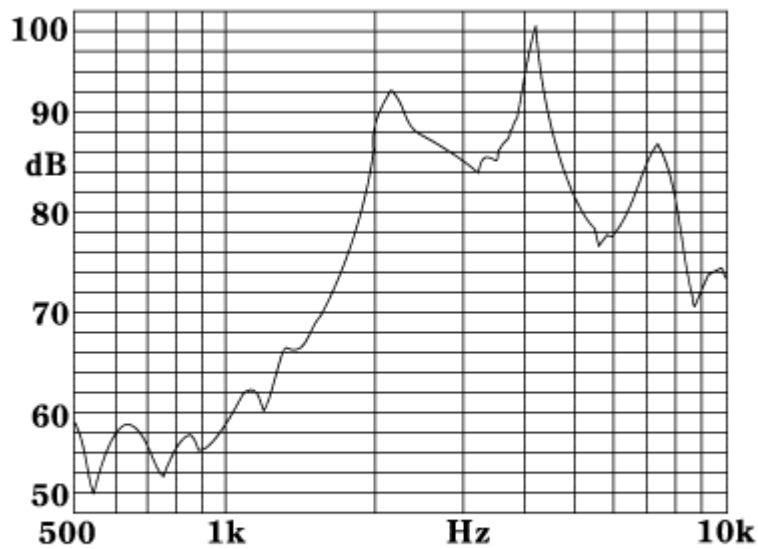
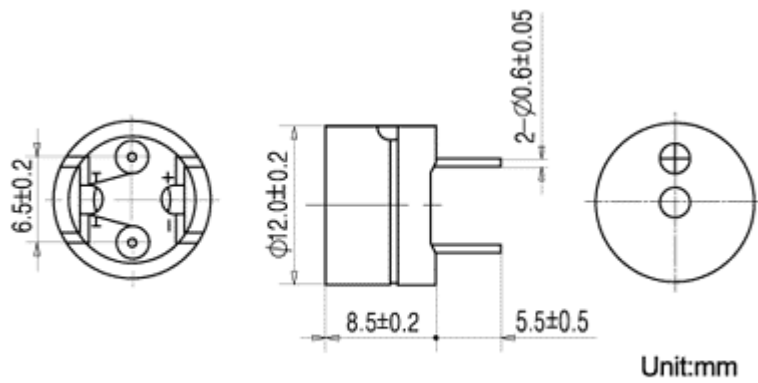




Type	BMT12-1P	BMT12-2P	BMT12-3P
Rated Voltage(V)	1.5		
Operating Voltage(V)	1~2		
◆Rated Current(mA)	< 30	< 10	
Coil Resistance( $\Omega$ )	16 $\pm$ 4	42 $\pm$ 6	50 $\pm$ 7.5
◇Coil Impedance( $\Omega$ )	40	120	140
◆Sound Output at 10cm(dB)	> 85	> 80	
Resonant Frequency(Hz)	2048		
Operating Temperature( $^{\circ}$ C)	-25~+70		
Storage Temperature( $^{\circ}$ C)	-30~+85		
Weight(g)	2		

◆ Value applying rated voltage(2048Hz,1/2 duty,square wave)  
 ◇ Value applying(2000Hz,sine wave,measuring current60 $\mu$ A)



Applied voltage:1.5V,1/2 duty,square wave  
 Distance for measurement:10cm