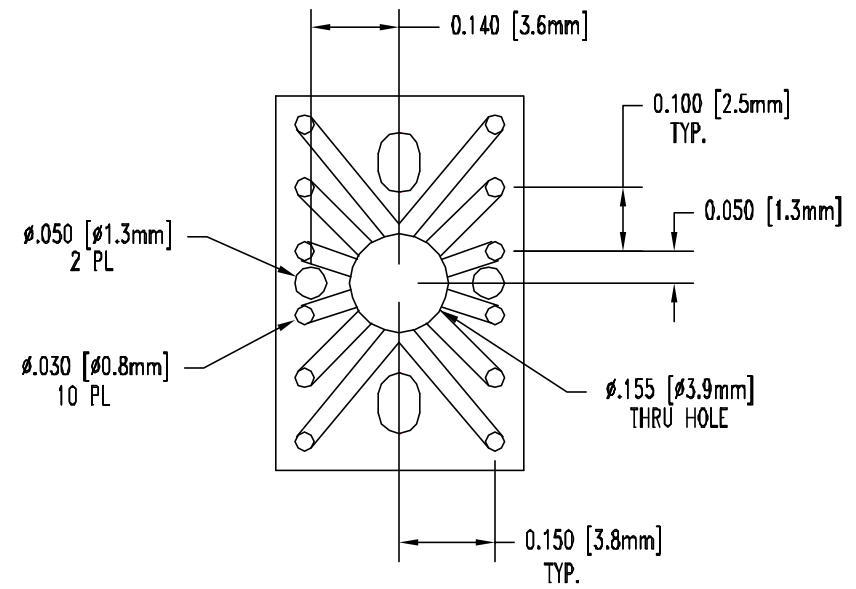
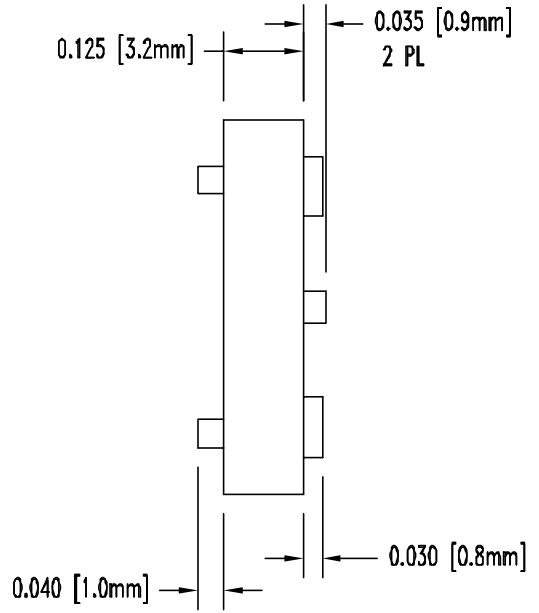
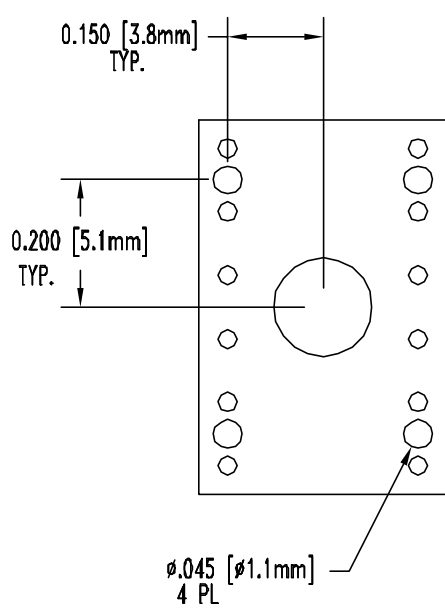



REV	DESCRIPTION	DATE	APPROVED
A	ENGINEERING RELEASE.	05/30/03	MC



2. MATERIAL: NYLON 6/6, 94V-2, NATURAL. (0% REGRIND ALLOWED)
 BASF ULTRAMID NYLON 6/6 A3K NATURAL. BIVAR MATERIAL CODE 03-NL.
1. GENERAL SPECIFICATIONS: BIVAR MOLDED COMPONENT SPECIFICATION BV00-E101.

UNLESS OTHERWISE SPECIFIED: DIMENSIONS ARE IN INCHES		TOLERANCES		 4 THOMAS, IRVINE, CA.92618 TEL: (949) 961-8808 FAX: (949) 961-3874	
DECIMALS	ANGULAR	DECIMALS	ANGULAR		
.X ± .1	° ± 1°	.XX ± .01		PART NAME: IC SPREADER 10 PIN SIZE A DWG NAME DWG NO. 812-187 REV A	
.XXX ± .005					
DESIGNER DAVID GREEN	DATE 05/30/03	CHECKER M CHEN	DATE 05/30/03	SCALE 1=1	CAGE CODE 32559
				SHEET 1 OF 1	