

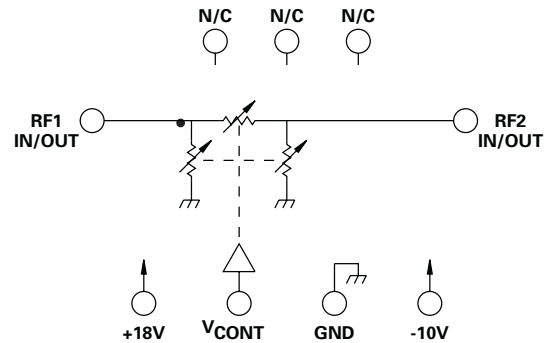
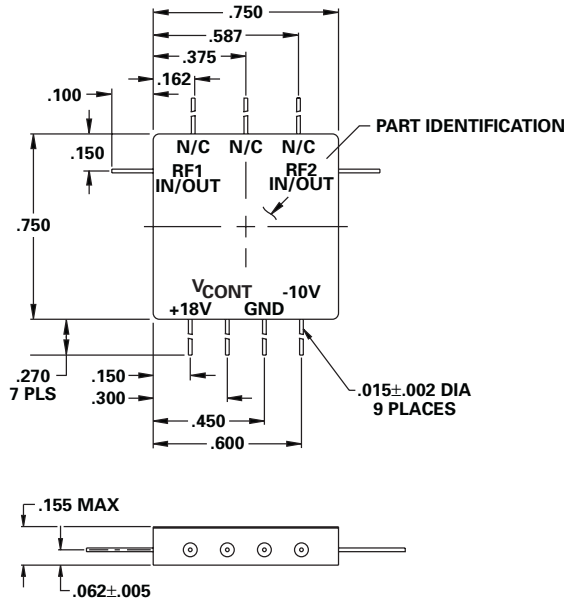
MODEL NUMBER CATV8068

PIN Diode VCA

FEATURES

- 10.95-12.75 GHz
- Space Application
- Hermetic Package
- Radiation Tolerant, 100 K Rad
- Surface Mount

VCA



XX = .02
XXX = .010

GUARANTEED PERFORMANCE

| Parameter | Min | Typ | Max | Units | Conditions |
|------------------------------|-------|-----------|----------|-------|--|
| Operating Frequency | 10.95 | | 12.75 | GHz | |
| DC Current | | | 10 10 | mA | At +18 VDC Supply At -10 VDC Supply |
| Control Type | | TTL | | | Load Factor 1 Logic "0" = Isolation Logic "1" = Thru |
| Control | 0 | | 5 | V | Of Turn |
| Insertion Loss | | 1.3 | 2.0 | dB | |
| VSWR | | 1.3/1 | 2.0/1 | | Input / Output |
| Impedance | | 50 | | OHMS | |
| Attenuation Range | 14.5 | 16 | | dB | |
| Flatness | | | | | |
| Amplitude Stability | | | | | |
| Attenuation Linearity | | | | | |
| Switching Speed | | | | µSec | |
| Transition (Rise/Fall) Time | | | | | |
| Switching (Video) Transients | | | | | |
| Intercept Points | | 3rd +14.5 | | dBm | |
| RF Power | | | | dBm | Operate |
| | | | | dBm | No Damage |
| Operating Temperature | -35 | +25 | +75 | °C | TA |

TYPICAL PERFORMANCE at 25°C

