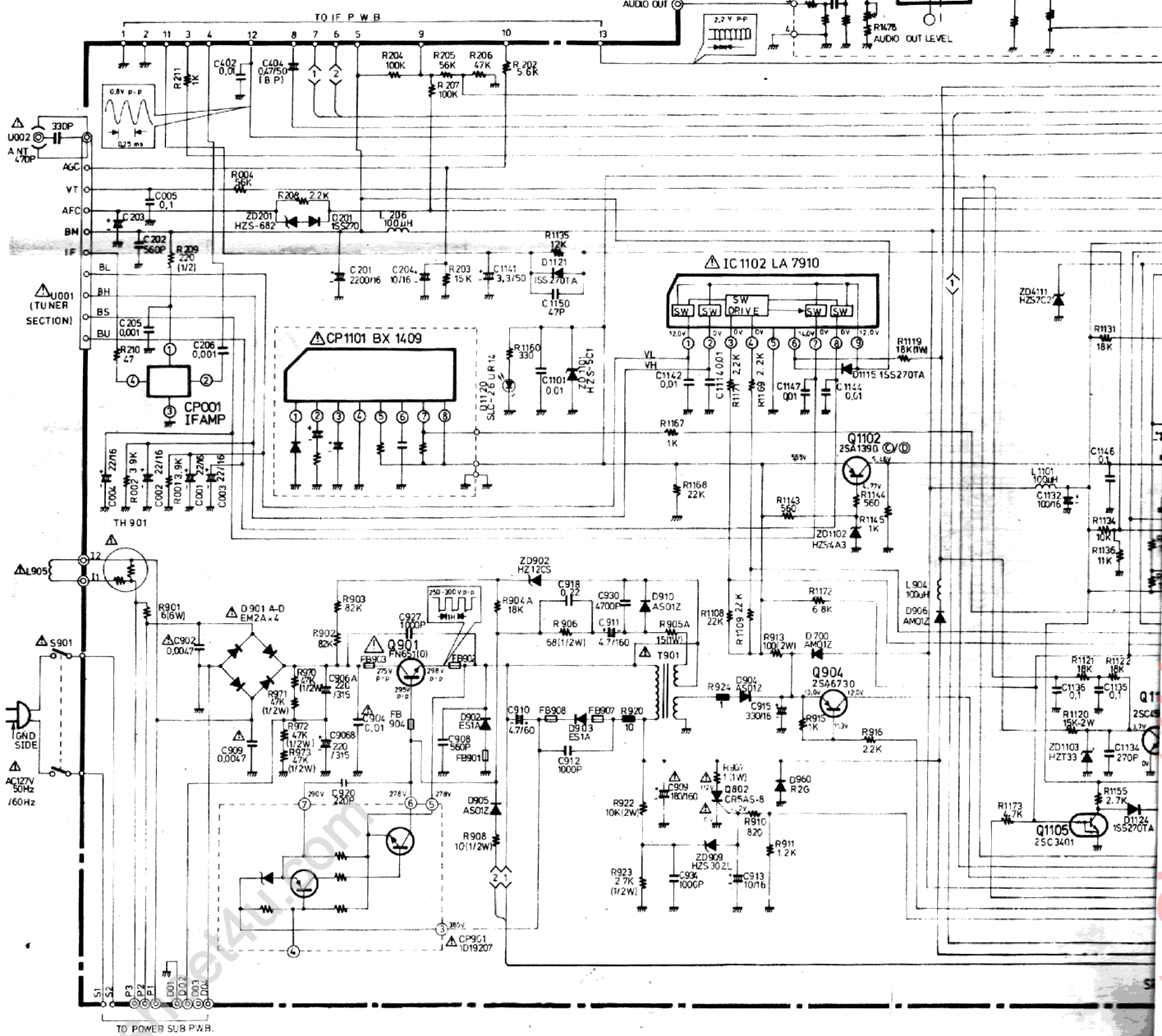
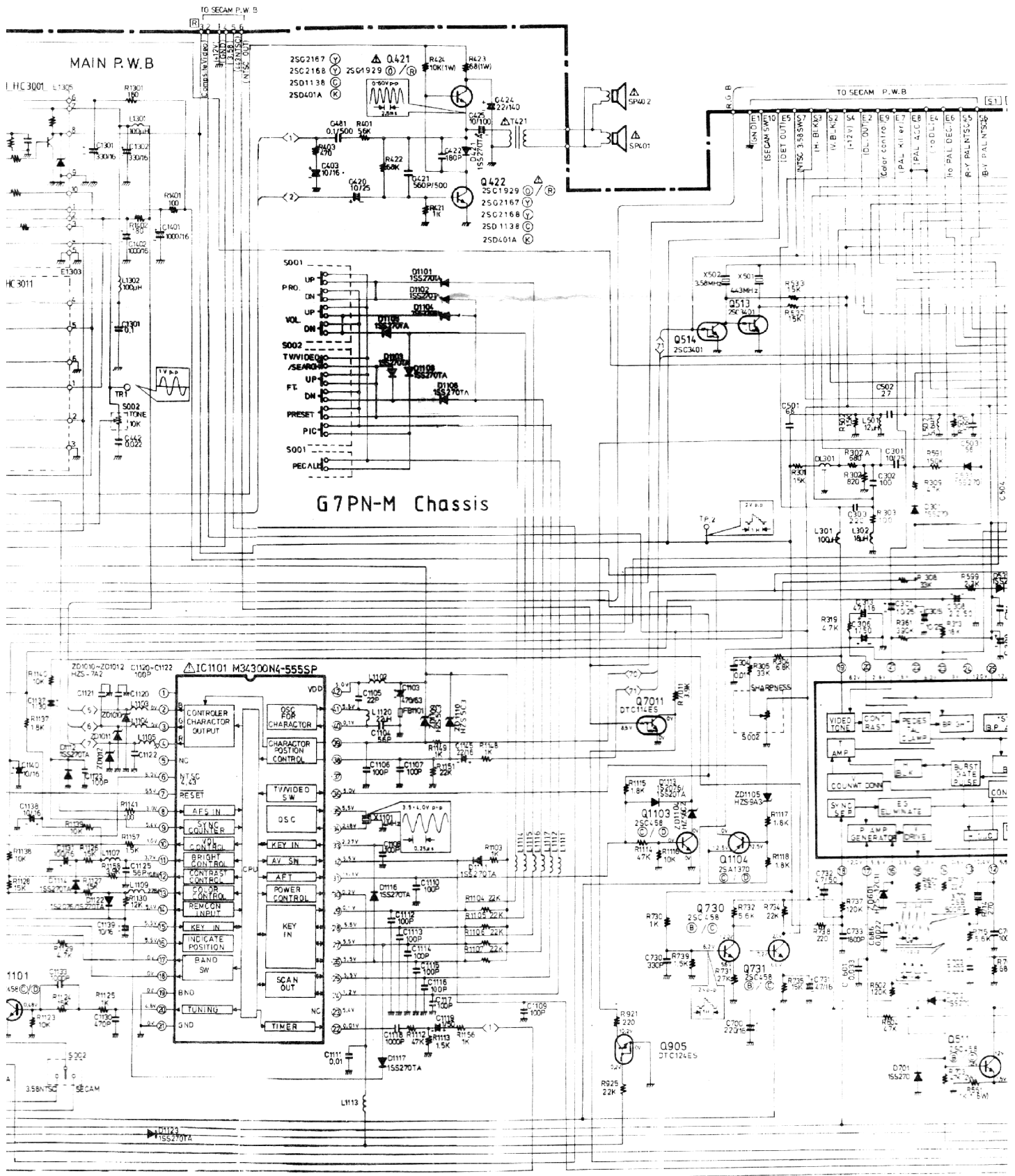


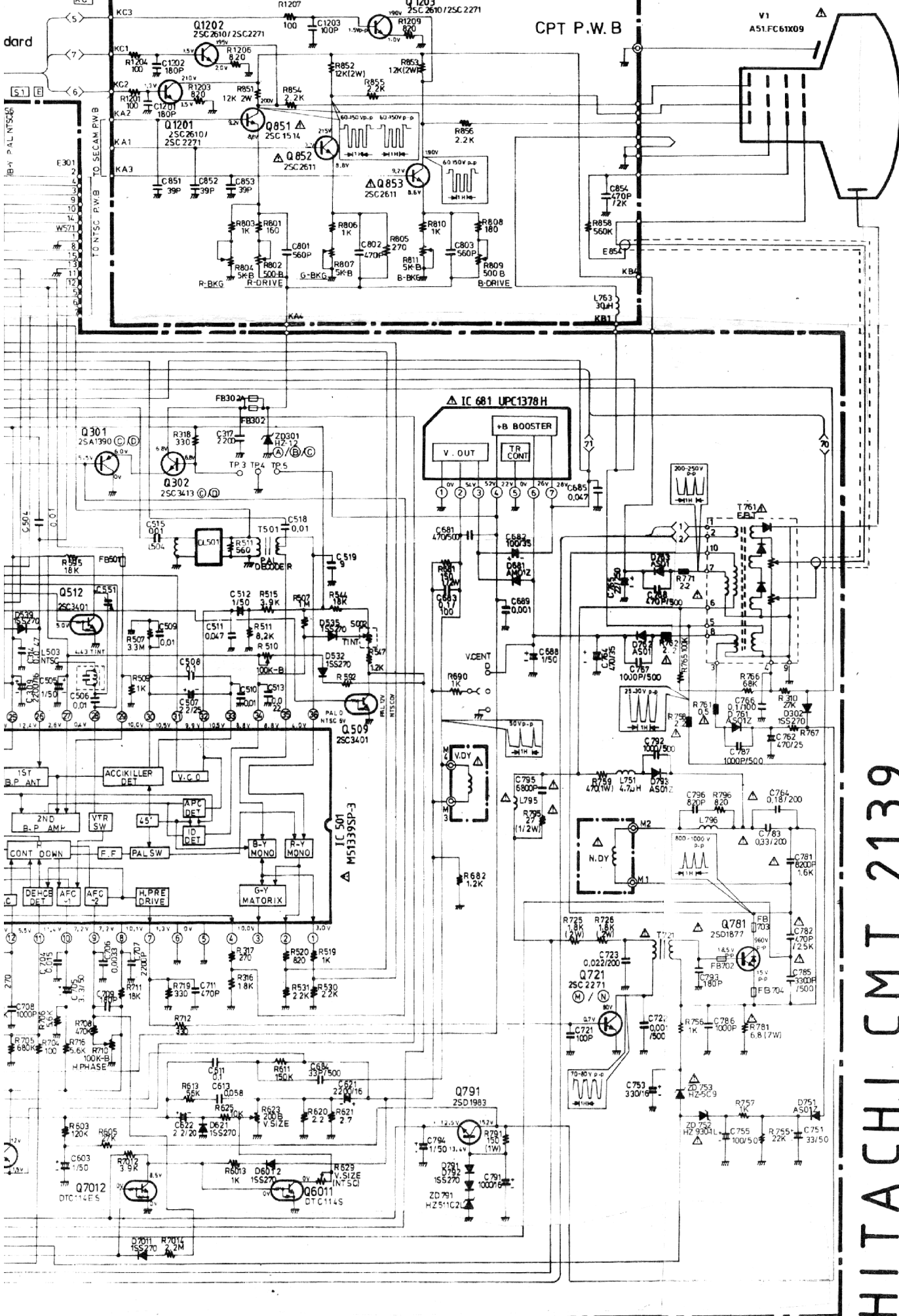
**PRODUCT SAFETY NOTE:** Components marked with a  $\Delta$  and shaded have special characteristics important to safety. Before replacing any of these components read carefully the **PRODUCT SAFETY NOTICE** of this Service Manual. Don't degrade the safety of the receiver though improper servicing.



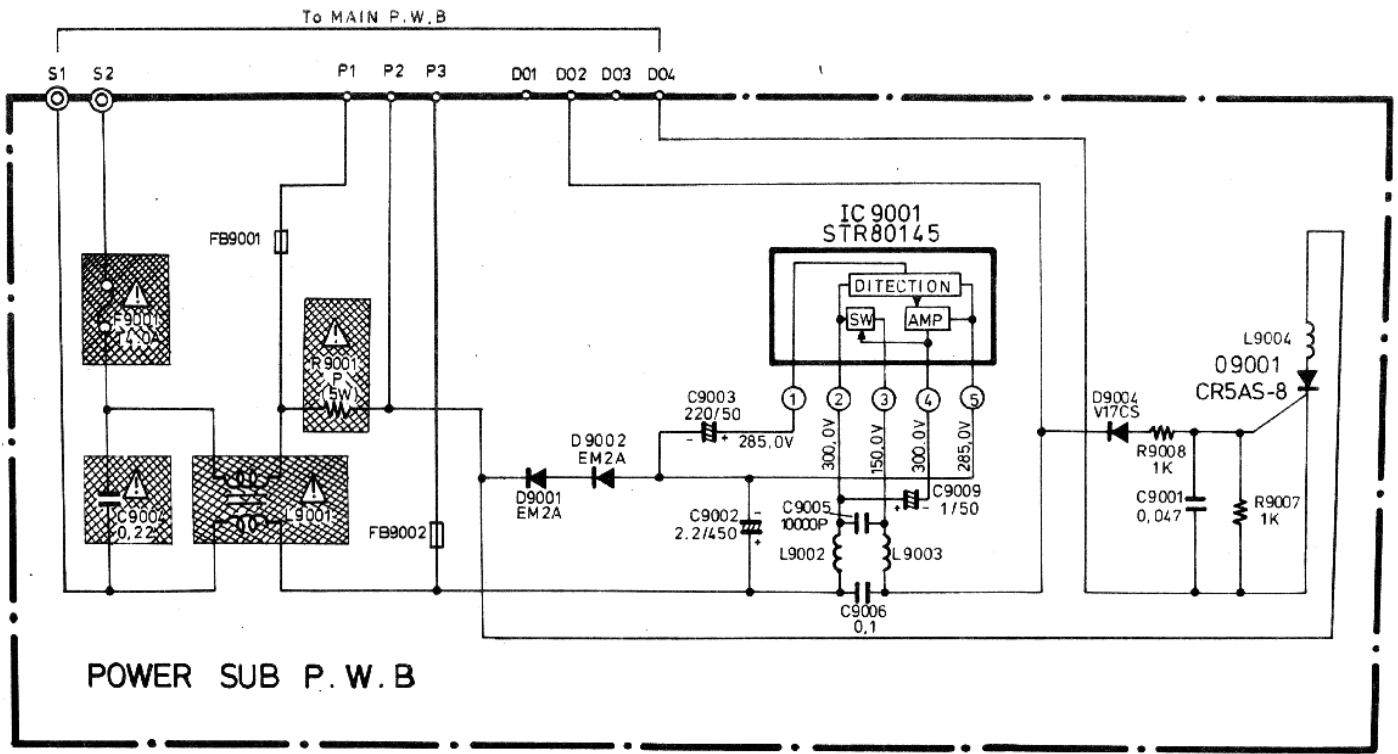


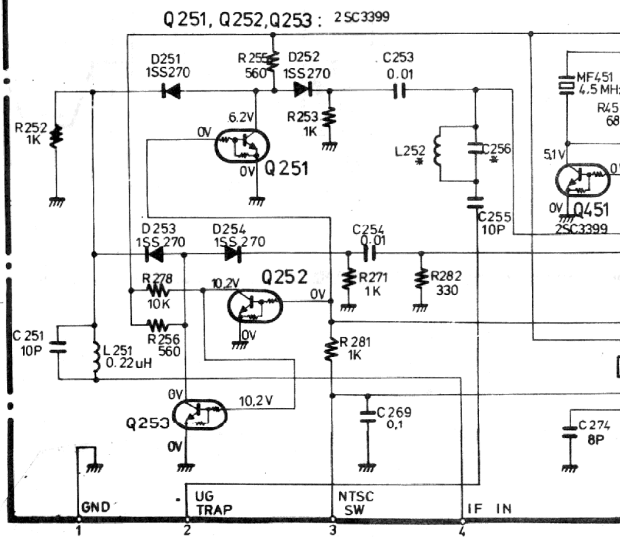
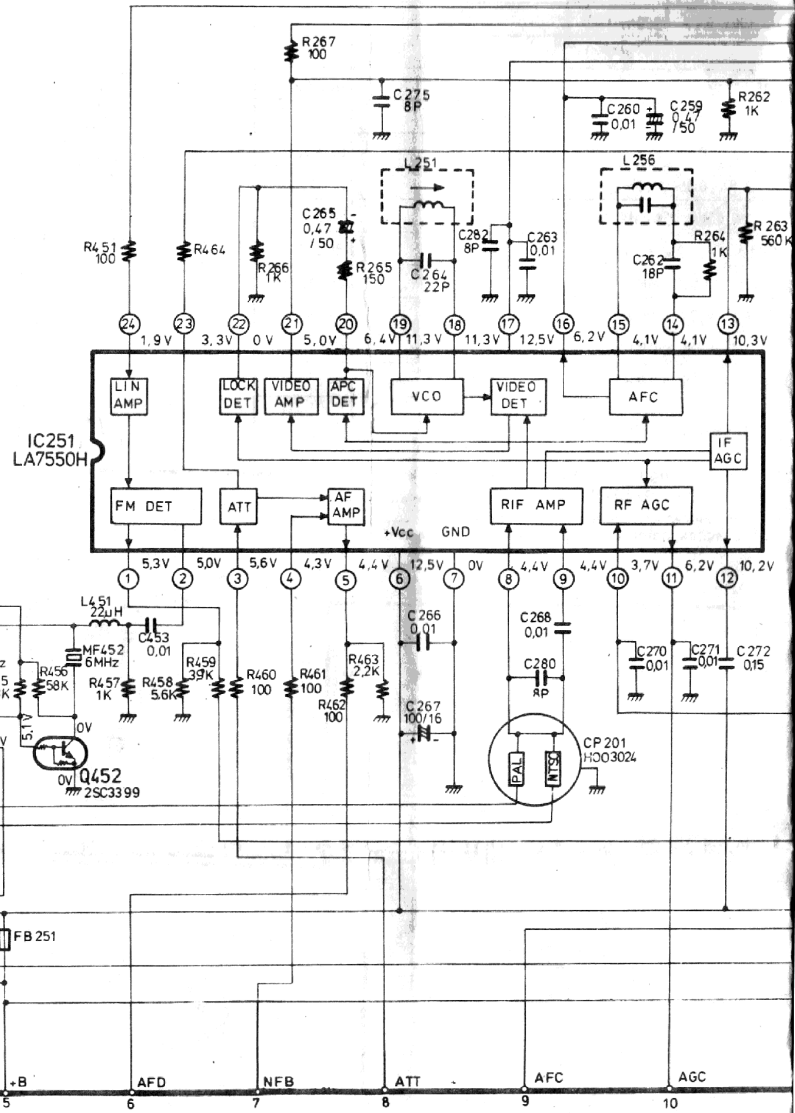
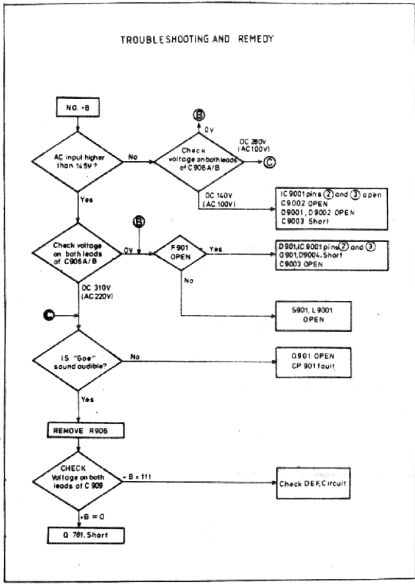
G7PN-M Chassis

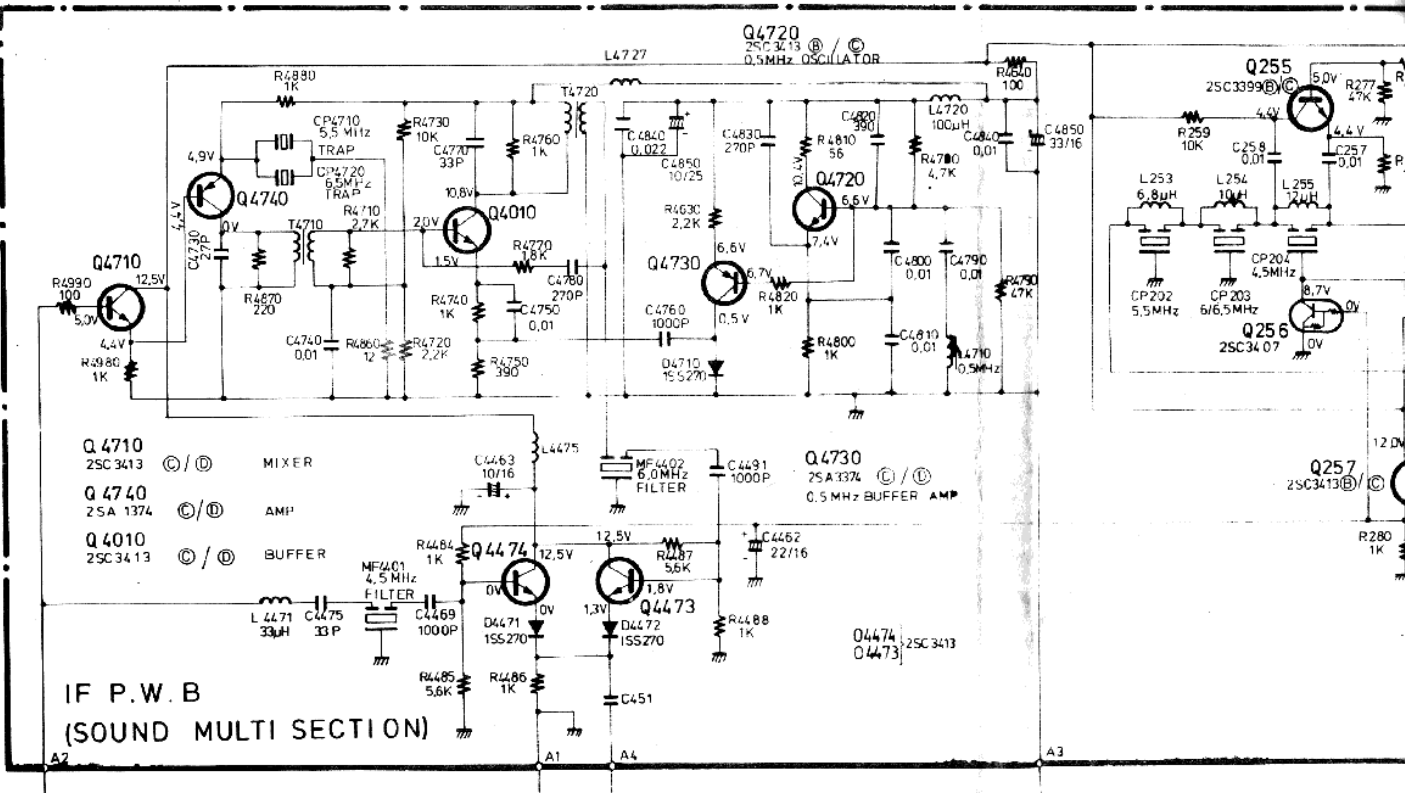
SPECIFICATIONS AND PARTS ARE SUBJECT TO CHANGE FOR IMPROVEMENT

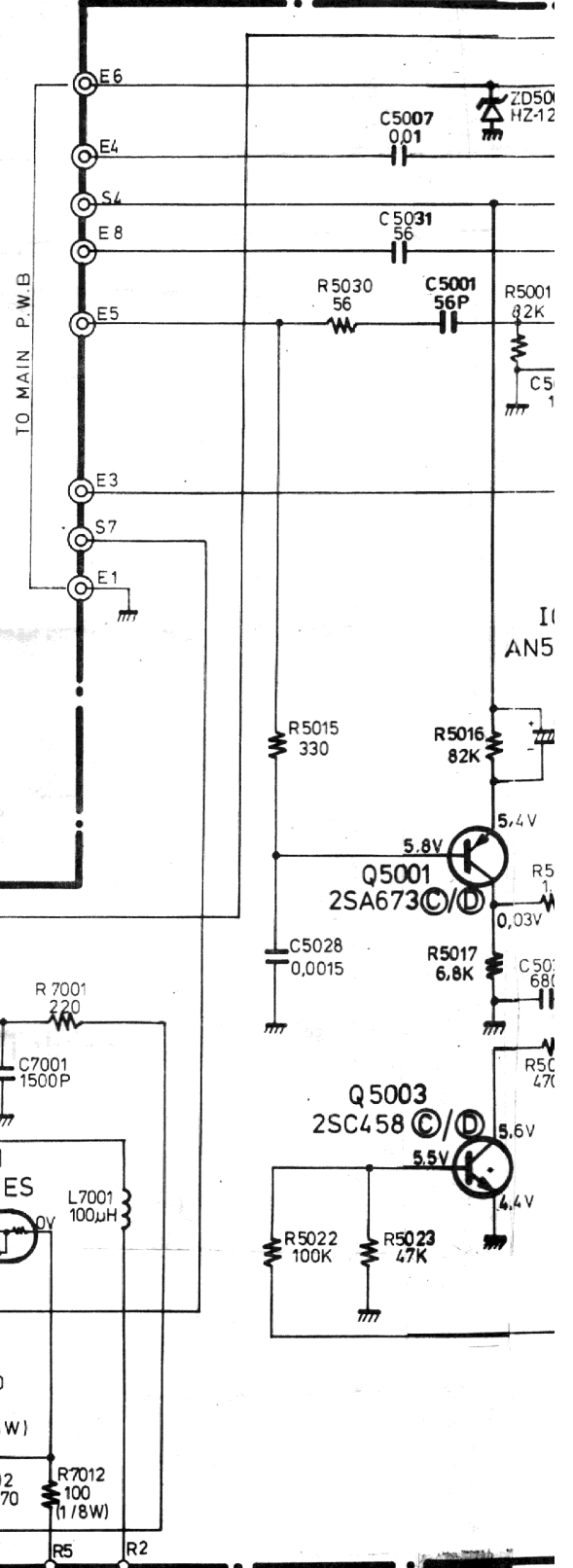
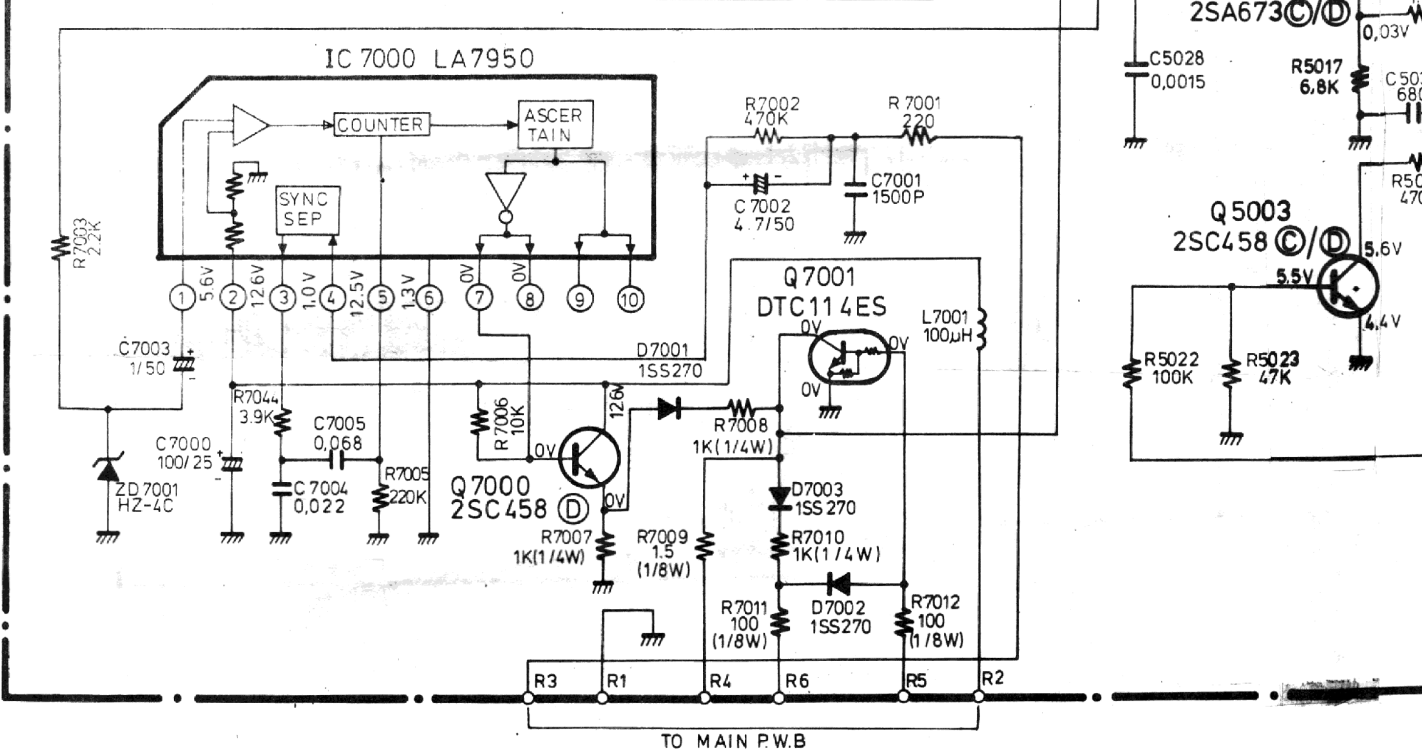
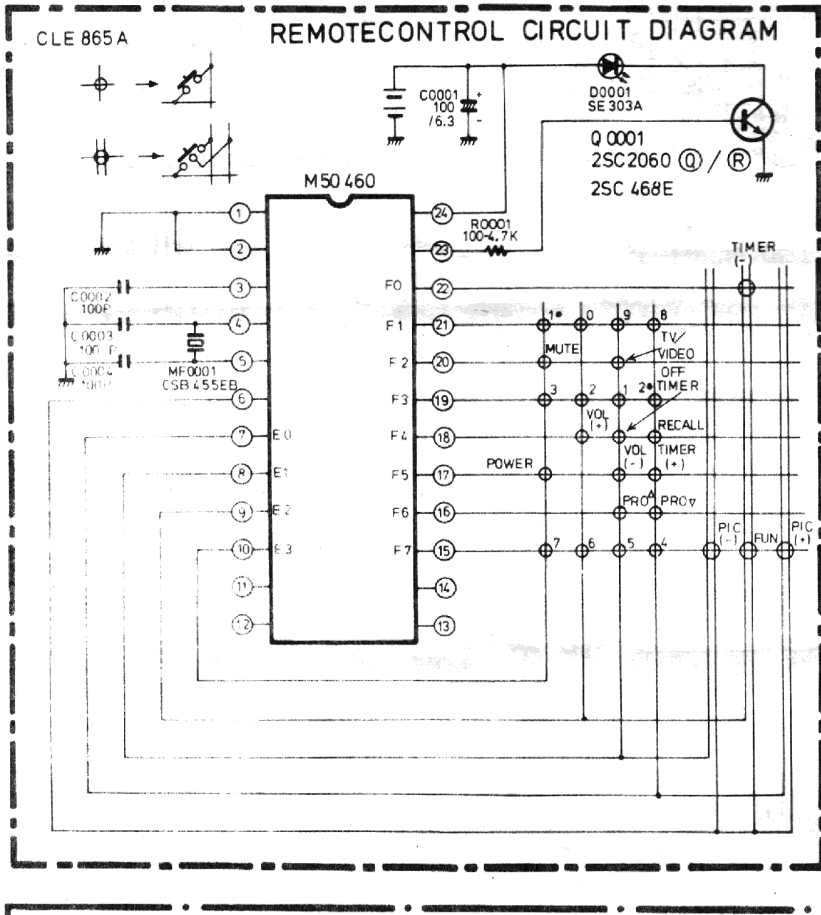


HITACHI CMT 2139



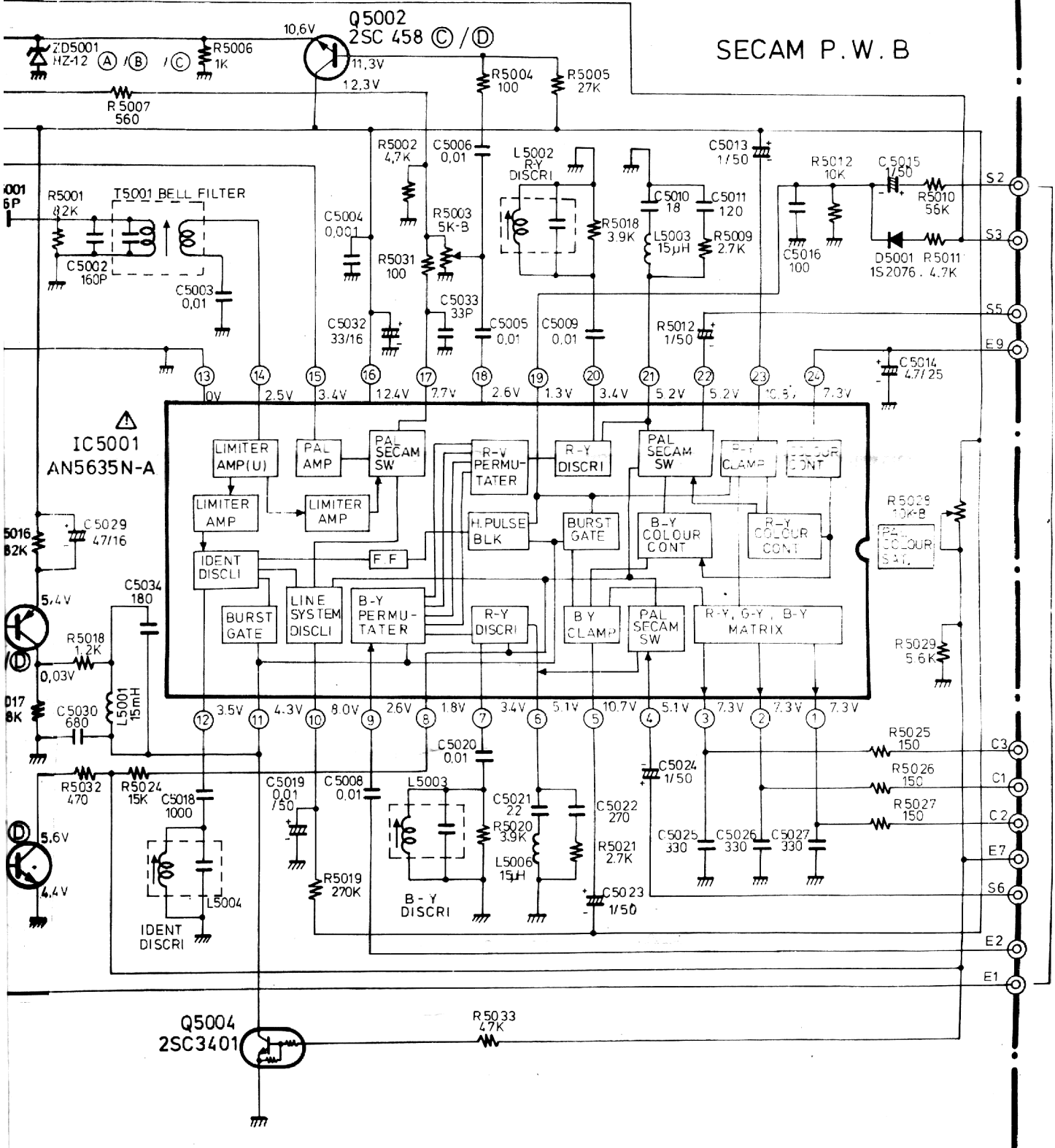






TO MAIN P.W.B

# SECAM P.W.B

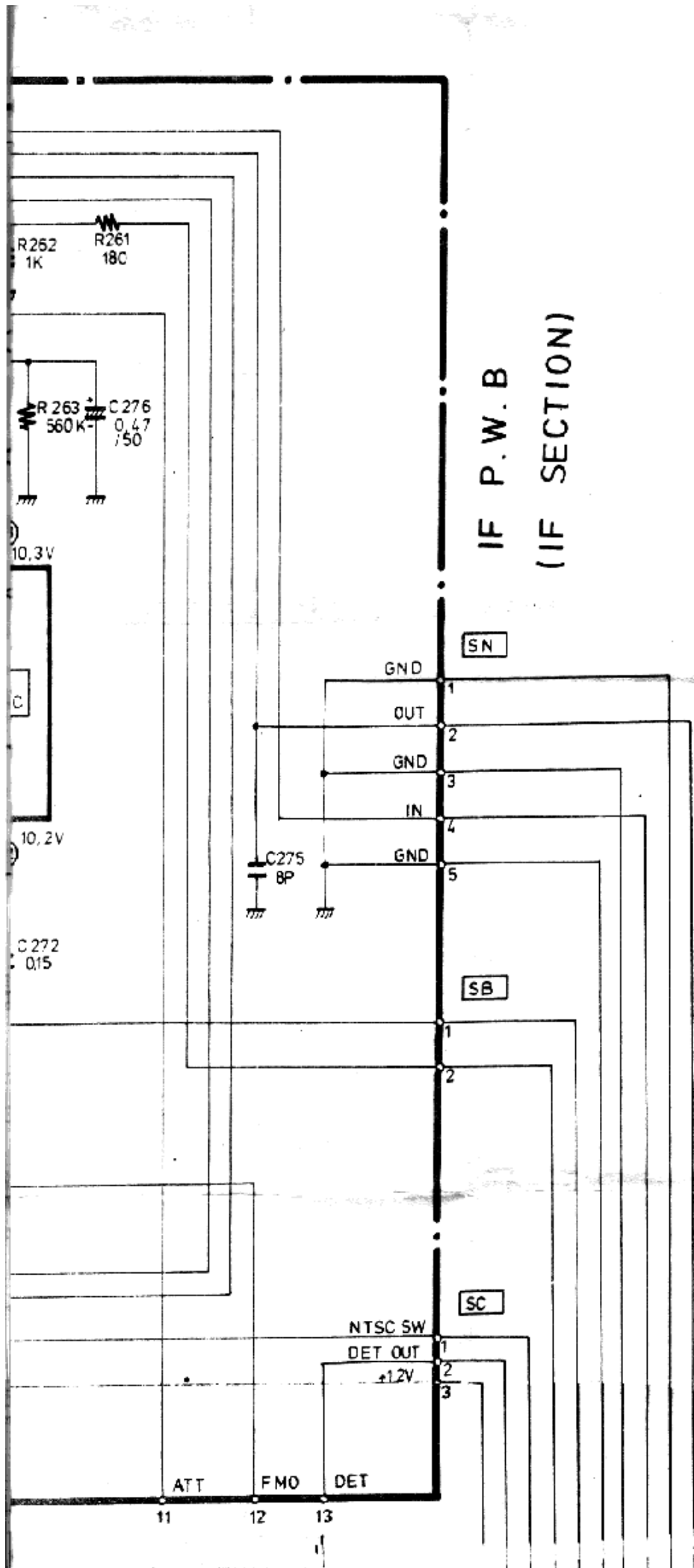


Q5004  
2SC3401

R5033  
4.7K

- S2
- S3
- S5
- E9
- C3
- C1
- C2
- E7
- S6
- E2
- E1





IF P.W.B  
(IF SECTION)

SN

- GND 1
- OUT 2
- GND 3
- IN 4
- GND 5

SB

- 1
- 2

SC

- NTSC SW 1
- DET OUT 2
- +1.2V 3

- ATT 11
- FMO 12
- DET 13

