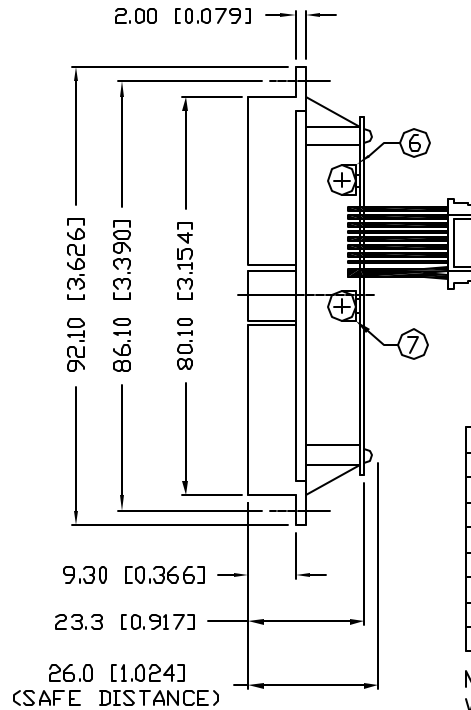
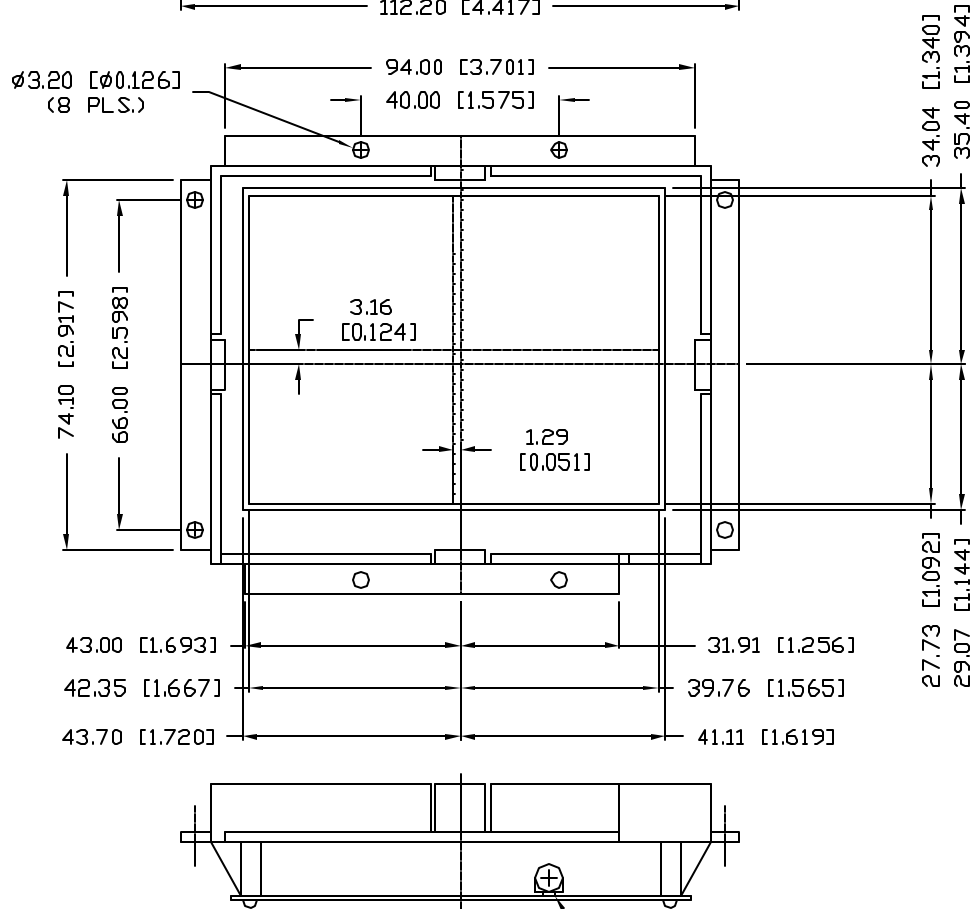
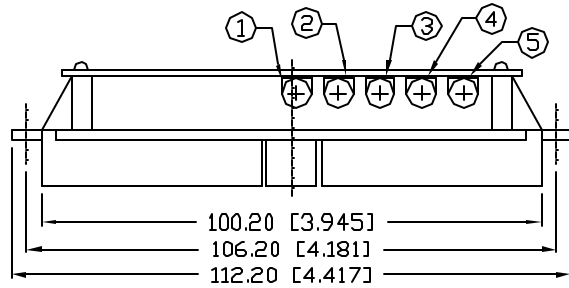


UNCONTROLLED DOCUMENT



ITEM	DESCRIPTION
1*	VR01 APC AUTO PHASE CONTROL FOR NTSC
2*	VR02 APC AUTO PHASE CONTROL FOR PAL
3*	VR03 B-R BIAS RED
4*	VR04 B-B BIAS BLUE
5	VR05 COLOR
6	VR06 BRIGHTNESS
7*	VR07 H-VIBRATION
8*	VR08 H-POSITION

NOTE: DO NOT TUNE VR01/VR02/VR03/VR04/VR07/VR08. THOSE VR'S ARE TUNED BY AUTHORIZED ENGINEER ONLY.

REPLACES PART #: LCM-480234GF-40FC

*UNLESS OTHERWISE SPECIFIED TOLERANCES PER DECIMAL PRECISION ARE: X=±1 (±0.039), XX=±0.5 (±0.020), XXX=±0.25 (±0.010), XXXX=±0.127 (±0.005). LEAD SIZE=±0.05 (±0.002), LEAD LENGTH=±0.75 (±0.030), MIN= ^{+DECIMAL PRECISION} _{-0.00} MAX.= ^{+0.00} _{-DECIMAL PRECISION}

REV.

A

PART NUMBER

LCM-480234GF-40CF

4" COLOR TFT MODULE, 480 x 234 RESOLUTION,
NTSC/PAL AUTO SWITCH.

CONFIDENTIAL INFORMATION

THE INFORMATION CONTAINED IN THIS DOCUMENT IS THE PROPERTY OF LUMEX INC. EXCEPT AS SPECIFICALLY AUTHORIZED IN WRITING BY LUMEX INC, THE HOLDER OF THIS DOCUMENT SHALL KEEP ALL INFORMATION CONTAINED HEREIN CONFIDENTIAL AND SHALL PROTECT SAME IN WHOLE OR IN PART FROM DISCLOSURE AND DISSEMINATION TO ALL THIRD PARTIES.

RELIABILITY NOTE

OUR MANY YEARS OF EXPERIENCE DATA ACCUMULATION INDICATE THAT SOLDER HEAT IS A MAJOR CAUSE OF EARLY AND FUTURE FAILURE. PLEASE PAY ATTENTION TO YOUR SOLDERING PROCESS.



290 E. HELEN ROAD
PALATINE, IL 60067-6976
PHONE: +1.847.359.2790
US WEB: www.lumex.com
TW WEB: www.lumex.com.tw

DRAWN BY:

JC

CHECKED BY:

APPROVED BY:

DATE: 3.7.00

PAGE: 1 OF 1

SCALE: N/A



UNCONTROLLED DOCUMENT

PART NUMBER		REV.
LCM-400234GF-40CF		A
REV.	E.C.N. NUMBER AND REVISION COMMENTS	DATE
A	SEE PAGE 1	

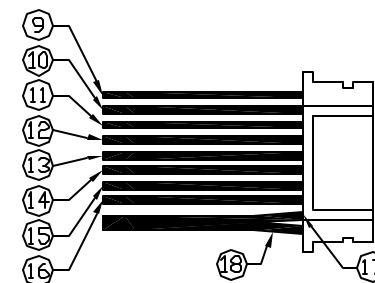
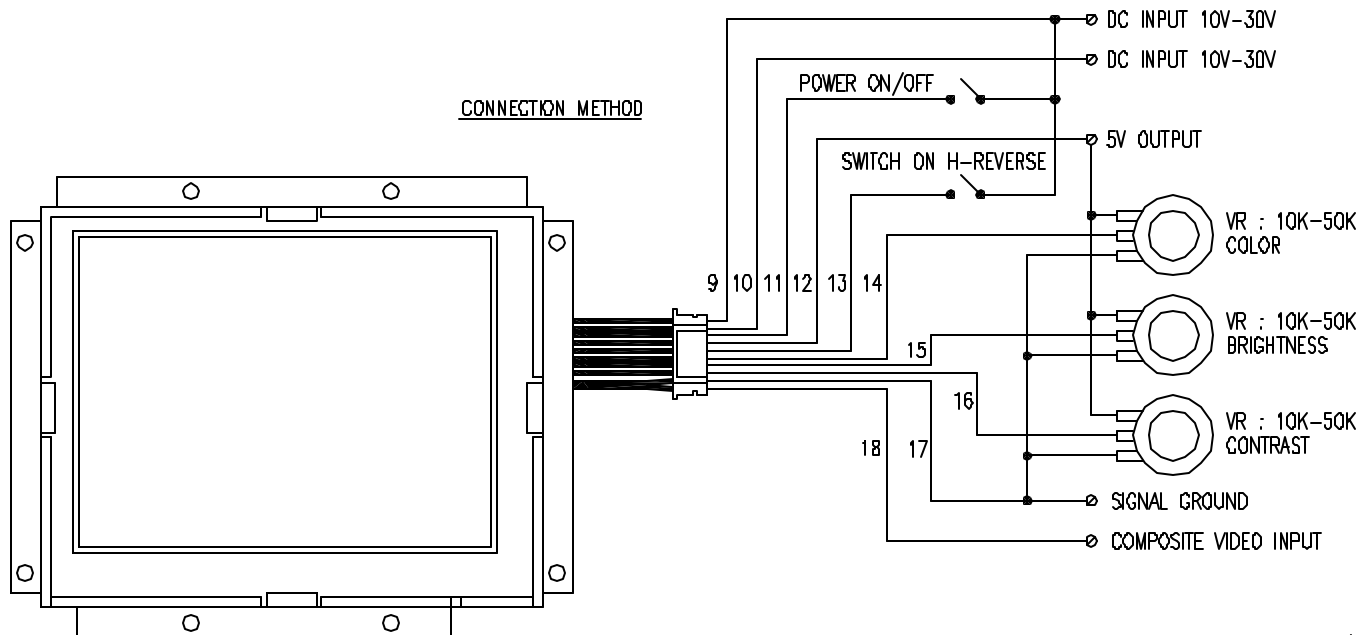
TFT OPERATING CONDITIONS					
PARAMETERS	SYMBOL	MIN	TYP	MAX	UNITS
OPERATING VOLTAGE	V _{op}	10	12	30	V.D.C.
OPERATING TEMP	T _{op}	0°	~	60°	°C
STORAGE TEMP	T _{st}	-20°	~	80°	°C
OPERATING HUMIDITY	H _o			85%	RH
STORAGE HUMIDITY	H _s			85%	RH
POWER CONSUMPTION	P _c			5	W
BRIGHTNESS			250		cd/m ²

COMPOSITE VIDEO SIGNAL : 1V_{p-p}/75 OHMS.

TFT CHARACTERISTICS	
DISPLAY SIZE	4.0" COLOR TFT LCD
RESOLUTION	480 (w) x 234 (h)
OVERALL DIMENSION	112 (w) x 92 (h) x 25 (t)
DOT PITCH	0.171 (w) x 0.264 (h)
WEIGHT	166 g.
BACKLIGHT	CCFT*

*10,000 hr. MIN. AT T_{amb}=25°C

OPTICAL CHARACTERISTICS		
VIEWING ANGLE	SYMBOL	MIN
	RIGHT	45°
	LEFT	45°
	UP	10°
	DOWN	30°



ITEM	COLOR	DESCRIPTION
9	RED	DC INPUT (10V - 30V)
10	BLACK	GROUND
11	BROWN	POWER ON/OFF (5V-30V=ON, 0V=OFF)
12	ORANGE	5V OUTPUT (OUTPUT CURRENT=3mA MAX.)
13	WHITE	REVERSE (5V-30V=REVERSE, 0V=NORMAL)
14	GRAY	COLOR
15	VIOLET	BRIGHTNESS
16	YELLOW	CONTRAST
17	BLACK	SIGNAL GROUND
18	WHITE	COMPOSITE VIDEO INPUT

*UNLESS OTHERWISE SPECIFIED TOLERANCES PER DECIMAL PRECISION ARE: X=±1 (±0.039), X.X=±0.5 (±0.020), X.XX=±0.25 (±0.010), X.XXX=±0.127 (±0.005). LEAD SIZE=±0.05 (±0.002), LEAD LENGTH=±0.75 (±0.030). MIN.= +DECIMAL PRECISION -0.00 MAX.= +0.00 -DECIMAL PRECISION

REV. A	PART NUMBER LCM-480234GF-40CF	<p>CONFIDENTIAL INFORMATION</p> <p>THE INFORMATION CONTAINED IN THIS DOCUMENT IS THE PROPERTY OF LUMEX INC. EXCEPT AS SPECIFICALLY AUTHORIZED IN WRITING BY LUMEX INC., THE HOLDER OF THIS DOCUMENT SHALL KEEP ALL INFORMATION CONTAINED HEREIN CONFIDENTIAL AND SHALL PROTECT SAME IN WHOLE OR IN PART FROM DISCLOSURE AND DISSEMINATION TO ALL THIRD PARTIES.</p> <p>RELIABILITY NOTE OUR MANY YEARS OF EXPERIENCE DATA ACCUMULATION INDICATE THAT SOLDER HEAT IS A MAJOR CAUSE OF EARLY AND FUTURE FAILURE. PLEASE PAY ATTENTION TO YOUR SOLDERING PROCESS.</p>	<p>LUMEX</p> <p>290 E. HELEN ROAD PALATINE, IL 60067-6976 PHONE: +1.847.359.2790 US WEB: www.lumex.com TW WEB: www.lumex.com.tw</p>
4" COLOR TFT MODULE, 480 x 234 RESOLUTION, NTSC/PAL AUTO SWITCH.		DRAWN BY: JG CHECKED BY: APPROVED BY:	DATE: 3.7.00 PAGE: 1 OF 1 SCALE: N/A