

THRU-HOLE POWER INDUCTORS



AIUR-01, AIUR-02H SERIES

FEATURES:

- Ferrite core with heat shrink tube
- High Reliability

OPTIONS:

- Bulk Pack is standard

APPLICATIONS:

- Electronic Appliance
- Automotive system

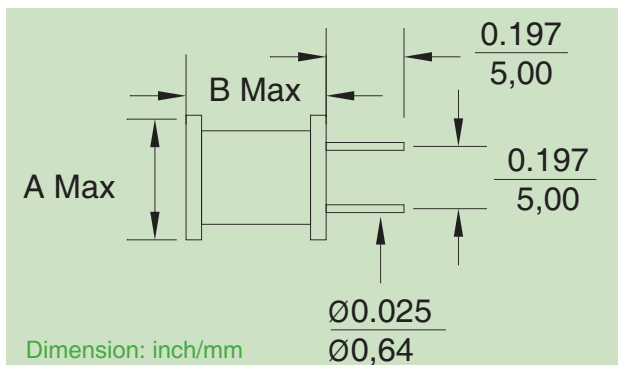
STANDARD SPECIFICATIONS:

Part Number AIUR-01	L (μH)	Q Min	L.Q Test Freq (KHz)	SRF Min (MHz)	R _{DC} Max (Ω)	I _{DC} Max (mA)
101K	100	60	796	6.1	2	200
121K	120	60	796	5.5	3	200
151K	150	60	796	5.0	3	200
181K	180	60	796	4.7	3	200
221K	220	60	796	4.5	3	150
271K	270	60	796	4.1	3	150
331K	330	60	796	3.8	4	150
391K	390	60	796	3.5	4	100
471K	470	60	796	3.2	5	100
561K	560	60	796	2.9	6	100
681K	680	60	796	2.7	6	100
821K	820	60	796	2.3	7	50
102K	1000	80	252	2.1	9	50
122K	1200	80	252	1.9	9	50
152K	1500	80	252	1.8	11	50
182K	1800	80	252	1.6	12	50
222K	2200	80	252	1.5	14	50
272K	2700	80	252	1.4	15	50
332K	3300	80	252	0.9	25	40
392K	3900	80	252	0.9	30	40
472K	4700	80	252	0.8	32	40
562K	5600	80	252	0.7	36	30
682K	6800	80	252	0.7	40	30
822K	8200	80	252	0.6	45	30
103K	10000	60	79.6	0.6	55	20
123K	12000	60	79.6	0.5	65	20
153K	15000	60	79.6	0.5	80	20

Part Number AIUR-02H	L (μH)	Q Min	L.Q Test Freq (MHz)	R _{DC} Max (Ω)	I _{DC} Max (A)
1R0K	1.0	20	7.96	0.021	8.60
2R2K	2.2	20	7.96	0.026	6.30
3R3K	3.3	20	7.96	0.030	5.40
4R7K	4.7	20	7.96	0.034	4.60
6R8K	6.8	20	7.96	0.037	4.10
100K	10	50	2.52	0.044	3.40
120K	12	50	2.52	0.049	3.40
150K	15	50	2.52	0.054	3.10
180K	18	40	2.52	0.058	2.66
220K	22	40	2.52	0.065	2.40
270K	27	40	2.52	0.072	2.22
330K	33	30	2.52	0.080	2.05
390K	39	30	2.52	0.091	1.85
470K	47	30	2.52	0.101	1.77
560K	56	30	2.52	0.145	1.48
680K	68	30	2.52	0.161	1.36
820K	82	30	2.52	0.174	1.30
101K	100	30	0.796	0.213	1.40
121K	120	30	0.796	0.238	1.25
151K	150	30	0.796	0.273	1.15
181K	180	30	0.796	0.303	1.08
221K	220	30	0.796	0.343	1.00
271K	270	30	0.796	0.385	0.90
331K	330	30	0.796	0.623	0.78
391K	390	30	0.796	0.685	0.74
471K	470	30	0.796	0.772	0.68
561K	560	30	0.796	0.834	0.64
681K	680	20	0.796	0.937	0.59
821K	820	20	0.796	1.033	0.56
102K	1000	50	0.252	1.176	0.51

	A	B
AIUR-01	0.315 8,00	0.295 7,50
AIUR-02	0.355 8,50	0.472 12,00

PHYSICAL CHARACTERISTICS:



TECHNICAL INFORMATION:

- Operating Temperature: -40°C to +105°C
 - Storage Temperature: -40°C to +125°C
 - Marking: Value and tolerance
 - Tolerance: K=±10%
 - Letter suffix indicates standard tolerance
 - L drops 10% typical @ IDC from initial value
 - Check SCD for detail E&M specification
- Note:** All specifications subject to change without notice.