



1.0 Features

- 2.4-GHz radio transceiver
- Operates in the unlicensed Industrial, Scientific, and Medical (ISM) band (2.4 GHz–2.483 GHz)
- –95-dBm receive sensitivity
- Up to 0dBm output power
- Range of up to 50 meters or more
- Data throughput of up to 62.5 kbits/sec
- Highly integrated low cost, minimal number of external components required
- Dual DSSS reconfigurable baseband correlators
- SPI microcontroller interface (up to 2-MHz data rate)
- 13-MHz input clock operation
- Low standby current < 1 μA
- Integrated 30-bit Manufacturing ID
- Operating voltage from 2.7V to 3.6V
- Operating temperature from –40° to 85°C
- Offered in a small footprint 48 QFN

2.0 Functional Description

The CYWUSB6935 transceiver is a single-chip 2.4-GHz Direct Sequence Spread Spectrum (DSSS) Gaussian Frequency Shift Keying (GFSK) baseband modem radio that connects directly to a microcontroller via a simple serial peripheral interface.

The CYWUSB6935 is offered in an industrial temperature range 48-pin QFN and a commercial temperature range 48-pin QFN.

3.0 Applications

- Building/Home Automation
 - Climate Control
 - Lighting Control
 - Smart Appliances
 - On-Site Paging Systems
 - Alarm and Security
- Industrial Control
 - Inventory Management
 - Factory Automation
 - Data Acquisition
- Automatic Meter Reading (AMR)
- Transportation
 - Diagnostics
 - Remote Keyless Entry
- Consumer / PC
 - Locator Alarms
 - Presenter Tools
 - Remote Controls
 - Toys

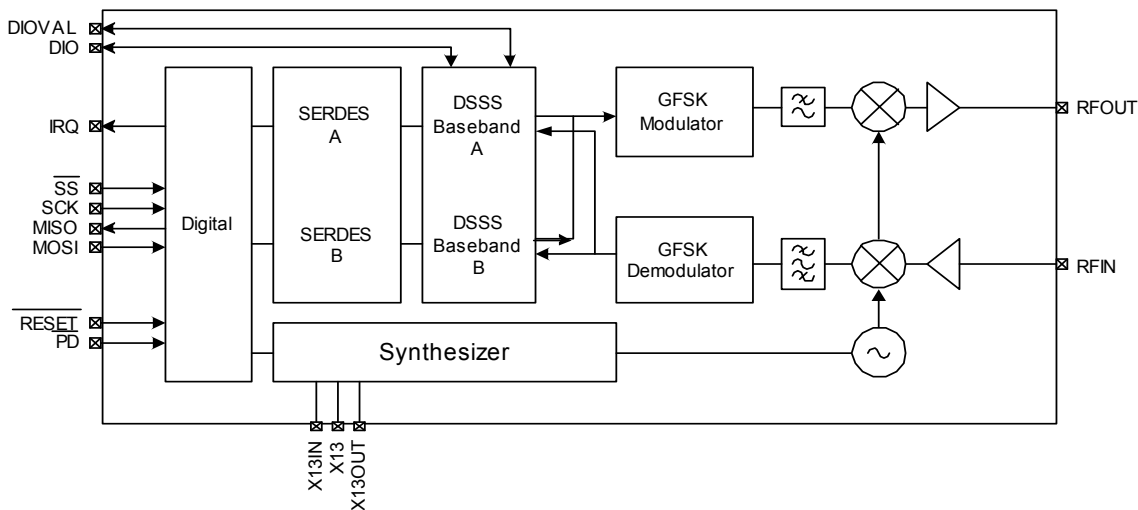


Figure 3-1. CYWUSB6935 Simplified Block Diagram

3.1 Applications Support

The CYWUSB6935 is supported by both the CY3632 WirelessUSB Development Kit and the CY3635 WirelessUSB N:1 Development Kit. The CY3635 development kit provides all of the materials and documents needed to cut the cord on multipoint to point and point-to-point low bandwidth, high node density applications including four small form-factor sensor boards and a hub board that connects to WirelessUSB LR RF module boards, a software application that graphically demonstrates the multipoint to point protocol, comprehensive WirelessUSB protocol code examples and all of the associated schematics, gerber files and bill of materials. The WirelessUSB N:1 Development Kit is also supported by the WirelessUSB Listener Tool.

4.0 Functional Overview

The CYWUSB6935 provides a complete SPI-to-antenna radio modem. The CYWUSB6935 is designed to implement wireless devices operating in the worldwide 2.4-GHz Industrial, Scientific, and Medical (ISM) frequency band (2.400 GHz–2.4835 GHz). It is intended for systems compliant with world-wide regulations covered by ETSI EN 301 489-1 V1.4.1, ETSI EN 300 328-1 V1.3.1 (European Countries); FCC CFR 47 Part 15 (USA and Industry Canada) and ARIB STD-T66 (Japan).

The CYWUSB6935 contains a 2.4-GHz radio transceiver, a GFSK modem, and a dual DSSS reconfigurable baseband. The radio and baseband are both code- and frequency-agile. Forty-nine spreading codes selected for optimal performance (Gold codes) are supported across 78 1-MHz channels yielding a theoretical spectral capacity of 3822 channels. The CYWUSB6935 supports a range of up to 50 meters or more.

4.1 2.4-GHz Radio

The receiver and transmitter are a single-conversion, low-Intermediate Frequency (low-IF) architecture with fully integrated IF channel matched filters to achieve high performance in the presence of interference. An integrated Power Amplifier (PA) provides an output power control range of 30 dB in seven steps.

Table 4-1. Internal PA Output Power Step Table

| PA Setting | Typical Output Power (dBm) |
|------------|----------------------------|
| 7 | 0 |
| 6 | -2.4 |
| 5 | -5.6 |
| 4 | -9.7 |
| 3 | -16.4 |
| 2 | -20.8 |
| 1 | -24.8 |
| 0 | -29.0 |

Both the receiver and transmitter integrated Voltage Controlled Oscillator (VCO) and synthesizer have the agility to cover the complete 2.4-GHz GFSK radio transmitter ISM band. The synthesizer provides the frequency-hopping local

oscillator for the transmitter and receiver. The VCO loop filter is also integrated on-chip.

4.2 GFSK Modem

The transmitter uses a DSP-based vector modulator to convert the 1-MHz chips to an accurate GFSK carrier.

The receiver uses a fully integrated Frequency Modulator (FM) detector with automatic data slicer to demodulate the GFSK signal.

4.3 Dual DSSS Baseband

Data is converted to DSSS chips by a digital spreader. De-spreading is performed by an oversampled correlator. The DSSS baseband cancels spurious noise and assembles properly correlated data bytes.

The DSSS baseband has three operating modes: 64-chips/bit Single Channel, 32-chips/bit Single Channel, and 32-chips/bit Single Channel Dual Data Rate (DDR).

4.3.1 64 Chips/Bit Single Channel

The baseband supports a single data stream operating at 15.625 kbits/sec. The advantage of selecting this mode is its ability to tolerate a noisy environment. This is because the 15.625 kbits/sec data stream utilizes the longest PN Code resulting in the highest probability for recovering packets over the air. This mode can also be selected for systems requiring data transmissions over longer ranges.

4.3.2 32 Chips/Bit Single Channel

The baseband supports a single data stream operating at 31.25 kbits/sec.

4.3.3 32 Chips/Bit Single Channel Dual Data Rate (DDR)

The baseband spreads bits in pairs and supports a single data stream operating at 62.5 kbits/sec.

4.4 Serializer/Deserializer (SERDES)

CYWUSB6935 provides a data Serializer/Deserializer (SERDES), which provides byte-level framing of transmit and receive data. Bytes for transmission are loaded into the SERDES and receive bytes are read from the SERDES via the SPI interface. The SERDES provides double buffering of transmit and receive data. While one byte is being transmitted by the radio the next byte can be written to the SERDES data register insuring there are no breaks in transmitted data.

After a receive byte has been received it is loaded into the SERDES data register and can be read at any time until the next byte is received, at which time the old contents of the SERDES data register will be overwritten.

4.5 Application Interfaces

CYWUSB6935 has a fully synchronous SPI slave interface for connectivity to the application MCU. Configuration and byte-oriented data transfer can be performed over this interface. An interrupt is provided to trigger real time events.

An optional SERDES Bypass mode (DIO) is provided for applications that require a synchronous serial bit-oriented data path. This interface is for data only.

4.6 Clocking and Power Management

A 13-MHz crystal is directly connected to X13IN and X13 without the need for external capacitors. The CYWUSB6935 has a programmable trim capability for adjusting the on-chip load capacitance supplied to the crystal. The Radio Frequency (RF) circuitry has on-chip decoupling capacitors. The CYWUSB6935 is powered from a 2.7V to 3.6V DC supply. The CYWUSB6935 can be shutdown to a fully static state using the PD pin.

Below are the requirements for the crystal to be directly connected to X13IN and X13:

- Nominal Frequency: 13 MHz
- Operating Mode: Fundamental Mode
- Resonance Mode: Parallel Resonant
- Frequency Stability: ± 30 ppm
- Series Resistance: ≤ 100 ohms
- Load Capacitance: 10 pF
- Drive Level: 10 μ W–100 μ W

4.7 Receive Signal Strength Indicator (RSSI)

The RSSI register (Reg 0x22) returns the relative signal strength of the ON-channel signal power and can be used to:

1. Determine the connection quality
2. Determine the value of the noise floor
3. Check for a quiet channel before transmitting.

The internal RSSI voltage is sampled through a 5-bit analog-to-digital converter (ADC). A state machine controls the conversion process. Under normal conditions, the RSSI state machine initiates a conversion when an ON-channel carrier is detected and remains above the noise floor for over 50 μ s. The conversion produces a 5-bit value in the RSSI register (Reg 0x22, bits 4:0) along with a valid bit, RSSI register (Reg 0x22, bit 5). The state machine then remains in HALT mode and does not reset for a new conversion until the receive mode is toggled off and on. Once a connection has been established, the RSSI register can be read to determine the relative connection quality of the channel. A RSSI register value lower than 10 indicates that the received signal strength is low, a value greater than 28 indicates a strong signal level.

To check for a quiet channel before transmitting, first set up receive mode properly and read the RSSI register (Reg 0x22). If the valid bit is zero, then force the Carrier Detect register (Reg 0x2F, bit 7=1) to initiate an ADC conversion. Then, wait greater than 50 μ s and read the RSSI register again. Next,

clear the Carrier Detect Register (Reg 0x2F, bit 7=0) and turn the receiver OFF. Measuring the noise floor of a quiet channel is inherently a 'noisy' process so, for best results, this procedure should be repeated several times (~20) to compute an average noise floor level. A RSSI register value of 0-10 indicates a channel that is relatively quiet. A RSSI register value greater than 10 indicates the channel is probably being used. A RSSI register value greater than 28 indicates the presence of a strong signal.

5.0 Application Interfaces

5.1 SPI Interface

The CYWUSB6935 has a four-wire SPI communication interface between an application MCU and one or more slave devices. The SPI interface supports single-byte and multi-byte serial transfers. The four-wire SPI communications interface consists of Master Out-Slave In (MOSI), Master In-Slave Out (MISO), Serial Clock (SCK), and Slave Select (SS).

The SPI receives SCK from an application MCU on the SCK pin. Data from the application MCU is shifted in on the MOSI pin. Data to the application MCU is shifted out on the MISO pin. The active-low Slave Select (\overline{SS}) pin must be asserted to initiate a SPI transfer.

The application MCU can initiate a SPI data transfer via a multi-byte transaction. The first byte is the Command/Address byte, and the following bytes are the data bytes as shown in *Figure 5-1* through *Figure 5-4*. The \overline{SS} signal should not be deasserted between bytes. The SPI communications interface is as follows:

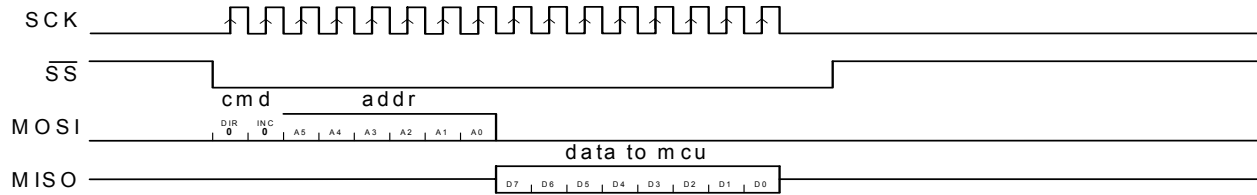
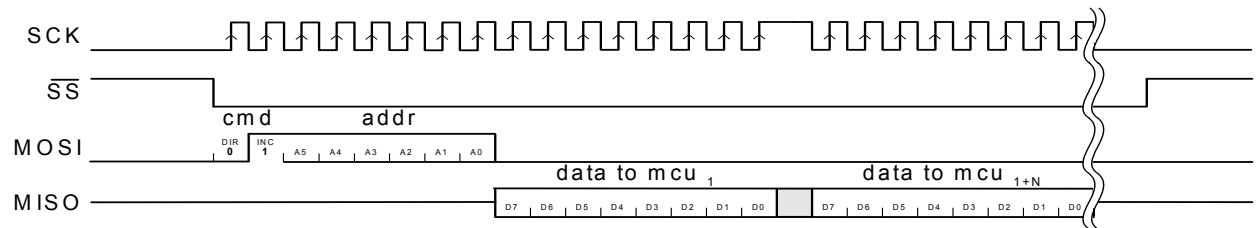
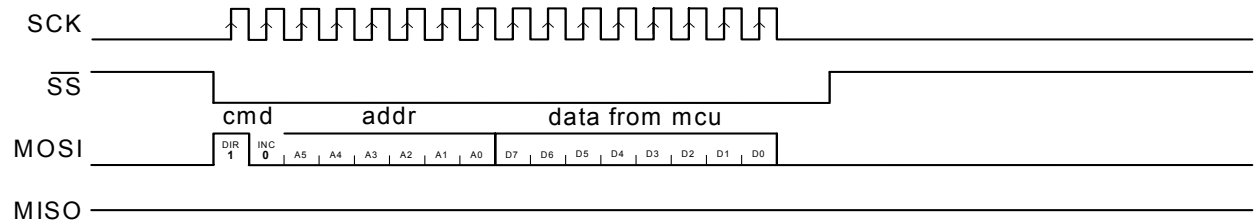
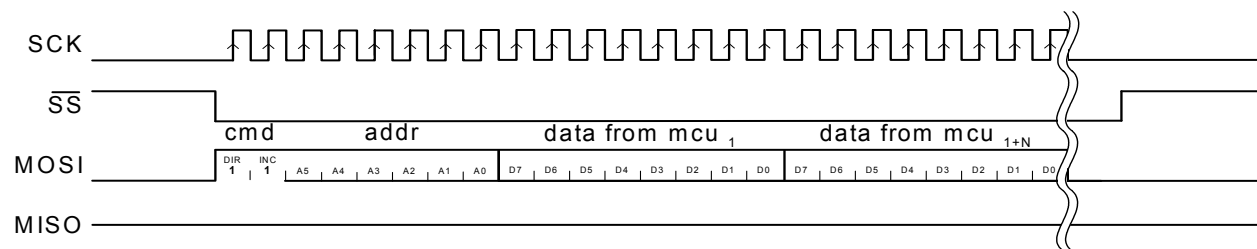
- Command Direction (bit 7) = "0" Enables SPI read transaction. A "1" enables SPI write transactions.
- Command Increment (bit 6) = "1" Enables SPI auto address increment. When set, the address field automatically increments at the end of each data byte in a burst access, otherwise the same address is accessed.
- Six bits of address.
- Eight bits of data.

The SPI communications interface has a burst mechanism, where the command byte can be followed by as many data bytes as desired. A burst transaction is terminated by deasserting the slave select ($\overline{SS} = 1$). For burst read transactions, the application MCU must abide by the timing shown in *Figure 12-2*.

The SPI communications interface single read and burst read sequences are shown in *Figure 5-2* and *Figure 5-3*, respectively.

The SPI communications interface single write and burst write sequences are shown in *Figure 5-4* and *Figure 5-5*, respectively.

| Bit # | Byte 1 | | | Byte 1+N |
|----------|--------|-----|---------|----------|
| | 7 | 6 | [5:0] | [7:0] |
| Bit Name | DIR | INC | Address | Data |

Figure 5-1. SPI Transaction Format

Figure 5-2. SPI Single Read Sequence

Figure 5-3. SPI Burst Read Sequence

Figure 5-4. SPI Single Write Sequence

Figure 5-5. SPI Burst Write Sequence

5.2 DIO Interface

The DIO communications interface is an optional SERDES bypass data-only transfer interface. In receive mode, DIO and DIOVAL are valid after the falling edge of IRQ, which clocks the data as shown in *Figure 5-6*. In transmit mode, DIO and DIOVAL are sampled on the falling edge of the IRQ, which clocks the data as shown in *Figure 5-7*. The application MCU samples the DIO and DIOVAL on the rising edge of IRQ.

5.3 Interrupts

The CYWUSB6935 features three sets of interrupts: transmit, received, and a wake interrupt. These interrupts all share a single pin (IRQ), but can be independently enabled/disabled. In transmit mode, all receive interrupts are automatically disabled, and in receive mode all transmit interrupts are automatically disabled. However, the contents of the enable registers are preserved when switching between transmit and receive modes.

Interrupts are enabled and the status read through 6 registers: Receive Interrupt Enable (Reg 0x07), Receive Interrupt Status (Reg 0x08), Transmit Interrupt Enable (Reg 0x0D), Transmit Interrupt Status (Reg 0x0E), Wake Enable (Reg 0x1C), Wake Status (Reg 0x1D).

If more than 1 interrupt is enabled at any time, it is necessary to read the relevant interrupt status register to determine which event caused the IRQ pin to assert. Even when a given interrupt source is disabled, the status of the condition that would otherwise cause an interrupt can be determined by reading the appropriate interrupt status register. It is therefore possible to use the devices without making use of the IRQ pin at all. Firmware can poll the interrupt status register(s) to wait for an event, rather than using the IRQ pin.

The polarity of all interrupts can be set by writing to the Configuration register (Reg 0x05), and it is possible to configure the IRQ pin to be open drain (if active low) or open source (if active high).

5.3.1 Wake Interrupt

When the \overline{PD} pin is low, the oscillator is stopped. After \overline{PD} is deasserted, the oscillator takes time to start, and until it has done so, it is not safe to use the SPI interface. The wake interrupt indicates that the oscillator has started, and that the device is ready to receive SPI transfers.

The wake interrupt is enabled by setting bit 0 of the Wake Enable register (Reg 0x1C, bit 0=1). Whether or not a wake interrupt is pending is indicated by the state of bit 0 of the Wake Status register (Reg 0x1D, bit 0). Reading the Wake Status register (Reg 0x1D) clears the interrupt.

5.3.2 Transmit Interrupts

Four interrupts are provided to flag the occurrence of transmit events. The interrupts are enabled by writing to the Transmit Interrupt Enable register (Reg 0x0D), and their status may be determined by reading the Transmit Interrupt Status register (Reg 0x0E). If more than 1 interrupt is enabled, it is necessary to read the Transmit Interrupt Status register (Reg 0x0E) to determine which event caused the IRQ pin to assert.

The function and operation of these interrupts are described in detail in *Section 7.0*.

5.3.3 Receive Interrupts

Eight interrupts are provided to flag the occurrence of receive events, four each for SERDES A and B. In 64 chips/bit and 32 chips/bit DDR modes, only the SERDES A interrupts are available, and the SERDES B interrupts will never trigger, even if enabled. The interrupts are enabled by writing to the Receive Interrupt Enable register (Reg 0x07), and their status may be determined by reading the Receive Interrupt Status register (Reg 0x08). If more than one interrupt is enabled, it is necessary to read the Receive Interrupt Status register (Reg 0x08) to determine which event caused the IRQ pin to assert.

The function and operation of these interrupts are described in detail in *Section 7.0*.

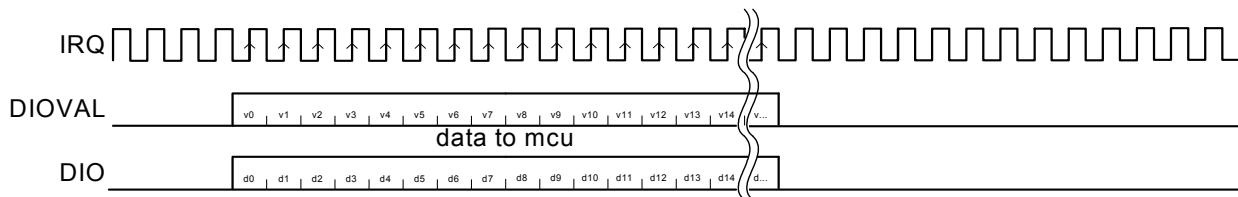


Figure 5-6. DIO Receive Sequence

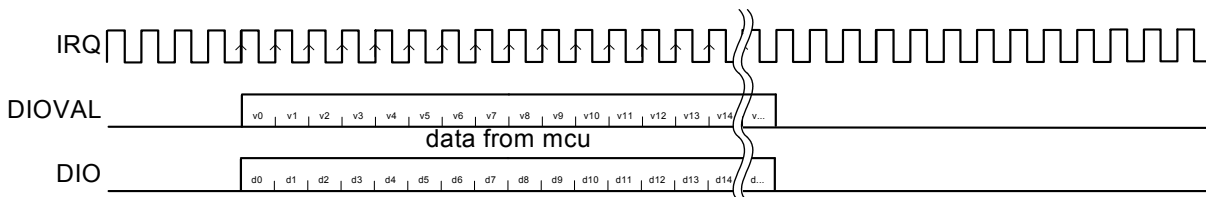


Figure 5-7. DIO Transmit Sequence

6.0 Application Examples

Figure 6-1 shows a block diagram example of a typical battery powered device using the CYWUSB6935 chip.

Figure 6-2 shows an application example of a WirelessUSB LR alarm system where a single hub node is connected to an alarm panel. The hub node wirelessly receives information from multiple sensor nodes in order to control the alarm panel.

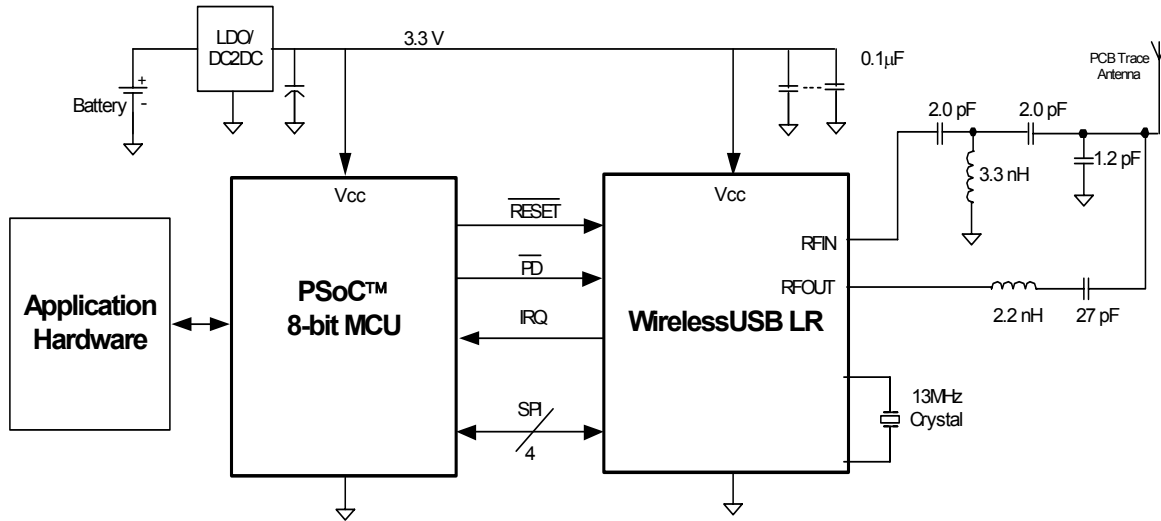


Figure 6-1. CYWUSB6935 Battery Powered Device

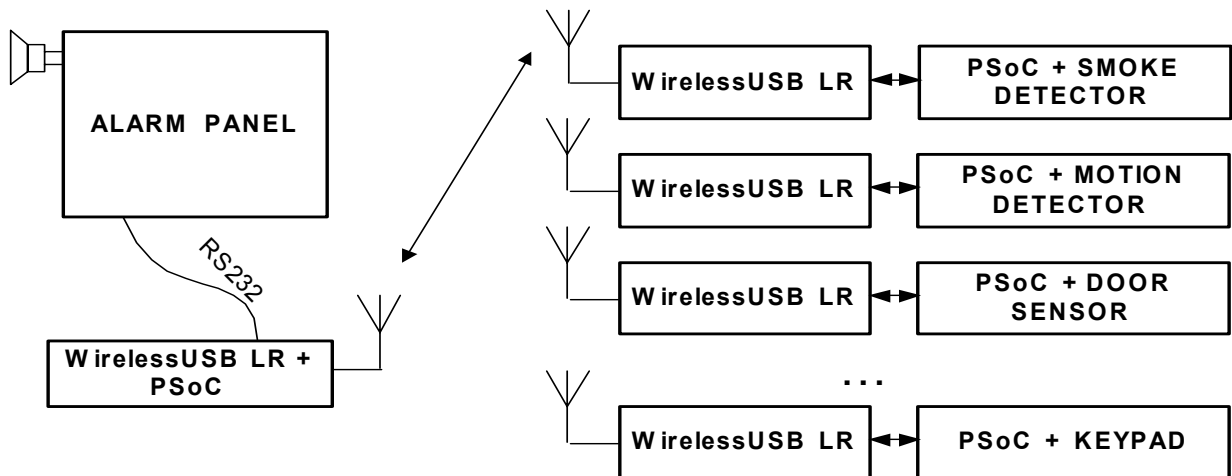


Figure 6-2. WirelessUSB LR Alarm System

7.0 Register Descriptions

Table 7-1 displays the list of registers inside the CYWUSB6935 that are addressable through the SPI interface. All registers are read and writable, except where noted.

Table 7-1. CYWUSB6935 Register Map^[1]

| Register Name | Mnemonic | CYWUSB6935 Address | Page | Default | Access |
|-----------------------------------|--------------------|--------------------|------|--------------------|--------|
| Revision ID | REG_ID | 0x00 | 8 | 0x07 | RO |
| Control | REG_CONTROL | 0x03 | 8 | 0x00 | RW |
| Data Rate | REG_DATA_RATE | 0x04 | 9 | 0x00 | RW |
| Configuration | REG_CONFIG | 0x05 | 10 | 0x01 | RW |
| SERDES Control | REG_SERDES_CTL | 0x06 | 10 | 0x03 | RW |
| Receive SERDES Interrupt Enable | REG_RX_INT_EN | 0x07 | 11 | 0x00 | RW |
| Receive SERDES Interrupt Status | REG_RX_INT_STAT | 0x08 | 12 | 0x00 | RO |
| Receive SERDES Data A | REG_RX_DATA_A | 0x09 | 13 | 0x00 | RO |
| Receive SERDES Valid A | REG_RX_VALID_A | 0x0A | 13 | 0x00 | RO |
| Receive SERDES Data B | REG_RX_DATA_B | 0x0B | 13 | 0x00 | RO |
| Receive SERDES Valid B | REG_RX_VALID_B | 0x0C | 13 | 0x00 | RO |
| Transmit SERDES Interrupt Enable | REG_TX_INT_EN | 0x0D | 14 | 0x00 | RW |
| Transmit SERDES Interrupt Status | REG_TX_INT_STAT | 0x0E | 14 | 0x00 | RO |
| Transmit SERDES Data | REG_TX_DATA | 0x0F | 15 | 0x00 | RW |
| Transmit SERDES Valid | REG_TX_VALID | 0x10 | 15 | 0x00 | RW |
| PN Code | REG_PN_CODE | 0x18–0x11 | 15 | 0x1E8B6A3DE0E9B222 | RW |
| Threshold Low | REG_THRESHOLD_L | 0x19 | 16 | 0x08 | RW |
| Threshold High | REG_THRESHOLD_H | 0x1A | 16 | 0x38 | RW |
| Wake Enable | REG_WAKE_EN | 0x1C | 16 | 0x00 | RW |
| Wake Status | REG_WAKE_STAT | 0x1D | 16 | 0x01 | RO |
| Analog Control | REG_ANALOG_CTL | 0x20 | 17 | 0x04 | RW |
| Channel | REG_CHANNEL | 0x21 | 17 | 0x00 | RW |
| Receive Signal Strength Indicator | REG_RSSI | 0x22 | 18 | 0x00 | RO |
| PA Bias | REG_PA | 0x23 | 18 | 0x00 | RW |
| Crystal Adjust | REG_CRYSTAL_ADJ | 0x24 | 18 | 0x00 | RW |
| VCO Calibration | REG_VCO_CAL | 0x26 | 19 | 0x00 | RW |
| Reg Power Control | REG_PWR_CTL | 0x2E | 19 | 0x00 | RW |
| Carrier Detect | REG_CARRIER_DETECT | 0x2F | 19 | 0x00 | RW |
| Clock Manual | REG_CLOCK_MANUAL | 0x32 | 19 | 0x00 | RW |
| Clock Enable | REG_CLOCK_ENABLE | 0x33 | 19 | 0x00 | RW |
| Synthesizer Lock Count | REG_SYN_LOCK_CNT | 0x38 | 20 | 0x64 | RW |
| Manufacturing ID | REG_MID | 0x3C–0x3F | 20 | – | RO |

Note:

1. All registers are accessed Little Endian.

| Addr: 0x00 | | | | REG_ID | | Default: 0x07 | |
|------------|---|---|---|------------|---|---------------|---|
| 7 | 6 | 5 | 4 | 3 | 2 | 1 | 0 |
| Silicon ID | | | | Product ID | | | |

Figure 7-1. Revision ID Register

| Bit | Name | Description |
|-----|------------|--|
| 7:4 | Silicon ID | These are the Silicon ID revision bits. 0000 = Rev A, 0001 = Rev B, etc. These bits are read-only. |
| 3:0 | Product ID | These are the Product ID revision bits. Fixed at value 0111. These bits are read-only. |

| Addr: 0x03 | | | | REG_CONTROL | | Default: 0x00 | |
|------------|-----------|----------------|---------------------------------|--------------------------|--------------------|---------------|----------|
| 7 | 6 | 5 | 4 | 3 | 2 | 1 | 0 |
| RX Enable | TX Enable | PN Code Select | Bypass Internal Syn Lock Signal | Auto Internal PA Disable | Internal PA Enable | Reserved | Reserved |

Figure 7-2. Control

| Bit | Name | Description |
|-----|---------------------------------|---|
| 7 | RX Enable | The Receive Enable bit is used to place the IC in receive mode. 1 = Receive Enabled 0 = Receive Disabled |
| 6 | TX Enable | The Transmit Enable bit is used to place the IC in transmit mode. 1 = Transmit Enabled 0 = Transmit Disabled |
| 5 | PN Code Select | The Pseudo-Noise Code Select bit selects between the upper or lower half of the 64 chips/bit PN code. 1 = 32 Most Significant Bits of PN code are used 0 = 32 Least Significant Bits of PN code are used This bit applies only when the Code Width bit is set to 32 chips/bit PN codes (Reg 0x04, bit 2=1). |
| 4 | Bypass Internal Syn Lock Signal | This bit controls whether the state machine waits for the internal Syn Lock Signal before waiting for the amount of time specified in the Syn Lock Count register (Reg 0x38), in units of 2 μ s. If the internal Syn Lock Signal is used then set Syn Lock Count to 25 to provide additional assurance that the synthesizer has settled. 1 = Bypass the Internal Syn Lock Signal and wait the amount of time in Syn Lock Count register (Reg 0x38) 0 = Wait for the Syn Lock Signal and then wait the amount of time specified in Syn Lock Count register (Reg 0x38) It is recommended that the application MCU sets this bit to 1 in order to guarantee a consistent settle time for the synthesizer. |
| 3 | Auto Internal PA Disable | The Auto Internal PA Disable bit is used to determine the method of controlling the Internal Power Amplifier. The two options are automatic control by the baseband or by firmware through register writes. For external PA usage, please see the description of the REG_ANALOG_CTL register (Reg 0x20). 1 = Register controlled Internal PA Enable 0 = Auto controlled Internal PA Enable When this bit is set to 1, the enabled state of the Internal PA is directly controlled by bit Internal PA Enable (Reg 0x03, bit 2). It is recommended that this bit is set to 0, leaving the PA control to the baseband. |
| 2 | Internal PA Enable | The Internal PA Enable bit is used to enable or disable the Internal Power Amplifier. 1 = Internal Power Amplifier Enabled 0 = Internal Power Amplifier Disabled This bit only applies when the Auto Internal PA Disable bit is selected (Reg 0x03, bit 3=1), otherwise this bit is don't care. |
| 1 | Reserved | This bit is reserved and should be written with a zero. |
| 0 | Reserved | This bit is reserved and should be written with a zero. |

| Addr: 0x04 | | | REG_DATA_RATE | | | Default: 0x00 | |
|------------|---|---|---------------|---|------------|---------------|-------------|
| 7 | 6 | 5 | 4 | 3 | 2 | 1 | 0 |
| Reserved | | | | | Code Width | Data Rate | Sample Rate |

Figure 7-3. Data Rate

| Bit | Name | Description |
|------------------|-------------|---|
| 7:3 | Reserved | These bits are reserved and should be written with zeroes. |
| 2 ^[2] | Code Width | <p>The Code Width bit is used to select between 32 chips/bit and 64 chips/bit PN codes.</p> <p>1 = 32 chips/bit PN codes 0 = 64 chips/bit PN codes</p> <p>The number of chips/bit used impacts a number of factors such as data throughput, range and robustness to interference. By choosing a 32 chips/bit PN-code, the data throughput can be doubled or even quadrupled (when double data rate is set). A 64 chips/bit PN code offers improved range over its 32 chips/bit counterpart as well as more robustness to interference. By selecting to use a 32 chips/bit PN code a number of other register bits are impacted and need to be addressed. These are PN Code Select (Reg 0x03, bit 5), Data Rate (Reg 0x04, bit 1), and Sample Rate (Reg 0x04, bit 0).</p> |
| 1 ^[2] | Data Rate | <p>The Data Rate bit allows the user to select Double Data Rate mode of operation which delivers a raw data rate of 62.5kbits/sec.</p> <p>1 = Double Data Rate - 2 bits per PN code (No odd bit transmissions) 0 = Normal Data Rate - 1 bit per PN code</p> <p>This bit is applicable only when using 32 chips/bit PN codes which can be selected by setting the Code Width bit (Reg 0x04, bit 2=1). When using Double Data Rate, the raw data throughput is 62.5 kbits/sec because every 32 chips/bit PN code is interpreted as 2 bits of data. When using this mode a single 64 chips/bit PN code is placed in the PN code register. This 64 chips/bit PN code is then split into two and used by the baseband to offer the Double Data Rate capability. When using Normal Data Rate, the raw data throughput is 32 kbits/sec. Additionally, Normal Data Rate enables the user to potentially correlate data using two differing 32 chips/bit PN codes.</p> |
| 0 ^[2] | Sample Rate | <p>The Sample Rate bit allows the use of the 12x sampling when using 32 chips/bit PN codes and Normal Data Rate.</p> <p>1 = 12x Oversampling 0 = 6x Oversampling</p> <p>Using 12x oversampling improves the correlators receive sensitivity. When using 64 chips/bit PN codes or Double Data Rate this bit is don't care. The only time when 12x oversampling can be selected is when a 32 chips/bit PN code is being used with Normal Data Rate.</p> |

Note:

2. The following Reg 0x04, bits 2:0 values are not valid:
 - 001–Not Valid
 - 010–Not Valid
 - 011–Not Valid
 - 111–Not Valid

| Addr: 0x05 | | | REG_CONFIG | | | | Default: 0x01 | |
|------------|---|---|------------|---|---|----------------|---------------|--|
| 7 | 6 | 5 | 4 | 3 | 2 | 1 | 0 | |
| Reserved | | | | | | IRQ Pin Select | | |

Figure 7-4. Configuration

| Bit | Name | Description |
|-----|----------------|--|
| 7:2 | Reserved | These bits are reserved and should be written with zeroes. |
| 1:0 | IRQ Pin Select | The Interrupt Request Pin Select bits are used to determine the drive method of the IRQ pin. 11 = Open Source (IRQ asserted = 1, IRQ deasserted = Hi-Z) 10 = Open Drain (IRQ asserted = 0, IRQ deasserted = Hi-Z) 01 = CMOS (IRQ asserted = 1, IRQ deasserted = 0) 00 = CMOS Inverted (IRQ asserted = 0, IRQ deasserted = 1) |

| Addr: 0x06 | | | REG_SERDES_CTL | | | | Default: 0x03 | |
|------------|---|---|----------------|---------------|------------|---|---------------|--|
| 7 | 6 | 5 | 4 | 3 | 2 | 1 | 0 | |
| Reserved | | | | SERDES Enable | EOF Length | | | |

Figure 7-5. SERDES Control

| Bit | Name | Description |
|-----|---------------|---|
| 7:4 | Reserved | These bits are reserved and should be written with zeroes. |
| 3 | SERDES Enable | The SERDES Enable bit is used to switch between bit-serial mode and SERDES mode. 1 = SERDES enabled 0 = SERDES disabled, bit-serial mode enabled When the SERDES is enabled data can be written to and read from the IC one byte at a time, through the use of the SERDES Data registers. The bit-serial mode requires bits to be written one bit at a time through the use of the DIO/DIOVAL pins, refer to section 3.2. It is recommended that SERDES mode be used to avoid the need to manage the timing required by the bit-serial mode. |
| 2:0 | EOF Length | The End of Frame Length bits are used to set the number of sequential bit times for an inter-frame gap without valid data before an EOF event will be generated. When in receive mode and a valid bit has been received the EOF event can then be identified by the number of bit times that expire without correlating any new data. The EOF event causes data to be moved to the proper SERDES Data Register and can also be used to generate interrupts. If 0 is the EOF length, an EOF condition will occur at the first invalid bit after a valid reception. |

| Addr: 0x07 | | REG_RX_INT_EN | | | | Default: 0x00 | |
|-------------|------------|---------------|--------|-------------|------------|---------------|--------|
| 7 | 6 | 5 | 4 | 3 | 2 | 1 | 0 |
| Underflow B | Overflow B | EOF B | Full B | Underflow A | Overflow A | EOF A | Full A |

Figure 7-6. Receive SERDES Interrupt Enable

| Bit | Name | Description |
|-----|-------------|--|
| 7 | Underflow B | <p>The Underflow B bit is used to enable the interrupt associated with an underflow condition with the Receive SERDES Data B register (Reg 0x0B)</p> <p>1 = Underflow B interrupt enabled for Receive SERDES Data B 0 = Underflow B interrupt disabled for Receive SERDES Data B</p> <p>An underflow condition occurs when attempting to read the Receive SERDES Data B register (Reg 0x0B) when it is empty.</p> |
| 6 | Overflow B | <p>The Overflow B bit is used to enable the interrupt associated with an overflow condition with the Receive SERDES Data B register (Reg 0x0B)</p> <p>1 = Overflow B interrupt enabled for Receive SERDES Data B 0 = Overflow B interrupt disabled for Receive SERDES Data B</p> <p>An overflow condition occurs when new received data is written into the Receive SERDES Data B register (Reg 0x0B) before the prior data is read out.</p> |
| 5 | EOF B | <p>The End of Frame B bit is used to enable the interrupt associated with the Channel B Receiver EOF condition.</p> <p>1 = EOF B interrupt enabled for Channel B Receiver 0 = EOF B interrupt disabled for Channel B Receiver</p> <p>The EOF IRQ asserts during an End of Frame condition. End of Frame conditions occur after at least one bit has been detected, and then the number of invalid bits in the frame exceeds the number in the EOF length field. If 0 is the EOF length, and EOF condition will occur at the first invalid bit after a valid reception. This IRQ is cleared by reading the receive status register</p> |
| 4 | Full B | <p>The Full B bit is used to enable the interrupt associated with the Receive SERDES Data B register (Reg 0x0B) having data placed in it.</p> <p>1 = Full B interrupt enabled for Receive SERDES Data B 0 = Full B interrupt disabled for Receive SERDES Data B</p> <p>A Full B condition occurs when data is transferred from the Channel B Receiver into the Receive SERDES Data B register (Reg 0x0B). This could occur when a complete byte is received or when an EOF event occurs whether or not a complete byte has been received.</p> |
| 3 | Underflow A | <p>The Underflow A bit is used to enable the interrupt associated with an underflow condition with the Receive SERDES Data A register (Reg 0x09)</p> <p>1 = Underflow A interrupt enabled for Receive SERDES Data A 0 = Underflow A interrupt disabled for Receive SERDES Data A</p> <p>An underflow condition occurs when attempting to read the Receive SERDES Data A register (Reg 0x09) when it is empty.</p> |
| 2 | Overflow A | <p>The Overflow A bit is used to enable the interrupt associated with an overflow condition with the Receive SERDES Data A register (0x09)</p> <p>1 = Overflow A interrupt enabled for Receive SERDES Data A 0 = Overflow A interrupt disabled for Receive SERDES Data A</p> <p>An overflow condition occurs when new receive data is written into the Receive SERDES Data A register (Reg 0x09) before the prior data is read out.</p> |
| 1 | EOF A | <p>The End of Frame A bit is used to enable the interrupt associated with an End of Frame condition with the Channel A Receiver.</p> <p>1 = EOF A interrupt enabled for Channel A Receiver 0 = EOF A interrupt disabled for Channel A Receiver</p> <p>The EOF IRQ asserts during an End of Frame condition. End of Frame conditions occur after at least one bit has been detected, and then the number of invalid bits in a frame exceeds the number in the EOF length field. If 0 is the EOF length, an EOF condition will occur at the first invalid bit after a valid reception. This IRQ is cleared by reading the receive status register.</p> |
| 0 | Full A | <p>The Full A bit is used to enable the interrupt associated with the Receive SERDES Data A register (0x09) having data written into it.</p> <p>1 = Full A interrupt enabled for Receive SERDES Data A 0 = Full A interrupt disabled for Receive SERDES Data A</p> <p>A Full A condition occurs when data is transferred from the Channel A Receiver into the Receive SERDES Data A register (Reg 0x09). This could occur when a complete byte is received or when an EOF event occurs whether or not a complete byte has been received.</p> |

| Addr: 0x08 | | REG_RX_INT_STAT | | | | Default: 0x00 | |
|------------|------------------|-----------------|--------|---------|------------------|---------------|--------|
| 7 | 6 | 5 | 4 | 3 | 2 | 1 | 0 |
| Valid B | Flow Violation B | EOF B | Full B | Valid A | Flow Violation A | EOF A | Full A |

Figure 7-7. Receive SERDES Interrupt Status^[3]

| Bit | Name | Description |
|-----|------------------|--|
| 7 | Valid B | <p>The Valid B bit is true when all the bits in the Receive SERDES Data B register (Reg 0x0B) are valid.</p> <p>1 = All bits are valid for Receive SERDES Data B 0 = Not all bits are valid for Receive SERDES Data B</p> <p>When data is written into the Receive SERDES Data B register (Reg 0x0B) this bit is set if all of the bits within the byte that has been written are valid. This bit cannot generate an interrupt.</p> |
| 6 | Flow Violation B | <p>The Flow Violation B bit is used to signal whether an overflow or underflow condition has occurred for the Receive SERDES Data B register (Reg 0x0B).</p> <p>1 = Overflow/underflow interrupt pending for Receive SERDES Data B 0 = No overflow/underflow interrupt pending for Receive SERDES Data B</p> <p>Overflow conditions occur when the radio loads new data into the Receive SERDES Data B register (Reg 0x0B) before the prior data has been read. Underflow conditions occur when trying to read the Receive SERDES Data B register (Reg 0x0B) when the register is empty. This bit is cleared by reading the Receive Interrupt Status register (Reg 0x08)</p> |
| 5 | EOF B | <p>The End of Frame B bit is used to signal whether an EOF event has occurred on the Channel B receive.</p> <p>1 = EOF interrupt pending for Channel B 0 = No EOF interrupt pending for Channel B</p> <p>An EOF condition occurs for the Channel B Receiver when receive has begun and then the number of bit times specified in the SERDES Control register (Reg 0x06) elapse without any valid bits being received. This bit is cleared by reading the Receive Interrupt Status register (Reg 0x08)</p> |
| 4 | Full B | <p>The Full B bit is used to signal when the Receive SERDES Data B register (Reg 0x0B) is filled with data.</p> <p>1 = Receive SERDES Data B full interrupt pending 0 = No Receive SERDES Data B full interrupt pending</p> <p>A Full B condition occurs when data is transferred from the Channel B Receiver into the Receive SERDES Data B register (Reg 0x0B). This could occur when a complete byte is received or when an EOF event occurs whether or not a complete byte has been received.</p> |
| 3 | Valid A | <p>The Valid A bit is true when all of the bits in the Receive SERDES Data A Register (Reg 0x09) are valid.</p> <p>1 = All bits are valid for Receive SERDES Data A 0 = Not all bits are valid for Receive SERDES Data A</p> <p>When data is written into the Receive SERDES Data A register (Reg 0x09) this bit is set if all of the bits within the byte that has been written are valid. This bit cannot generate an interrupt.</p> |
| 2 | Flow Violation A | <p>The Flow Violation A bit is used to signal whether an overflow or underflow condition has occurred for the Receive SERDES Data A register (Reg 0x09).</p> <p>1 = Overflow/underflow interrupt pending for Receive SERDES Data A 0 = No overflow/underflow interrupt pending for Receive SERDES Data A</p> <p>Overflow conditions occur when the radio loads new data into the Receive SERDES Data A register (Reg 0x09) before the prior data has been read. Underflow conditions occur when trying to read the Receive SERDES Data A register (Reg 0x09) when the register is empty. This bit is cleared by reading the Receive Interrupt Status register (Reg 0x08)</p> |
| 1 | EOF A | <p>The End of Frame A bit is used to signal whether an EOF event has occurred on the Channel A receive.</p> <p>1 = EOF interrupt pending for Channel A 0 = No EOF interrupt pending for Channel A</p> <p>An EOF condition occurs for the Channel A Receiver when receive has begun and then the number of bit times specified in the SERDES Control register (0x06) elapse without any valid bits being received. This bit is cleared by reading the Receive Interrupt Status register (Reg 0x08).</p> |
| 0 | Full A | <p>The Full A bit is used to signal when the Receive SERDES Data A register (Reg 0x09) is filled with data.</p> <p>1 = Receive SERDES Data A full interrupt pending 0 = No Receive SERDES Data A full interrupt pending</p> <p>A Full A condition occurs when data is transferred from the Channel A Receiver into the Receive SERDES Data A Register (Reg 0x09). This could occur when a complete byte is received or when an EOF event occurs whether or not a complete byte has been received.</p> |

Note:

- All status bits are set and readable in the registers regardless of IRQ enable status. This allows a polling scheme to be implemented without enabling IRQs. The status bits are affected by TX Enable and RX Enable (Reg 0x03, bits 7:6). For example, the receive status will read 0 if the IC is not in receive mode. These registers are read-only.

| Addr: 0x09 | | REG_RX_DATA_A | | | | | | Default: 0x00 | |
|------------|---|---------------|---|---|---|---|---|---------------|--|
| 7 | 6 | 5 | 4 | 3 | 2 | 1 | 0 | | |
| Data | | | | | | | | | |

Figure 7-8. Receive SERDES Data A
Bit Name Description

7:0 Data Received Data for Channel A. The over-the-air received order is bit 0 followed by bit 1, followed by bit 2, followed by bit 3, followed by bit 4, followed by bit 5, followed by bit 6, followed by bit 7. This register is read-only.

| Addr: 0x0A | | REG_RX_VALID_A | | | | | | Default: 0x00 | |
|------------|---|----------------|---|---|---|---|---|---------------|--|
| 7 | 6 | 5 | 4 | 3 | 2 | 1 | 0 | | |
| Valid | | | | | | | | | |

Figure 7-9. Receive SERDES Valid A
Bit Name Description

7:0 Valid These bits indicate which of the bits in the Receive SERDES Data A register (Reg 0x09) are valid. A "1" indicates that the corresponding data bit is valid for Channel A.
 If the Valid Data bit is set in the Receive Interrupt Status register (Reg 0x08) all eight bits in the Receive SERDES Data A register (Reg 0x09) are valid. Therefore, it is not necessary to read the Receive SERDES Valid A register (Reg 0x0A). This register is read-only.

| Addr: 0x0B | | REG_RX_DATA_B | | | | | | Default: 0x00 | |
|------------|---|---------------|---|---|---|---|---|---------------|--|
| 7 | 6 | 5 | 4 | 3 | 2 | 1 | 0 | | |
| Data | | | | | | | | | |

Figure 7-10. Receive SERDES Data B
Bit Name Description

7:0 Data Received Data for Channel B. The over-the-air received order is bit 0 followed by bit 1, followed by bit 2, followed by bit 3, followed by bit 4, followed by bit 5, followed by bit 6, followed by bit 7. This register is read-only.

| Addr: 0x0C | | REG_RX_VALID_B | | | | | | Default: 0x00 | |
|------------|---|----------------|---|---|---|---|---|---------------|--|
| 7 | 6 | 5 | 4 | 3 | 2 | 1 | 0 | | |
| Valid | | | | | | | | | |

Figure 7-11. Receive SERDES Valid B
Bit Name Description

7:0 Valid These bits indicate which of the bits in the Receive SERDES Data B register (Reg 0x0B) are valid. A "1" indicates that the corresponding data bit is valid for Channel B.
 If the Valid Data bit is set in the Receive Interrupt Status register (0x08) all eight bits in the Receive SERDES Data B register (Reg 0x0B) are valid. Therefore, it is not necessary to read the Receive SERDES Valid B register (Reg 0x0C). This register is read-only.

| Addr: 0x0D | | REG_TX_INT_EN | | | | Default: 0x00 | |
|------------|---|---------------|---|-----------|----------|---------------|-------|
| 7 | 6 | 5 | 4 | 3 | 2 | 1 | 0 |
| Reserved | | | | Underflow | Overflow | Done | Empty |

Figure 7-12. Transmit SERDES Interrupt Enable

| Bit | Name | Description |
|-----|-----------|---|
| 7:4 | Reserved | These bits are reserved and should be written with zeroes. |
| 3 | Underflow | <p>The Underflow bit is used to enable the interrupt associated with an underflow condition associated with the Transmit SERDES Data register (Reg 0x0F)</p> <p>1 = Underflow interrupt enabled 0 = Underflow interrupt disabled</p> <p>An underflow condition occurs when attempting to transmit while the Transmit SERDES Data register (Reg 0x0F) does not have any data.</p> |
| 2 | Overflow | <p>The Overflow bit is used to enable the interrupt associated with an overflow condition with the Transmit SERDES Data register (0x0F).</p> <p>1 = Overflow interrupt enabled 0 = Overflow interrupt disabled</p> <p>An overflow condition occurs when attempting to write new data to the Transmit SERDES Data register (Reg 0x0F) before the preceding data has been transferred to the transmit shift register.</p> |
| 1 | Done | <p>The Done bit is used to enable the interrupt that signals the end of the transmission of data.</p> <p>1 = Done interrupt enabled 0 = Done interrupt disabled</p> <p>The Done condition occurs when the Transmit SERDES Data register (Reg 0x0F) has transmitted all of its data and there is no more data for it to transmit.</p> |
| 0 | Empty | <p>The Empty bit is used to enable the interrupt that signals when the Transmit SERDES register (Reg 0x0F) is empty.</p> <p>1 = Empty interrupt enabled 0 = Empty interrupt disabled</p> <p>The Empty condition occurs when the Transmit SERDES Data register (Reg 0x0F) is loaded into the transmit buffer and it's safe to load the next byte</p> |

| Addr: 0x0E | | REG_TX_INT_STAT | | | | Default: 0x00 | |
|------------|---|-----------------|---|-----------|----------|---------------|-------|
| 7 | 6 | 5 | 4 | 3 | 2 | 1 | 0 |
| Reserved | | | | Underflow | Overflow | Done | Empty |

Figure 7-13. Transmit SERDES Interrupt Status^[4]

| Bit | Name | Description |
|-----|-----------|---|
| 7:4 | Reserved | These bits are reserved. This register is read-only. |
| 3 | Underflow | <p>The Underflow bit is used to signal when an underflow condition associated with the Transmit SERDES Data register (Reg 0x0F) has occurred.</p> <p>1 = Underflow Interrupt pending 0 = No Underflow Interrupt pending</p> <p>This IRQ will assert during an underflow condition to the Transmit SERDES Data register (Reg 0x0F). An underflow occurs when the transmitter is ready to sample transmit data, but there is no data ready in the Transmit SERDES Data register (Reg 0x0F). This will only assert after the transmitter has transmitted at least one bit. This bit is cleared by reading the Transmit Interrupt Status register (Reg 0x0E).</p> |
| 2 | Overflow | <p>The Overflow bit is used to signal when an overflow condition associated with the Transmit SERDES Data register (0x0F) has occurred.</p> <p>1 = Overflow Interrupt pending 0 = No Overflow Interrupt pending</p> <p>This IRQ will assert during an overflow condition to the Transmit SERDES Data register (Reg 0x0F). An overflow occurs when the new data is loaded into the Transmit SERDES Data register (Reg 0x0F) before the previous data has been sent. This bit is cleared by reading the Transmit Interrupt Status register (Reg 0x0E).</p> |
| 1 | Done | <p>The Done bit is used to signal the end of a data transmission.</p> <p>1 = Done Interrupt pending 0 = No Done Interrupt pending</p> <p>This IRQ will assert when the data is finished sending a byte of data and there is no more data to be sent. This will only assert after the transmitter has transmitted at least one bit. This bit is cleared by reading the Transmit Interrupt Status register (Reg 0x0E)</p> |
| 0 | Empty | <p>The Empty bit is used to signal when the Transmit SERDES Data register (Reg 0x0F) has been emptied.</p> <p>1 = Empty Interrupt pending 0 = No Empty Interrupt pending</p> <p>This IRQ will assert when the transmit serdes is empty. When this IRQ is asserted it is ok to write to the Transmit SERDES Data register (Reg 0x0F). Writing the Transmit SERDES Data register (Reg 0x0F) will clear this IRQ. It will be set when the data is loaded into the transmitter, and it is ok to write new data.</p> |

Note:

- All status bits are set and readable in the registers regardless of IRQ enable status. This allows a polling scheme to be implemented without enabling IRQs. The status bits are affected by the TX Enable and RX Enable (Reg 0x03, bits 7:6). For example, the transmit status will read 0 if the IC is not in transmit mode. These registers are read-only.

| Addr: 0x0F | | | | REG_TX_DATA | | | | Default: 0x00 | | | |
|------------|---|---|---|-------------|---|---|---|---------------|--|--|--|
| 7 | 6 | 5 | 4 | 3 | 2 | 1 | 0 | | | | |
| Data | | | | | | | | | | | |

Figure 7-14. Transmit SERDES Data
Bit Name Description

7:0 Data Transmit Data. The over-the-air transmitted order is bit 0 followed by bit 1, followed by bit 2, followed by bit 3, followed by bit 4, followed by bit 5, followed by bit 6, followed by bit 7.

| Addr: 0x10 | | | | REG_TX_VALID | | | | Default: 0x00 | | | |
|------------|---|---|---|--------------|---|---|---|---------------|--|--|--|
| 7 | 6 | 5 | 4 | 3 | 2 | 1 | 0 | | | | |
| Valid | | | | | | | | | | | |

Figure 7-15. Transmit SERDES Valid
Bit Name Description

7:0 Valid^[5] The Valid bits are used to determine which of the bits in the Transmit SERDES Data register (reg 0x0F) are valid.
 1 = Valid transmit bit
 0 = Invalid transmit bit

| Addr: 0x18-11 | | | | | | | | | | | | | | | | REG_PN_CODE | | | | | | | | | | | | | | | | Default: 0x1E8B6A3DE0E9B222 | | | | | | | | | | | | | | | |
|---------------|----|----|----|----|----|----|----|--------------|----|----|----|----|----|----|----|--------------|----|----|----|----|----|----|----|--------------|----|----|----|----|----|----|----|-----------------------------|--|--|--|--|--|--|--|--|--|--|--|--|--|--|--|
| 63 | 62 | 61 | 60 | 59 | 58 | 57 | 56 | 55 | 54 | 53 | 52 | 51 | 50 | 49 | 48 | 47 | 46 | 45 | 44 | 43 | 42 | 41 | 40 | 39 | 38 | 37 | 36 | 35 | 34 | 33 | 32 | | | | | | | | | | | | | | | | |
| Address 0x18 | | | | | | | | Address 0x17 | | | | | | | | Address 0x16 | | | | | | | | Address 0x15 | | | | | | | | | | | | | | | | | | | | | | | |
| | | | | | | | | | | | | | | | | | | | | | | | | | | | | | | | | | | | | | | | | | | | | | | | |
| 31 | 30 | 29 | 28 | 27 | 26 | 25 | 24 | 23 | 22 | 21 | 20 | 19 | 18 | 17 | 16 | 15 | 14 | 13 | 12 | 11 | 10 | 9 | 8 | 7 | 6 | 5 | 4 | 3 | 2 | 1 | 0 | | | | | | | | | | | | | | | | |
| Address 0x14 | | | | | | | | Address 0x13 | | | | | | | | Address 0x12 | | | | | | | | Address 0x11 | | | | | | | | | | | | | | | | | | | | | | | |

Figure 7-16. PN Code
Bit Name Description

63:0 PN Codes The value inside the 8 byte PN code register is used as the spreading code for DSSS communication. All 8 bytes can be used together for 64 chips/bit PN code communication, or the registers can be split into two sets of 32 chips/bit PN codes and these can be used alone or with each other to accomplish faster data rates. Not any 64 chips/bit value can be used as a PN code as there are certain characteristics that are needed to minimize the possibility of multiple PN codes interfering with each other or the possibility of invalid correlation. The over-the-air order is bit 0 followed by bit 1... followed by bit 62, followed by bit 63.

Note:

- The Valid bit in the Transmit SERDES Valid register (Reg 0x10) is used to mark whether the radio will send data or preamble during that bit time of the data byte. Data is sent LSB first. The SERDES will continue to send data until there are no more VALID bits in the shifter. For example, writing 0x0F to the Transmit SERDES Valid register (Reg 0x10) will send half a byte.

| Addr: 0x19 | | REG_THRESHOLD_L | | | | | | Default: 0x08 | |
|------------|---|-----------------|---|---|---|---|---|---------------|--|
| 7 | 6 | 5 | 4 | 3 | 2 | 1 | 0 | | |
| Reserved | | Threshold Low | | | | | | | |

Figure 7-17. Threshold Low

| Bit | Name | Description |
|-----|---------------|--|
| 7 | Reserved | This bit is reserved and should be written with zero. |
| 6:0 | Threshold Low | The Threshold Low value is used to determine the number of missed chips allowed when attempting to correlate a single data bit of value '0'. A perfect reception of a data bit of '0' with a 64 chips/bit PN code would result in zero correlation matches, meaning the exact inverse of the PN code has been received. By setting the Threshold Low value to 0x08 for example, up to eight chips can be erroneous while still identifying the value of the received data bit. This value along with the Threshold High value determine the correlator count values for logic '1' and logic '0'. The threshold values used determine the sensitivity of the receiver to interference and the dependability of the received data. By allowing a minimal number of erroneous chips the dependability of the received data increases while the robustness to interference decreases. On the other hand increasing the maximum number of missed chips means reduced data integrity but increased robustness to interference and increased range. |

| Addr: 0x1A | | REG_THRESHOLD_H | | | | | | Default: 0x38 | |
|------------|---|-----------------|---|---|---|---|---|---------------|--|
| 7 | 6 | 5 | 4 | 3 | 2 | 1 | 0 | | |
| Reserved | | Threshold High | | | | | | | |

Figure 7-18. Threshold High

| Bit | Name | Description |
|-----|----------------|---|
| 7 | Reserved | This bit is reserved and should be written with zero. |
| 6:0 | Threshold High | The Threshold High value is used to determine the number of matched chips allowed when attempting to correlate a single data bit of value '1'. A perfect reception of a data bit of '1' with a 64 chips/bit or a 32 chips/bit PN code would result in 64 chips/bit or 32 chips/bit correlation matches, respectively, meaning every bit was received perfectly. By setting the Threshold High value to 0x38 (64-8) for example, up to eight chips can be erroneous while still identifying the value of the received data bit. This value along with the Threshold Low value determine the correlator count values for logic '1' and logic '0'. The threshold values used determine the sensitivity of the receiver to interference and the dependability of the received data. By allowing a minimal number of erroneous chips the dependability of the received data increases while the robustness to interference decreases. On the other hand increasing the maximum number of missed chips means reduced data integrity but increased robustness to interference and increased range. |

| Addr: 0x1C | | REG_WAKE_EN | | | | | | Default: 0x00 | |
|------------|---|-------------|---|---|---|---|---------------|---------------|--|
| 7 | 6 | 5 | 4 | 3 | 2 | 1 | 0 | | |
| Reserved | | | | | | | Wakeup Enable | | |

Figure 7-19. Wake Enable

| Bit | Name | Description |
|-----|---------------|---|
| 7:1 | Reserved | These bits are reserved and should be written with zeroes. |
| 0 | Wakeup Enable | Wakeup interrupt enable. 0 = disabled 1 = enabled A wakeup event is triggered when the \overline{PD} pin is deasserted and once the IC is ready to receive SPI communications. |

| Addr: 0x1D | | REG_WAKE_STAT | | | | | | Default: 0x01 | |
|------------|---|---------------|---|---|---|---|---------------|---------------|--|
| 7 | 6 | 5 | 4 | 3 | 2 | 1 | 0 | | |
| Reserved | | | | | | | Wakeup Status | | |

Figure 7-20. Wake Status

| Bit | Name | Description |
|-----|---------------|--|
| 7:1 | Reserved | These bits are reserved. This register is read-only. |
| 0 | Wakeup Status | Wakeup status. 0 = Wake interrupt not pending 1 = Wake interrupt pending This IRQ will assert when a wakeup condition occurs. This bit is cleared by reading the Wake Status register (Reg 0x1D). This register is read-only. |

| Addr: 0x20 | | REG_ANALOG_CTL | | | | Default: 0x00 | |
|------------|-------------------|-----------------|----------|----------|------------------|---------------|-------|
| 7 | 6 | 5 | 4 | 3 | 2 | 1 | 0 |
| Reserved | Reg Write Control | MID Read Enable | Reserved | Reserved | PA Output Enable | PA Invert | Reset |

Figure 7-21. Analog Control

| Bit | Name | Description |
|-----|-------------------|--|
| 7 | Reserved | This bit is reserved and should be written with zero. |
| 6 | Reg Write Control | Enables write access to Reg 0x2E and Reg 0x2F. 1 = Enables write access to Reg 0x2E and Reg 0x2F 0 = Reg 0x2E and Reg 0x2F are read-only |
| 5 | MID Read Enable | The MID Read Enable bit must be set to read the contents of the Manufacturing ID register (Reg 0x3C-0x3F). Enabling the Manufacturing ID register (Reg 0x3C-0x3F) consumes power. This bit should only be set when reading the contents of the Manufacturing ID register (Reg 0x3C-0x3F). 1 = Enables read of MID registers 0 = Disables read of MID registers |
| 4:3 | Reserved | These bits are reserved and should be written with zeroes. |
| 2 | PA Output Enable | The Power Amplifier Output Enable bit is used to enable the PACTL pin for control of an external power amplifier. 1 = PA Control Output Enabled on PACTL pin 0 = PA Control Output Disabled on PACTL pin |
| 1 | PA Invert | The Power Amplifier Invert bit is used to specify the polarity of the PACTL signal when the PaOe bit is set high. PA Output Enable and PA Invert cannot be simultaneously changed. 1 = PACTL active low 0 = PACTL active high |
| 0 | Reset | The Reset bit is used to generate a self-clearing device reset. 1 = Device Reset. All registers are restored to their default values. 0 = No Device Reset. |

| Addr: 0x21 | | REG_CHANNEL | | | | Default: 0x00 | |
|------------|---------|-------------|---|---|---|---------------|---|
| 7 | 6 | 5 | 4 | 3 | 2 | 1 | 0 |
| Reserved | Channel | | | | | | |

Figure 7-22. Channel

| Bit | Name | Description |
|-----|----------|--|
| 7 | Reserved | This bit is reserved and should be written with zero. |
| 6:0 | Channel | The Channel register (Reg 0x21) is used to determine the Synthesizer frequency. A value of 2 corresponds to a communication frequency of 2.402 GHz, while a value of 79 corresponds to a frequency of 2.479 GHz. The channels are separated from each other by 1 MHz intervals. Limit application usage to channels 2–79 to adhere to FCC regulations. FCC regulations require that channels 0 and 1 and any channel greater than 79 be avoided. Use of other channels may be restricted by other regulatory agencies. The application MCU must ensure that this register is modified before transmitting data over the air for the first time. |

| Addr: 0x22 | | REG_RSSI | | | | Default: 0x00 | |
|------------|---|----------|------|---|---|---------------|---|
| 7 | 6 | 5 | 4 | 3 | 2 | 1 | 0 |
| Reserved | | Valid | RSSI | | | | |

Figure 7-23. Receive Signal Strength Indicator (RSSI)^[6]
Bit Name Description

- 7:6 Reserved These bits are reserved. This register is read-only.
- 5 Valid The Valid bit indicates whether the RSSI value in bits [4:0] are valid. This register is Read Only.
 1 = RSSI value is valid
 0 = RSSI value is invalid
- 4:0 RSSI The Receive Strength Signal Indicator (RSSI) value indicates the strength of the received signal. This is a read only value with the higher values indicating stronger received signals meaning more reliable transmissions.

| Addr: 0x23 | | REG_PA | | | | Default: 0x00 | |
|------------|---|--------|---|---|---------|---------------|---|
| 7 | 6 | 5 | 4 | 3 | 2 | 1 | 0 |
| Reserved | | | | | PA Bias | | |

Figure 7-24. PA Bias
Bit Name Description

- 7:3 Reserved These bits are reserved and should be written with zeroes.
- 2:0 PA Bias The Power Amplifier Bias (PA Bias) bits are used to set the transmit power of the IC through increasing (values up to 7) or decreasing (values down to 0) the gain of the on-chip Power Amplifier. The higher the register value the higher the transmit power. By changing the PA Bias value signal strength management functions can be accomplished. For general purpose communication a value of 7 is recommended. See *Table 4-1* for typical output power steps based on the PA Bias bit settings.

| Addr: 0x24 | | REG_CRYSTAL_ADJ | | | | Default: 0x00 | |
|------------|----------------------|-----------------|---|---|---|---------------|---|
| 7 | 6 | 5 | 4 | 3 | 2 | 1 | 0 |
| Reserved | Clock Output Disable | Crystal Adjust | | | | | |

Figure 7-25. Crystal Adjust
Bit Name Description

- 7 Reserved This bit is reserved and should be written with zero.
- 6 Clock Output Disable The Clock Output Disable bit disables the 13-MHz clock driven on the X13OUT pin.
 1 = No 13-MHz clock driven externally
 0 = 13-MHz clock driven externally
 If the 13-MHz clock is driven on the X13OUT pin then receive sensitivity will be reduced by -4 dBm on channels 5+13n. By default the 13-MHz clock output pin is enabled. This pin is useful for adjusting the 13-MHz clock, but it interfere with every 13th channel beginning with 2.405-GHz channel. Therefore, it is recommended that the 13-MHz clock output pin be disabled when not in use.
- 5:0 Crystal Adjust The Crystal Adjust value is used to calibrate the on-chip parallel load capacitance supplied to the crystal. Each increment of the Crystal Adjust value typically adds 0.135 pF of parallel load capacitance. The total range is 8.5 pF, starting at 8.65 pF. These numbers do not include PCB parasitics, which can add an additional 1–2 pF.

Note:

6. The RSSI will collect a single value each time the part is put into receive mode via Control register (Reg 0x03, bit 7=1). See *Section 4.7* for more details.

| Addr: 0x26 | | REG_VCO_CAL | | | | | | Default: 0x00 |
|------------------|---|-------------|---|---|---|---|---|---------------|
| 7 | 6 | 5 | 4 | 3 | 2 | 1 | 0 | |
| VCO Slope Enable | | Reserved | | | | | | |

Figure 7-26. VCO Calibration

| Bit | Name | Description |
|-----|-------------------------------|--|
| 7:6 | VCO Slope Enable (Write-Only) | The Voltage Controlled Oscillator (VCO) Slope Enable bits are used to specify the amount of variance automatically added to the VCO. 11 = -5/+5 VCO adjust. The application MCU must configure this option during initialization 10 = -2/+3 VCO adjust 01 = Reserved 00 = No VCO adjust These bits are undefined for read operations. |
| 5:0 | Reserved | These bits are reserved and should be written with zeroes. |

| Addr: 0x2E | | REG_PWR_CTL | | | | | | Default: 0x00 |
|-------------------|---|-------------|---|---|---|---|---|---------------|
| 7 | 6 | 5 | 4 | 3 | 2 | 1 | 0 | |
| Reg Power Control | | Reserved | | | | | | |

Figure 7-27. Reg Power Control

| Bit | Name | Description |
|-----|-------------------|--|
| 7 | Reg Power Control | When set, this bit disables unused circuitry and saves radio power. The user must set Reg 0x20, bit 6 = 1 to enable writes to Reg 0x2E. The application MCU must set this bit during initialization. |
| 6:0 | Reserved | These bits are reserved and should be written with zeroes. |

| Addr: 0x2F | | REG_CARRIER_DETECT | | | | | | Default: 0x00 |
|-------------------------|---|--------------------|---|---|---|---|---|---------------|
| 7 | 6 | 5 | 4 | 3 | 2 | 1 | 0 | |
| Carrier Detect Override | | Reserved | | | | | | |

Figure 7-28. Carrier Detect

| Bit | Name | Description |
|-----|-------------------------|--|
| 7 | Carrier Detect Override | When set, this bit overrides carrier detect. The user must set Reg 0x20, bit 6=1 to enable writes to Reg 0x2F. |
| 6:0 | Reserved | These bits are reserved and should be written with zeroes. |

| Addr: 0x32 | | REG_CLOCK_MANUAL | | | | | | Default: 0x00 |
|------------------------|---|------------------|---|---|---|---|---|---------------|
| 7 | 6 | 5 | 4 | 3 | 2 | 1 | 0 | |
| Manual Clock Overrides | | | | | | | | |

Figure 7-29. Clock Manual

| Bit | Name | Description |
|-----|------------------------|---|
| 7:0 | Manual Clock Overrides | This register must be written with 0x41 after reset for correct operation |

| Addr: 0x33 | | REG_CLOCK_ENABLE | | | | | | Default: 0x00 |
|----------------------|---|------------------|---|---|---|---|---|---------------|
| 7 | 6 | 5 | 4 | 3 | 2 | 1 | 0 | |
| Manual Clock Enables | | | | | | | | |

Figure 7-30. Clock Enable

| Bit | Name | Description |
|-----|----------------------|---|
| 7:0 | Manual Clock Enables | This register must be written with 0x41 after reset for correct operation |

| Addr: 0x38 | | REG_SYN_LOCK_CNT | | | | Default: 0x64 | |
|------------|---|------------------|---|---|---|---------------|---|
| 7 | 6 | 5 | 4 | 3 | 2 | 1 | 0 |
| Count | | | | | | | |

Figure 7-31. Synthesizer Lock Count
Bit Name Description

7:0 Count Determines the length of delay in 2- μ s increments for the synthesizer to lock when auto synthesizer is enabled via Control register (0x03, bit 1=0) and not using the PLL lock signal. The default register setting is typically sufficient.

| Addr: 0x3C-3F | | | | | | | | | | | | REG_MID | | | | | | | | | | | | | | | | | | | |
|---------------|----|----|----|----|----|--------------|----|----|----|----|----|--------------|----|----|----|----|----|--------------|----|----|----|---|---|---|---|---|---|---|---|---|---|
| 31 | 30 | 29 | 28 | 27 | 26 | 25 | 24 | 23 | 22 | 21 | 20 | 19 | 18 | 17 | 16 | 15 | 14 | 13 | 12 | 11 | 10 | 9 | 8 | 7 | 6 | 5 | 4 | 3 | 2 | 1 | 0 |
| Address 0x3F | | | | | | Address 0x3E | | | | | | Address 0x3D | | | | | | Address 0x3C | | | | | | | | | | | | | |

Figure 7-32. Manufacturing ID
Bit Name Description

31:30 Address[31:30] These bits are read back as zeroes.

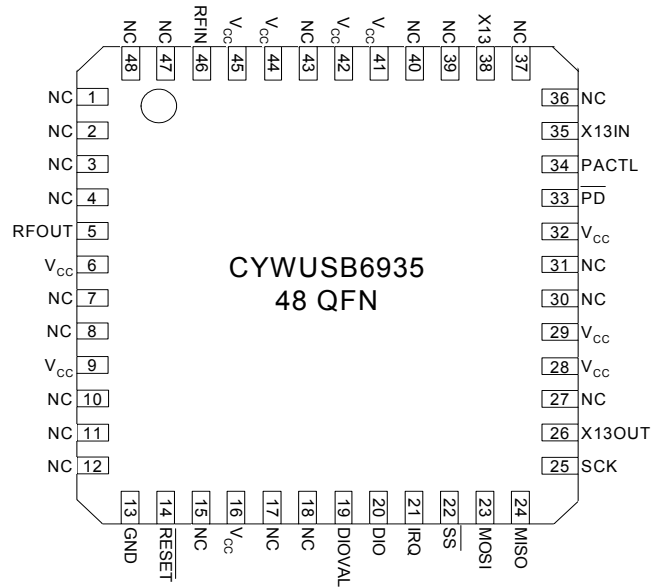
29:0 Address[29:0] These bits are the Manufacturing ID (MID) for each IC. The contents of these bits cannot be read unless the MID Read Enable bit (bit 5) is set in the Analog Control register (Reg 0x20). Enabling the Manufacturing ID register (Reg 0x3C-0x3F) consumes power. The MID Read Enable bit in the Analog Control register (Reg 0x20, bit 5) should only be set when reading the contents of the Manufacturing ID register (Reg 0x3C-0x3F). This register is read-only.

8.0 Pin Descriptions

Table 8-1. Pin Description Table

| Pin QFN | Name | Type | Default | Description |
|--|---------------------------|--------------|---------|--|
| Analog RF | | | | |
| 46 | RFIN | Input | Input | RF Input. Modulated RF signal received. |
| 5 | RFOUT | Output | N/A | RF Output. Modulated RF signal to be transmitted. |
| Crystal / Power Control | | | | |
| 38 | X13 | Input | N/A | Crystal Input. (refer to <i>Section 4.6</i>). |
| 35 | X13IN | Input | N/A | Crystal Input. (refer to <i>Section 4.6</i>). |
| 26 | X13OUT | Output/Hi-Z | Output | System Clock. Buffered 13-MHz system clock. |
| 33 | $\overline{\text{PD}}$ | Input | N/A | Power Down. Asserting this input (low), will put the IC in the Suspend Mode (X13OUT is 0 when PD is Low). |
| 14 | $\overline{\text{RESET}}$ | Input | N/A | Active LOW Reset. Device reset. |
| 34 | PACTL | I/O | Input | PACTL. External Power Amplifier control. Pull-down or make output. |
| SERDES Bypass Mode Communications/Interrupt | | | | |
| 20 | DIO | I/O | Input | Data Input/Output. SERDES Bypass Mode Data Transmit/Receive. |
| 19 | DIOVAL | I/O | Input | Data I/O Valid. SERDES Bypass Mode Data Transmit/Receive Valid. |
| 21 | IRQ | Output /Hi-Z | Output | IRQ. Interrupt and SERDES Bypass Mode DIOCLK. |
| SPI Communications | | | | |
| 23 | MOSI | Input | N/A | Master-Output-Slave-Input Data. SPI data input pin. |
| 24 | MISO | Output/Hi-Z | Hi-Z | Master-Input-Slave-Output Data. SPI data output pin. |
| 25 | SCK | Input | N/A | SPI Input Clock. SPI clock. |
| 22 | $\overline{\text{SS}}$ | Input | N/A | Slave Select Enable. SPI enable. |
| Power and Ground | | | | |
| 6, 9, 16, 28, 29, 32, 41, 42, 44, 45 | VCC | VCC | H | $V_{CC} = 2.7V$ to $3.6V$. |
| 13 | GND | GND | L | Ground = 0V. |
| 1, 2, 3, 4, 7, 8, 10, 11, 12, 15, 17, 18, 27, 30, 31, 36, 37, 39, 40, 43, 47, 48 | NC | N/A | N/A | Must be tied to Ground. |
| Exposed paddle | GND | GND | L | Must be tied to Ground. |

CYWUSB6935
Top View*



* E-PAD BOTTOM SIDE

Figure 8-1. CYWUSB6935, 48 QFN – Top View

9.0 Absolute Maximum Ratings

Storage Temperature -65°C to +150°C
 Ambient Temperature with Power Applied... -55°C to +125°C
 Supply Voltage on V_{CC} relative to V_{SS} -0.3V to +3.9V
 DC Voltage to Logic Inputs^[7] -0.3V to $V_{CC} + 0.3V$
 DC Voltage applied to
 Outputs in High-Z State..... -0.3V to $V_{CC} + 0.3V$
 Static Discharge Voltage (Digital)^[8] >2000V
 Static Discharge Voltage (RF)^[8]..... 500V
 Latch-up Current +200 mA, -200 mA

10.0 Operating Conditions

V_{CC} (Supply Voltage)..... 2.7V to 3.6V
 T_A (Ambient Temperature Under Bias)..... -40°C to +85°C^[9]
 T_A (Ambient Temperature Under Bias)..... 0°C to +70°C^[10]
 Ground Voltage 0V
 F_{OSC} (Oscillator or Crystal Frequency) 13 MHz

11.0 DC Characteristics (Over the Operating Range)

| Parameter | Description | Conditions | Min. | Typ. ^[12] | Max. | Unit |
|---------------------------|---|-------------------------------|----------------|----------------------|-----------------|---------|
| V_{CC} | Supply Voltage | | 2.7 | 3.0 | 3.6 | V |
| V_{OH1} | Output High Voltage condition 1 | At $I_{OH} = -100.0 \mu A$ | $V_{CC} - 0.1$ | V_{CC} | | V |
| V_{OH2} | Output High Voltage condition 2 | At $I_{OH} = -2.0 \text{ mA}$ | 2.4 | 3.0 | | V |
| V_{OL} | Output Low Voltage | At $I_{OL} = 2.0 \text{ mA}$ | | 0.0 | 0.4 | V |
| V_{IH} | Input High Voltage | | 2.0 | | $V_{CC}^{[11]}$ | V |
| V_{IL} | Input Low Voltage | | -0.3 | | 0.8 | V |
| I_{IL} | Input Leakage Current | $0 < V_{IN} < V_{CC}$ | -1 | 0.26 | +1 | μA |
| C_{IN} | Pin Input Capacitance (except X13, X13IN, RFIN) | | | 3.5 | 10 | pF |
| I_{Sleep} | Current consumption during power-down mode | $\overline{PD} = \text{LOW}$ | | 0.24 | 15 | μA |
| IDLE I_{CC} | Current consumption without synthesizer | $\overline{PD} = \text{HIGH}$ | | 3 | | mA |
| STARTUP I_{CC} | I_{CC} from \overline{PD} high to oscillator stable. | | | 1.8 | | mA |
| TX AVG I_{CC} | Average transmitter current consumption ^[13] | | | 1.4 | | μA |
| RX $I_{CC} (\text{PEAK})$ | Current consumption during receive | | | 57.7 | | mA |
| TX $I_{CC} (\text{PEAK})$ | Current consumption during transmit | | | 69.1 | | mA |
| SYNTH SETTLE I_{CC} | Current consumption with Synthesizer on, No Transmit or Receive | | | 28.7 | | mA |

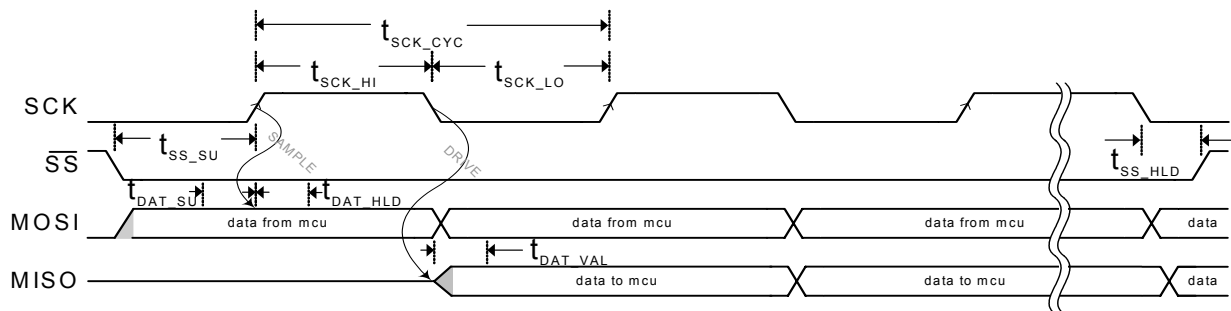
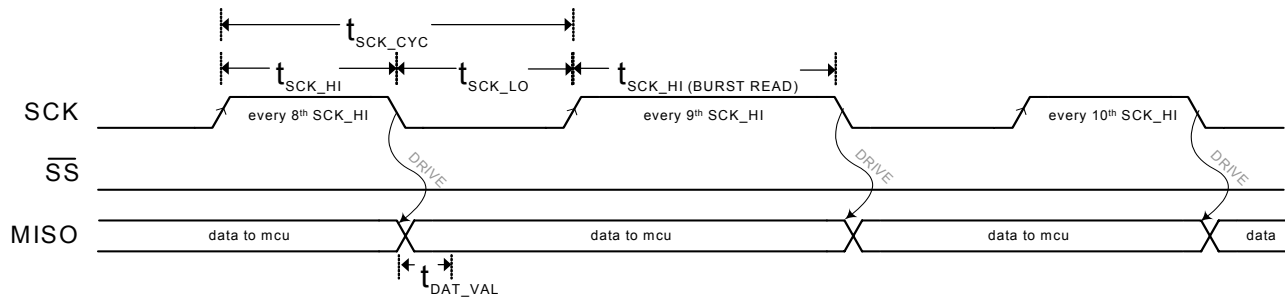
Notes:

7. It is permissible to connect voltages above V_{CC} to inputs through a series resistor limiting input current to 1 mA. This can't be done during power down mode. AC timing not guaranteed.
8. Human Body Model (HBM).
9. Industrial temperature operating range.
10. Commercial temperature operating range.
11. It is permissible to connect voltages above V_{CC} to inputs through a series resistor limiting input current to 1 mA.
12. Typ. values measured with $V_{CC} = 3.0V @ 25^\circ C$
13. Average I_{CC} when transmitting a 10-byte packet every 15 minutes using the WirelessUSB N:1 protocol.

12.0 AC Characteristics [14]

Table 12-1. SPI Interface^[16]

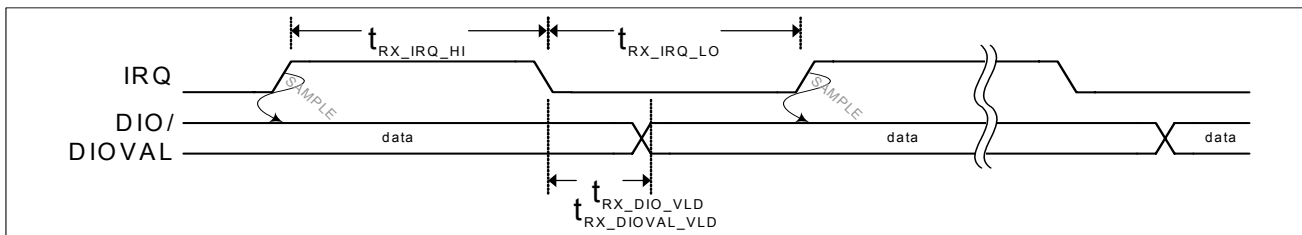
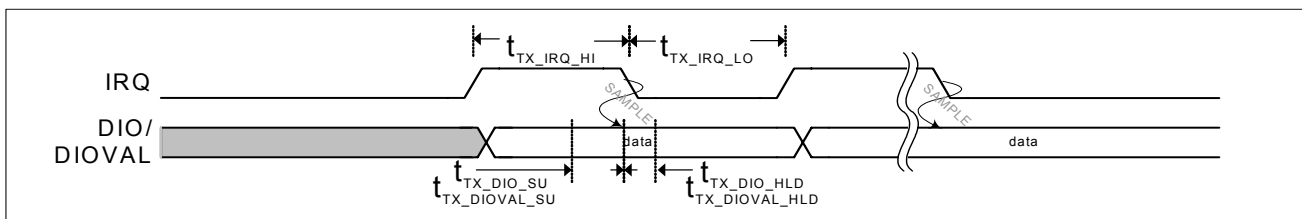
| Parameter | Description | Min. | Typ. | Max. | Unit |
|--|--|--------------------|------|---------------------|------|
| t_{SCK_CYC} | SPI Clock Period | 476 | | | ns |
| t_{SCK_HI} (BURST READ) ^[15] | SPI Clock High Time | 238 | | | ns |
| t_{SCK_HI} | SPI Clock High Time | 158 | | | ns |
| t_{SCK_LO} | SPI Clock Low Time | 158 | | | ns |
| t_{DAT_SU} | SPI Input Data Set-up Time | 10 | | | ns |
| t_{DAT_HLD} | SPI Input Data Hold Time | 97 ^[16] | | | ns |
| t_{DAT_VAL} | SPI Output Data Valid Time | 77 ^[16] | | 174 ^[16] | ns |
| t_{SS_SU} | SPI Slave Select Set-up Time before first positive edge of SCK ^[17] | 250 | | | ns |
| t_{SS_HLD} | SPI Slave Select Hold Time after last negative edge of SCK | 80 | | | ns |


Figure 12-1. SPI Timing Diagram

Figure 12-2. SPI Burst Read Every 9th SCK HI Stretch Timing Diagram
Notes:

14. AC values are not guaranteed if voltages on any pin exceed V_{CC} .
15. This stretch only applies to every 9th SCK HI pulse for SPI Burst Reads only.
16. For $F_{OSC} = 13 \text{ MHz}$, $3.3V @ 25^\circ\text{C}$.
17. SCK must start low, otherwise the success of SPI transactions are not guaranteed.

Table 12-2. DIO Interface

| Parameter | Description | Min. | Typ. | Max. | Unit |
|-----------------------|--|-------|------|------|---------|
| Transmit | | | | | |
| $t_{TX_DIOVAL_SU}$ | DIOVAL Set-up Time | 2.1 | | | μs |
| $t_{TX_DIO_SU}$ | DIO Set-up Time | 2.1 | | | μs |
| $t_{TX_DIOVAL_HLD}$ | DIOVAL Hold Time | 0 | | | μs |
| $t_{TX_DIO_HLD}$ | DIO Hold Time | 0 | | | μs |
| $t_{TX_IRQ_HI}$ | Minimum IRQ High Time – 32 chips/bit DDR | | 8 | | μs |
| | Minimum IRQ High Time – 32 chips/bit | | 16 | | μs |
| | Minimum IRQ High Time – 64 chips/bit | | 32 | | μs |
| $t_{TX_IRQ_LO}$ | Minimum IRQ Low Time – 32 chips/bit DDR | | 8 | | μs |
| | Minimum IRQ Low Time – 32 chips/bit | | 16 | | μs |
| | Minimum IRQ Low Time – 64 chips/bit | | 32 | | μs |
| Receive | | | | | |
| $t_{RX_DIOVAL_VLD}$ | DIOVAL Valid Time – 32 chips/bit DDR | -0.01 | | 6.1 | μs |
| | DIOVAL Valid Time – 32 chips/bit | -0.01 | | 8.2 | μs |
| | DIOVAL Valid Time – 64 chips/bit | -0.01 | | 16.1 | μs |
| $t_{RX_DIO_VLD}$ | DIO Valid Time – 32 chips/bit DDR | -0.01 | | 6.1 | μs |
| | DIO Valid Time – 32 chips/bit | -0.01 | | 8.2 | μs |
| | DIO Valid Time – 64 chips/bit | -0.01 | | 16.1 | μs |
| $t_{RX_IRQ_HI}$ | Minimum IRQ High Time – 32 chips/bit DDR | | 1 | | μs |
| | Minimum IRQ High Time – 32 chips/bit | | 1 | | μs |
| | Minimum IRQ High Time – 64 chips/bit | | 1 | | μs |
| $t_{RX_IRQ_LO}$ | Minimum IRQ Low Time – 32 chips/bit DDR | | 8 | | μs |
| | Minimum IRQ Low Time – 32 chips/bit | | 16 | | μs |
| | Minimum IRQ Low Time – 64 chips/bit | | 32 | | μs |


Figure 12-3. DIO Receive Timing Diagram

Figure 12-4. DIO Transmit Timing Diagram

12.1 Radio Parameters
Table 12-3. Radio Parameters

| Parameter Description | Conditions | Min. | Typ. | Max. | Unit |
|--|--------------------------------------|-------|-------|---------------------|------|
| RF Frequency Range | Note 18 | 2.400 | | 2.483 | GHz |
| Radio Receiver (T = 25°C, V _{CC} = 3.3V, f _{osc} = 13.000 MHz ± 2 ppm, X13OUT off, 64 chips/bit, Threshold Low = 8, Threshold High = 56, BER ≤ 10 ⁻³) | | | | | |
| Sensitivity | | -86 | -95 | | dBm |
| Maximum Received Signal | | -20 | -7 | | dBm |
| RSSI value for PWR _{in} > -40 dBm | | | 28-31 | | |
| RSSI value for PWR _{in} < -95 dBm | | | 0-10 | | |
| Receive Ready ^[19] | | | | 35 | µs |
| Interference Performance | | | | | |
| Co-channel Interference rejection Carrier-to-Interference (C/I) | C = -60 dBm | | 6 | | dB |
| Adjacent (1 MHz) channel selectivity C/I 1 MHz | C = -60 dBm | | -5 | | dB |
| Adjacent (2 MHz) channel selectivity C/I 2 MHz | C = -60 dBm | | -33 | | dB |
| Adjacent (≥ 3 MHz) channel selectivity C/I ≥ 3 MHz | C = -67 dBm | | -45 | | dB |
| Image ^[20] Frequency Interference, C/I Image | C = -67 dBm | | -35 | | dB |
| Adjacent (1 MHz) interference to in-band image frequency, C/I image ±1 MHz | C = -67 dBm | | -41 | | dB |
| Out-of-Band Blocking Interference Signal Frequency | | | | | |
| 30 MHz–2399 MHz except (FO/N & FO/N±1 MHz) ^[21] | C = -67 dBm | | -22 | | dBm |
| 2498 MHz–12.75 GHz, except (FO*N & FO*N±1 MHz) ^[21] | C = -67 dBm | | -21 | | dBm |
| Intermodulation | C = -64 dBm Δf = 5,10 MHz | | -32 | | dBm |
| Spurious Emission | | | | | |
| 30 MHz–1 GHz | | | | -57 | dBm |
| 1 GHz–12.75 GHz except (4.8 GHz–5.0 GHz) | | | | -54 | dBm |
| 4.8 GHz–5.0 GHz | | | | -40 ^[22] | dBm |
| Radio Transmitter (T = 25°C, V _{CC} = 3.3V, f _{osc} = 13.000 MHz ± 2 ppm) | | | | | |
| Maximum RF Transmit Power | PA = 7 | -5 | -0.4 | | dBm |
| RF Power Control Range | | | 28.6 | | dB |
| RF Power Range Control Step Size | seven steps, monotonic | | 4.1 | | dB |
| Frequency Deviation | PN Code Pattern 10101010 | | 270 | | kHz |
| Frequency Deviation | PN Code Pattern 11110000 | | 320 | | kHz |
| Zero Crossing Error | | | ±75 | | ns |
| Occupied Bandwidth | 100-kHz resolution bandwidth, -6 dBc | 500 | 860 | | kHz |
| Initial Frequency Offset | | | ±50 | | kHz |
| In-band Spurious | | | | | |
| Second Channel Power (±2 MHz) | | | -45 | -30 | dBm |
| ≥ Third Channel Power (≥3 MHz) | | | -52 | -40 | dBm |
| Non-Harmonically Related Spurs | | | | | |
| 30 MHz–12.75 GHz | | | | -54 | dBm |
| Harmonic Spurs | | | | | |
| Second Harmonic | | | | -28 | dBm |
| Third Harmonic | | | | -25 | dBm |
| Fourth and Greater Harmonics | | | | -42 | dBm |

Notes:

18. Subject to regulation.
19. Max. time after receive enable and the synthesizer has settled before receiver is ready.
20. Image frequency is +4 MHz from desired channel (2 MHz low IF, high side injection).
21. FO = Tuned Frequency, N = Integer.
22. Antenna matching network and antenna will attenuate the output signal at these frequencies to meet regulatory requirements.

12.2 Power Management Timing

Table 12-4. Power Management Timing (The values below are dependent upon oscillator network component selection)^[27]

| Parameter | Description | Conditions | Min. | Typ | Max. | Unit |
|-----------------|---|------------------------|------|------|------|---------------|
| t_{PDN_X13} | Time from \overline{PD} deassert to X13OUT | | | 2000 | | μs |
| t_{SPL_RDY} | Time from oscillator stable to start of SPI transactions | | 1 | | | μs |
| t_{PWR_RST} | Power On to \overline{RESET} deasserted | $V_{CC} @ 2.7V$ | 1300 | | | μs |
| t_{RST} | Minimum \overline{RESET} asserted pulse width | | 1 | | | μs |
| t_{PWR_PD} | Power On to \overline{PD} deasserted ^[23] | | 1300 | | | μs |
| t_{WAKE} | \overline{PD} deassert to clocks running ^[24] | | | 2000 | | μs |
| t_{PD} | Minimum \overline{PD} asserted pulse width | | 10 | | | μs |
| t_{SLEEP} | \overline{PD} assert to low power mode | | | 50 | | ns |
| t_{WAKE_INT} | \overline{PD} deassert to IRQ ^[25] assert (wake interrupt) ^[26] | | | 2000 | | μs |
| t_{STABLE} | \overline{PD} deassert to clock stable | to within ± 10 ppm | | 2100 | | μs |
| $t_{STABLE2}$ | IRQ assert (wake interrupt) to clock stable | to within ± 10 ppm | | 2100 | | μs |

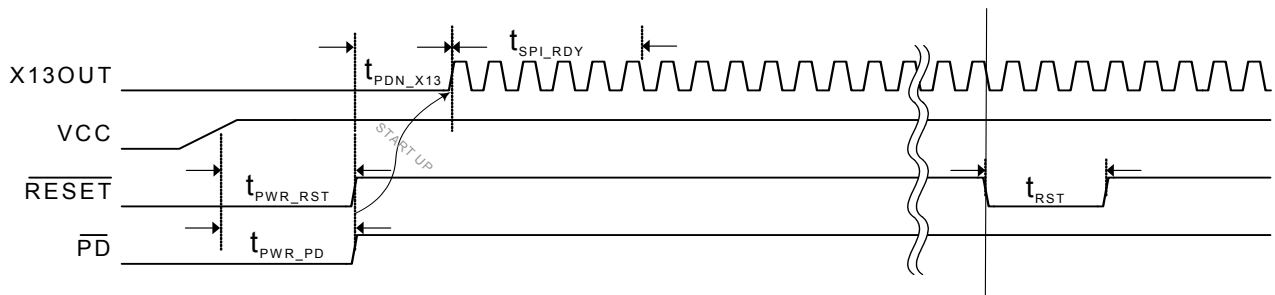


Figure 12-5. Power On Reset/Reset Timing

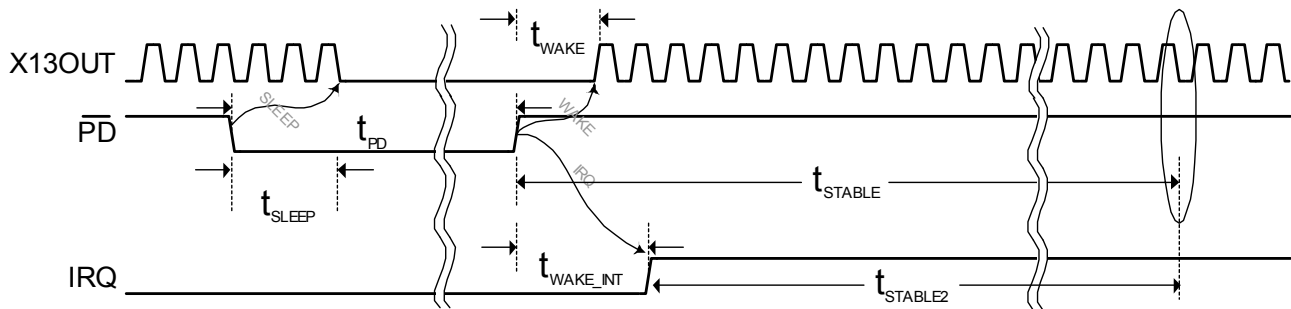
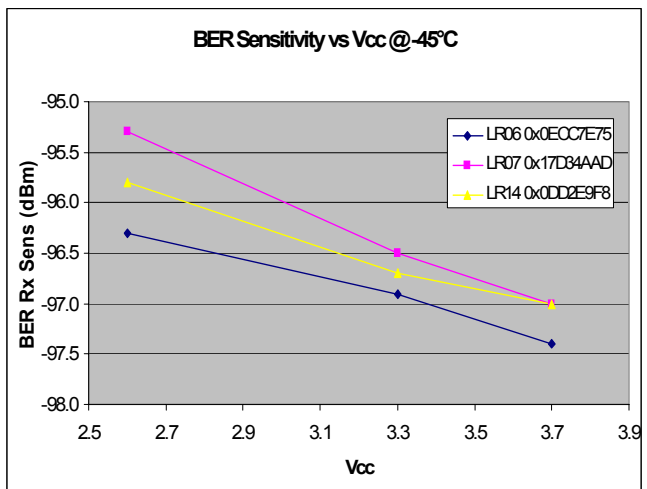
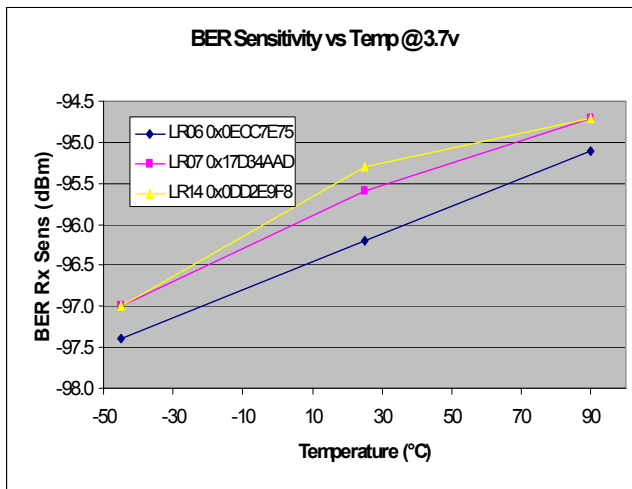
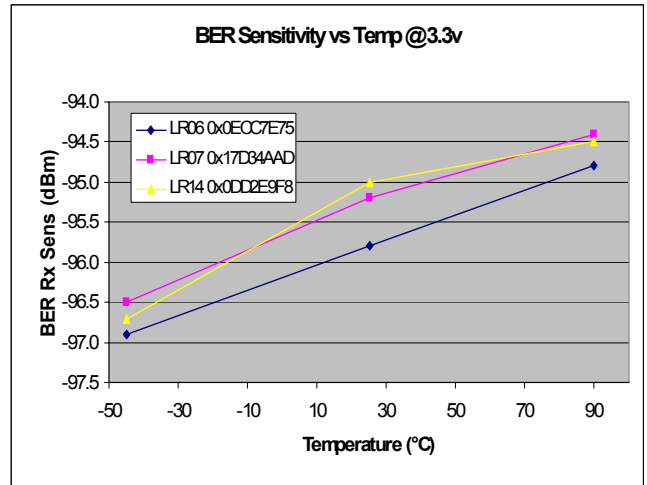
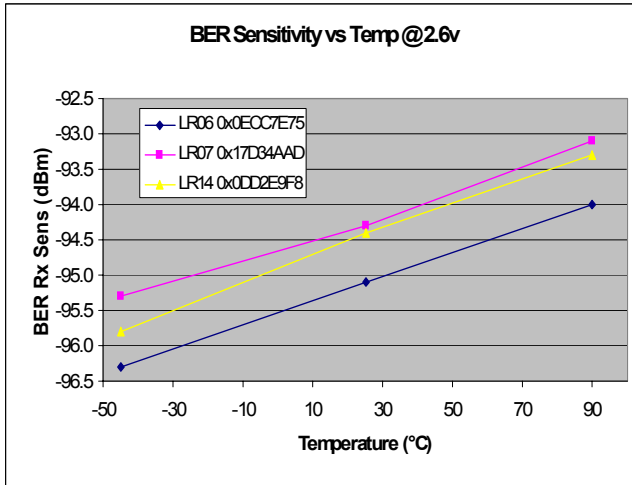
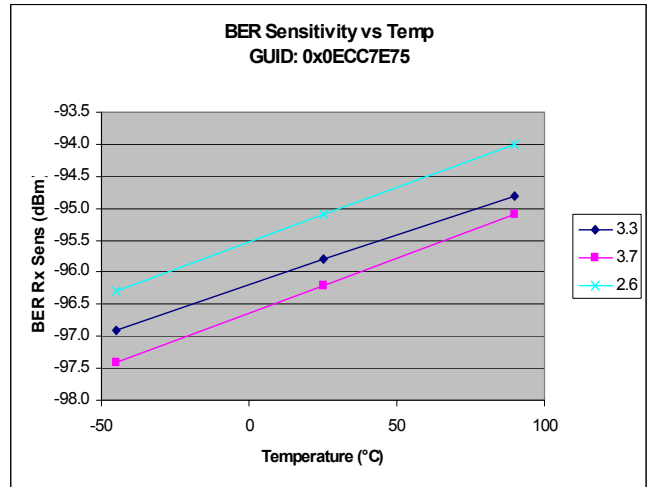
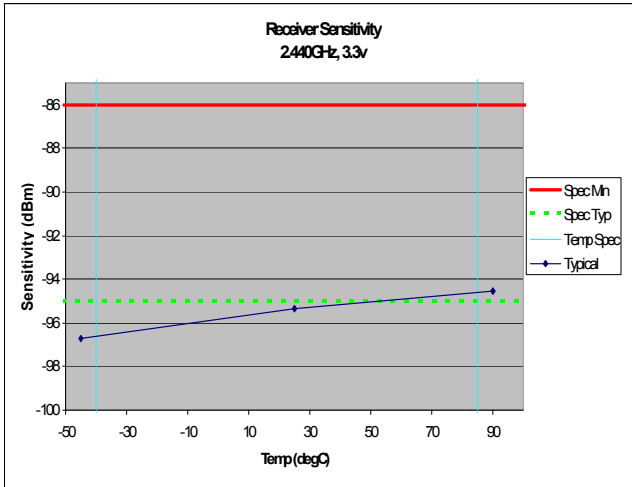
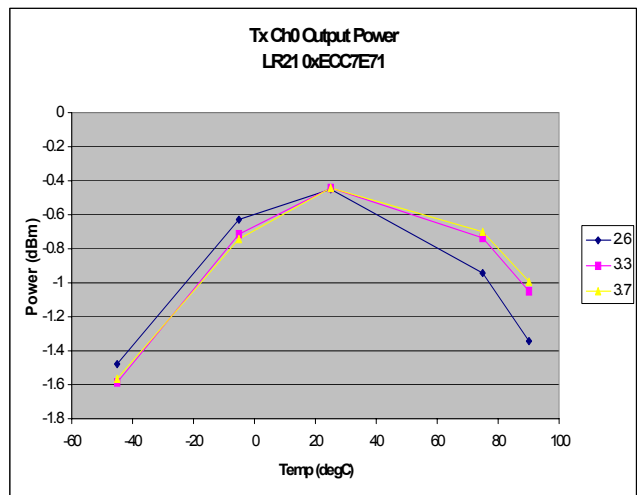
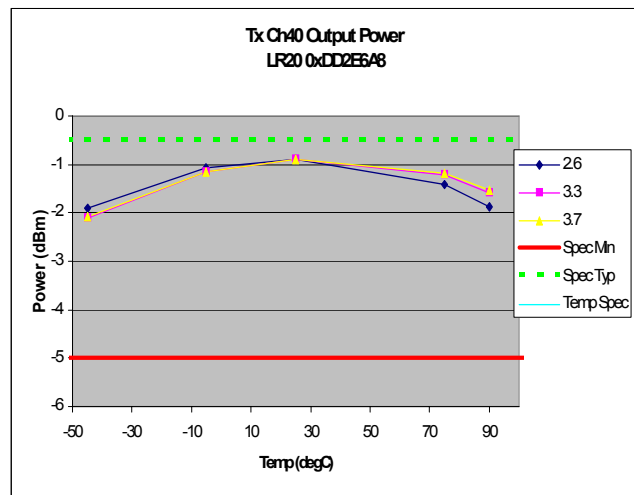
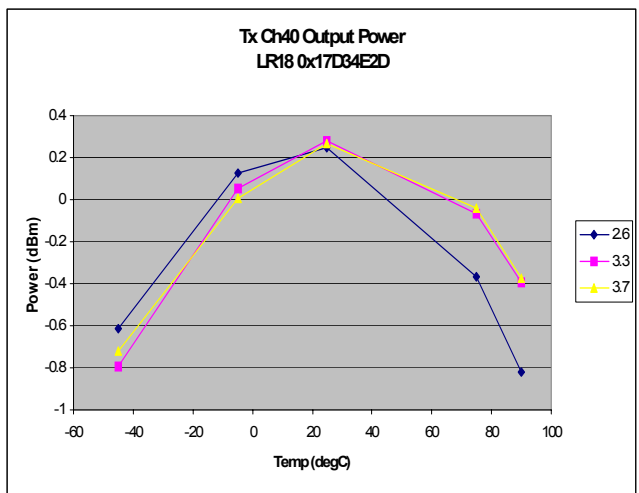
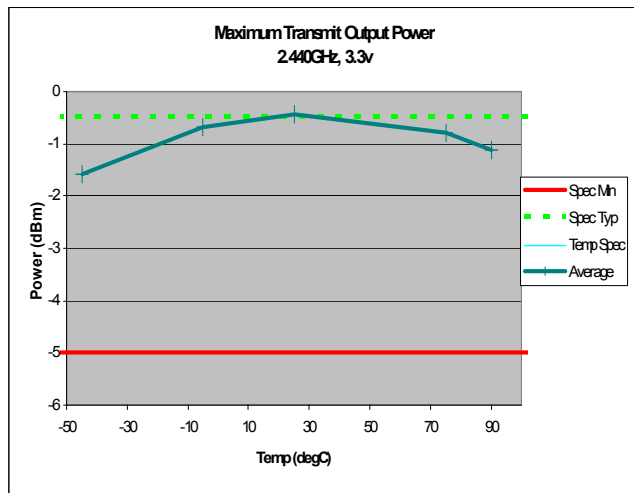
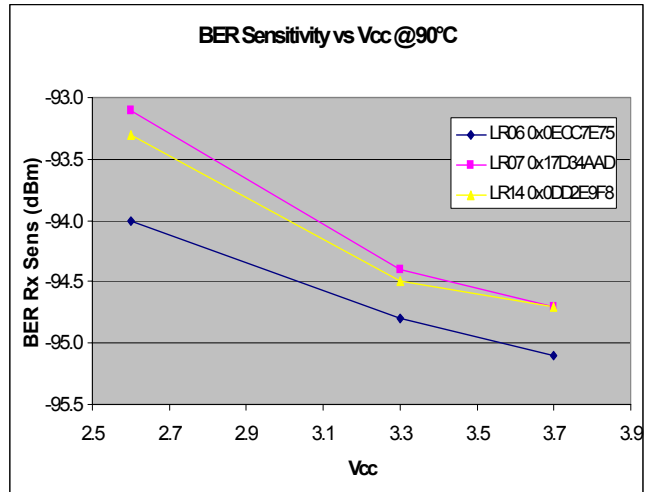
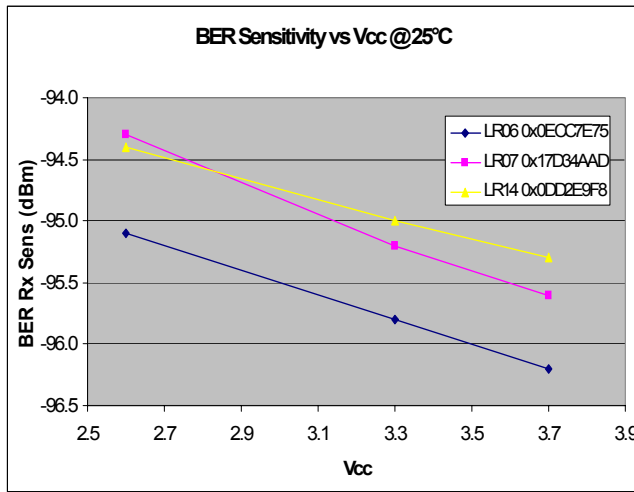


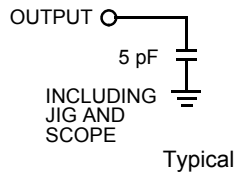
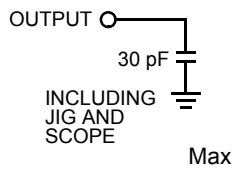
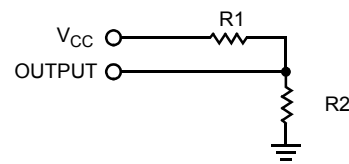
Figure 12-6. Sleep / Wake Timing

Notes:

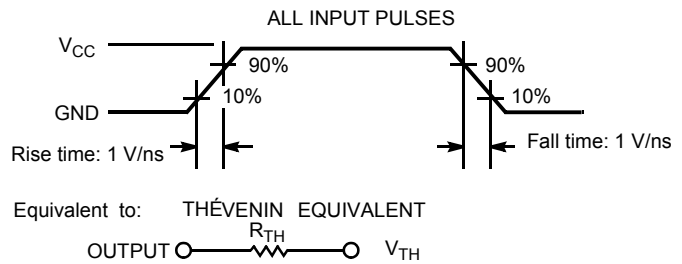
23. The \overline{PD} pin must be asserted at power up to ensure proper crystal startup.
24. When X13OUT is enabled.
25. Both the polarity and the drive method of the IRQ pin are programmable. See page 10 for more details. Figure 12-6 illustrates default values for the Configuration register (Reg 0x05, bits 1:0).
26. A wakeup event is triggered when the \overline{PD} pin is deasserted. Figure 12-6 illustrates a wakeup event configured to trigger an IRQ pin event via the Wake Enable register (Reg 0x1C, bit 0=1).
27. Measured with CTS ATXN6077A crystal.

12.3 Typical Operating Characteristics




12.4 AC Test Loads and Waveforms for Digital Pins
AC Test Loads

DC Test Load


| Parameter | | Unit |
|-----------------|------|----------|
| R1 | 1071 | Ω |
| R2 | 937 | Ω |
| R _{TH} | 500 | Ω |
| V _{TH} | 1.4 | V |
| V _{CC} | 3.00 | V |


Figure 12-7. AC Test Loads and Waveforms for Digital Pins
13.0 Ordering Information

| Part Number | Radio | Package Name | Package Type | Operating Range |
|-------------------|-------------|--------------|---|-----------------|
| CYWUSB6935-48LFXI | Transceiver | 48 QFN | 48 Quad Flat Package No Leads Lead-Free | Industrial |
| CYWUSB6935-48LFXC | Transceiver | 48 QFN | 48 Quad Flat Package No Leads Lead-Free | Commercial |

14.0 Package Description

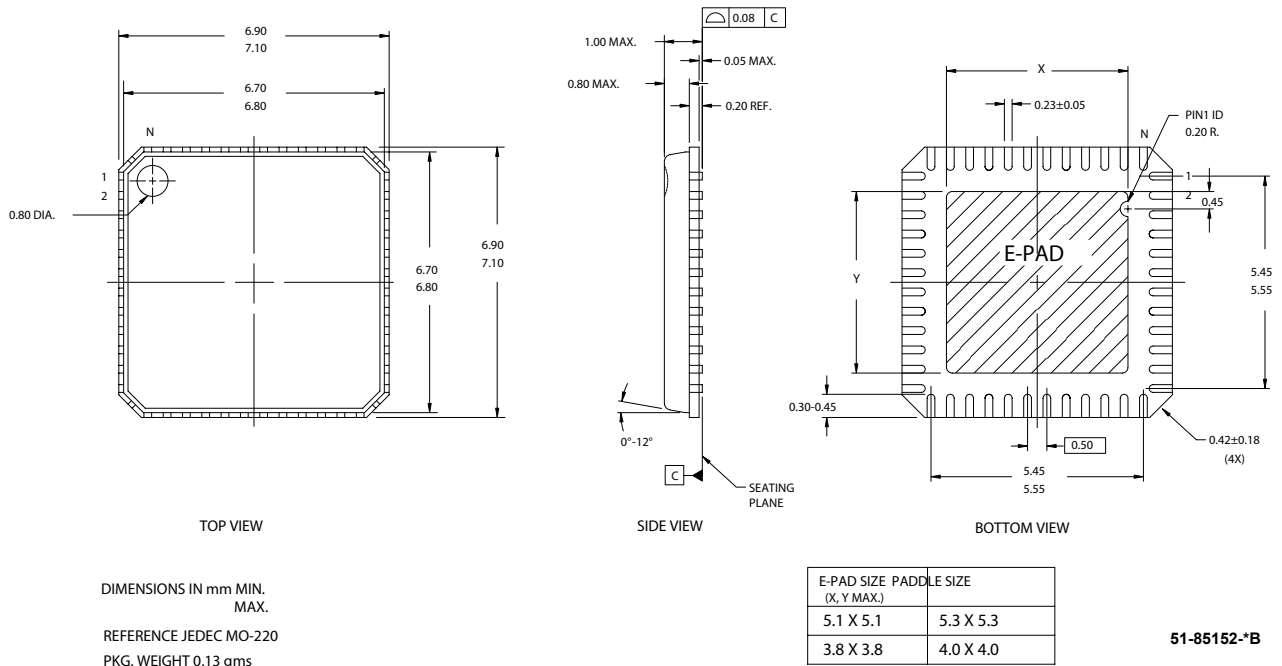


Figure 14-1. 48-pin Lead-Free QFN 7 × 7 mm LY48

The recommended dimension of the PCB pad size for the E-PAD underneath the QFN is 209 mils × 209 mils (width x length).

This document is subject to change, and may be found to contain errors of omission or changes in parameters. For feedback or technical support regarding Cypress WirelessUSB products please contact Cypress at www.cypress.com. WirelessUSB, PSoC, and enCoRe are trademarks of Cypress Semiconductor. All product and company names mentioned in this document are the trademarks of their respective holders.

Document History Page

| Document Title: CYWUSB6935 WirelessUSB™ LR 2.4-GHz DSSS Radio SoC | | | | |
|---|---------|------------|-----------------|---|
| Document Number: 38-16008 | | | | |
| REV. | ECN NO. | Issue Date | Orig. of Change | Description of Change |
| ** | 207428 | See ECN | TGE | New data sheet |
| *A | 275349 | See ECN | ZTK | Updated REG_DATA_RATE (0x04), 111 - Not Valid Changed AVCC annotation to VCC Removed SOIC package option Corrected <i>Figure 3-1</i> , <i>Figure 6-1</i> and <i>Figure 6-2</i> Updated ordering information section Added <i>Table 4-1</i> Internal PA Output Power Step Table Corrected <i>Figure 14-1</i> caption Updated Radio Parameters Added commercial temperature operating range in section 10 Updated average transmitter current consumption number |
| *B | 291015 | See ECN | ZTK | Added t _{STABLE2} parameter to <i>Table 12-4</i> and <i>Figure 12-6</i> Removed Addr 0x01 and 0x02–unused |
| *C | 335774 | See ECN | TGE | Corrected <i>Figure 6-1</i> - swap RFIN / RFOUT Corrected REG_CONTROL - bit 1 description Added <i>Section 12.3</i> - Typical Operating Characteristics |
| *D | 391311 | See ECN | TGE | Added receive ready parameter to <i>Table 12-3</i> |