

**PLEASE CHECK WWW.MOLEX.COM FOR LATEST PART INFORMATION**

**Part Number:** [0039302048](#)  
**Status:** **Active**  
**Overview:** [minifit\\_jr](#)  
**Description:** 4.20mm (.165") Pitch Mini-Fit Jr.™ Header, Single Row, Vertical, with Snap-in Plastic Peg PCB Lock, 4 Circuits, PA Polyamide Nylon 6/6, UL 94V-0, 0.76µm (30µ") Gold (Au) Selective Plating, with Drain Holes

**Documents:**

[3D Model](#) [Product Specification PS-5556-001 \(PDF\)](#)  
[Drawing \(PDF\)](#) [RoHS Certificate of Compliance \(PDF\)](#)

**Agency Certification**

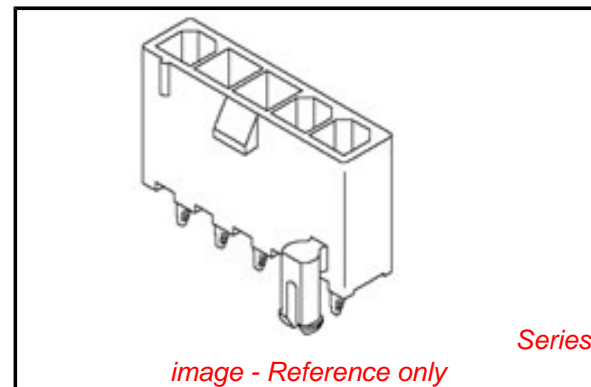
|     |           |
|-----|-----------|
| CSA | LR19980   |
| TUV | R72081037 |
| UL  | E29179    |

**General**

|                |  |
|----------------|--|
| Product Family | PCB Headers  |
| Series         | <a href="#">5566</a>   |
| Application    | Wire-to-Board  |
| Comments       | Current = 13A max. per circuit when header is mated to a receptacle loaded with <a href="#">45750</a> Mini-Fit Plus HCS™ Crimp Terminal Crimped to to 16 AWG wire. . See Molex product specification PS-45750-001 for additional current de-rating information.. High Temperature, Square Pin, Solder Type |
| Overview       | <a href="#">minifit_jr</a>   |
| Product Name   | Mini-Fit Jr.™  |

**Physical**

|                                |          |
|--------------------------------|----------|
| Breakaway                      | No       |
| Circuits (Loaded)              | 4        |
| Circuits (maximum)             | 4        |
| Color - Resin                  | Natural  |
| Durability (mating cycles max) | 30       |
| First Mate / Last Break        | No       |
| Flammability                   | 94V-0    |
| Glow-Wire Compliant            | No       |
| Guide to Mating Part           | No       |
| Keying to Mating Part          | None     |
| Lock to Mating Part            | Yes      |
| Material - Metal               | Brass    |
| Material - Plating Mating      | Gold     |
| Material - Plating Termination | Tin      |
| Material - Resin               | Nylon    |
| Number of Rows                 | 1        |
| Orientation                    | Vertical |
| PC Tail Length (in)            | 0.138 In |
| PC Tail Length (mm)            | 3.50 mm  |
| PCB Locator                    | Yes      |
| PCB Retention                  | Yes      |
| PCB Thickness Recommended (in) | 0.062 In |
| PCB Thickness Recommended (mm) | 1.60 mm  |
| Packaging Type                 | Tray     |
| Pitch - Mating Interface (in)  | 0.165 In |
| Pitch - Mating Interface (mm)  | 4.20 mm  |



**EU RoHS**

**ELV and RoHS Compliant**  
**REACH SVHC**  
 Not Reviewed  
**Halogen-Free Status**  
 Not Reviewed

**China RoHS**



**Need more information on product environmental compliance?**

Email [productcompliance@molex.com](mailto:productcompliance@molex.com)  
 For a multiple part number RoHS Certificate of Compliance, [click here](#)

Please visit the [Contact Us](#) section for any non-product compliance questions.

**Search Parts in this Series**

[5566Series](#)

**Mates With**

[5557](#) Mini-Fit Jr.™ Receptacle Housing

|                                |                 |
|--------------------------------|-----------------|
| Pitch - Term. Interface (in)   | 0.165 In        |
| Pitch - Term. Interface (mm)   | 4.20 mm         |
| Plating min: Mating (µin)      | 30              |
| Plating min: Mating (µm)       | 0.76            |
| Plating min: Termination (µin) | 100             |
| Plating min: Termination (µm)  | 2.50            |
| Polarized to Mating Part       | Yes             |
| Polarized to PCB               | Yes             |
| Shrouded                       | Fully           |
| Stackable                      | No              |
| Surface Mount Compatible (SMC) | No              |
| Temperature Range - Operating  | -40°C to +105°C |
| Termination Interface: Style   | Through Hole    |

### Electrical

|                               |      |
|-------------------------------|------|
| Current - Maximum per Contact | 13A  |
| Voltage - Maximum             | 600V |

### Solder Process Data

|  |                        |
|--|------------------------|
| Duration at Max. Process Temperature (seconds) | 5                      |
| Lead-free Process Capability                   | Wave Capable (TH only) |
| Max. Cycles at Max. Process Temperature        | 1                      |
| Process Temperature max. C                     | 235                    |

### Material Info

|                 |                 |
|-----------------|-----------------|
| Old Part Number | 5566-04B3GS-210 |
|-----------------|-----------------|

### Reference - Drawing Numbers

|                         |              |
|-------------------------|--------------|
| Packaging Specification | PK-5566-002  |
| Product Specification   | PS-5556-001  |
| Sales Drawing           | SDA-5566-NL* |
| Test Summary            | TS-5556-002  |

This document was generated on 05/21/2010

**PLEASE CHECK [WWW.MOLEX.COM](http://WWW.MOLEX.COM) FOR LATEST PART INFORMATION**

| 13  | 12          | 11                  | 10                 | 9 | 8 | 7 |
|---|-------------|---------------------|--------------------|---|---|---|
| PASSIVE LOCK WITH MTC, PEGS, 94V-2 HOUSING MATERIAL |             |                     |                    |   |   |   |
| PART NO   | ENG NO      | CKT DRAIN SIZE/HOLE | PLATING OPTION     |   |   |   |
| NO E.D.P.   | 5566-04B4   | 4 YES               | TIN OVER COPPER    |   |   |   |
| NO E.D.P.   | 5566-05B4   | 5 YES               | TIN OVER COPPER    |   |   |   |
| NO E.D.P.   | 5566-06B4   | 6 YES               | TIN OVER COPPER    |   |   |   |
| NO E.D.P.   | 5566-07B4   | 7 YES               | TIN OVER COPPER    |   |   |   |
| NO E.D.P.   | 5566-08B4   | 8 YES               | TIN OVER COPPER    |   |   |   |
| NO E.D.P.   | 5566-09B4   | 9 YES               | TIN OVER COPPER    |   |   |   |
| NO E.D.P.   | 5566-10B4   | 10 YES              | TIN OVER COPPER    |   |   |   |
| NO E.D.P.   | 5566-11B4   | 11 YES              | TIN OVER COPPER    |   |   |   |
| NO E.D.P.   | 5566-12B4   | 12 YES              | TIN OVER COPPER    |   |   |   |
| NO E.D.P.   | 5566-04A4   | 4 NO                | TIN OVER COPPER    |   |   |   |
| NO E.D.P.   | 5566-05A4   | 5 NO                | TIN OVER COPPER    |   |   |   |
| NO E.D.P.   | 5566-06A4   | 6 NO                | TIN OVER COPPER    |   |   |   |
| NO E.D.P.   | 5566-07A4   | 7 NO                | TIN OVER COPPER    |   |   |   |
| NO E.D.P.   | 5566-08A4   | 8 NO                | TIN OVER COPPER    |   |   |   |
| NO E.D.P.   | 5566-09A4   | 9 NO                | TIN OVER COPPER    |   |   |   |
| NO E.D.P.   | 5566-10A4   | 10 NO               | TIN OVER COPPER    |   |   |   |
| NO E.D.P.   | 5566-11A4   | 11 NO               | TIN OVER COPPER    |   |   |   |
| NO E.D.P.   | 5566-12A4   | 12 NO               | TIN OVER COPPER    |   |   |   |
| NO E.D.P.   | 5566-04B4GS | 4 YES               | 30 MI. SELECT GOLD |   |   |   |
| NO E.D.P.   | 5566-05B4GS | 5 YES               | 30 MI. SELECT GOLD |   |   |   |
| NO E.D.P.   | 5566-06B4GS | 6 YES               | 30 MI. SELECT GOLD |   |   |   |
| NO E.D.P.   | 5566-07B4GS | 7 YES               | 30 MI. SELECT GOLD |   |   |   |
| NO E.D.P.   | 5566-08B4GS | 8 YES               | 30 MI. SELECT GOLD |   |   |   |
| NO E.D.P.   | 5566-09B4GS | 9 YES               | 30 MI. SELECT GOLD |   |   |   |
| NO E.D.P.   | 5566-10B4GS | 10 YES              | 30 MI. SELECT GOLD |   |   |   |
| NO E.D.P.   | 5566-11B4GS | 11 YES              | 30 MI. SELECT GOLD |   |   |   |
| NO E.D.P.   | 5566-12B4GS | 12 YES              | 30 MI. SELECT GOLD |   |   |   |
| NO E.D.P.   | 5566-04A4GS | 4 NO                | 30 MI. SELECT GOLD |   |   |   |
| NO E.D.P.   | 5566-05A4GS | 5 NO                | 30 MI. SELECT GOLD |   |   |   |
| NO E.D.P.   | 5566-06A4GS | 6 NO                | 30 MI. SELECT GOLD |   |   |   |
| NO E.D.P.   | 5566-07A4GS | 7 NO                | 30 MI. SELECT GOLD |   |   |   |
| NO E.D.P.   | 5566-08A4GS | 8 NO                | 30 MI. SELECT GOLD |   |   |   |
| NO E.D.P.   | 5566-09A4GS | 9 NO                | 30 MI. SELECT GOLD |   |   |   |
| NO E.D.P.   | 5566-10A4GS | 10 NO               | 30 MI. SELECT GOLD |   |   |   |
| NO E.D.P.   | 5566-11A4GS | 11 NO               | 30 MI. SELECT GOLD |   |   |   |
| NO E.D.P.   | 5566-12A4GS | 12 NO               | 30 MI. SELECT GOLD |   |   |   |

| 13   | 12          | 11                  | 10                 | 9 | 8 | 7 |
|--|-------------|---------------------|--------------------|---|---|---|
| POSITIVE LOCK WITH MTC, PEGS, 94V-2 HOUSING MATERIAL |             |                     |                    |   |   |   |
| PART NO  | ENG NO      | CKT DRAIN SIZE/HOLE | PLATING OPTION     |   |   |   |
| 39-30-2045   | 5566-04B3   | 4 YES               | TIN OVER COPPER    |   |   |   |
| 39-30-2055   | 5566-05B3   | 5 YES               | TIN OVER COPPER    |   |   |   |
| 39-30-2065   | 5566-06B3   | 6 YES               | TIN OVER COPPER    |   |   |   |
| 39-30-2075   | 5566-07B3   | 7 YES               | TIN OVER COPPER    |   |   |   |
| 39-30-2085   | 5566-08B3   | 8 YES               | TIN OVER COPPER    |   |   |   |
| 39-30-2095   | 5566-09B3   | 9 YES               | TIN OVER COPPER    |   |   |   |
| 39-30-2105   | 5566-10B3   | 10 YES              | TIN OVER COPPER    |   |   |   |
| 39-30-2115   | 5566-11B3   | 11 YES              | TIN OVER COPPER    |   |   |   |
| 39-30-2125   | 5566-12B3   | 12 YES              | TIN OVER COPPER    |   |   |   |
| 39-30-1049   | 5566-04A3   | 4 NO                | TIN OVER COPPER    |   |   |   |
| 39-30-1059   | 5566-05A3   | 5 NO                | TIN OVER COPPER    |   |   |   |
| 39-30-1069   | 5566-06A3   | 6 NO                | TIN OVER COPPER    |   |   |   |
| 39-30-1079   | 5566-07A3   | 7 NO                | TIN OVER COPPER    |   |   |   |
| 39-30-1089   | 5566-08A3   | 8 NO                | TIN OVER COPPER    |   |   |   |
| 39-03-1099   | 5566-09A3   | 9 NO                | TIN OVER COPPER    |   |   |   |
| 39-30-1109   | 5566-10A3   | 10 NO               | TIN OVER COPPER    |   |   |   |
| 39-30-1119   | 5566-11A3   | 11 NO               | TIN OVER COPPER    |   |   |   |
| 39-30-1129   | 5566-12A3   | 12 NO               | TIN OVER COPPER    |   |   |   |
| 39-30-2047   | 5566-04B3GS | 4 YES               | 30 MI. SELECT GOLD |   |   |   |
| 39-30-2057   | 5566-05B3GS | 5 YES               | 30 MI. SELECT GOLD |   |   |   |
| 39-30-2067   | 5566-06B3GS | 6 YES               | 30 MI. SELECT GOLD |   |   |   |
| 39-30-2077   | 5566-07B3GS | 7 YES               | 30 MI. SELECT GOLD |   |   |   |
| 39-30-2087   | 5566-08B3GS | 8 YES               | 30 MI. SELECT GOLD |   |   |   |
| 39-30-2097   | 5566-09B3GS | 9 YES               | 30 MI. SELECT GOLD |   |   |   |
| 39-30-2107   | 5566-10B3GS | 10 YES              | 30 MI. SELECT GOLD |   |   |   |
| 39-30-2117   | 5566-11B3GS | 11 YES              | 30 MI. SELECT GOLD |   |   |   |
| 39-30-2127   | 5566-12B3GS | 12 YES              | 30 MI. SELECT GOLD |   |   |   |
| 39-30-2041   | 5566-04A3GS | 4 NO                | 30 MI. SELECT GOLD |   |   |   |
| 39-30-2051   | 5566-05A3GS | 5 NO                | 30 MI. SELECT GOLD |   |   |   |
| 39-30-2061   | 5566-06A3GS | 6 NO                | 30 MI. SELECT GOLD |   |   |   |
| 39-30-2071   | 5566-07A3GS | 7 NO                | 30 MI. SELECT GOLD |   |   |   |
| 39-30-2081   | 5566-08A3GS | 8 NO                | 30 MI. SELECT GOLD |   |   |   |
| 39-30-2091   | 5566-09A3GS | 9 NO                | 30 MI. SELECT GOLD |   |   |   |
| 39-30-2101   | 5566-10A3GS | 10 NO               | 30 MI. SELECT GOLD |   |   |   |
| 39-30-2111   | 5566-11A3GS | 11 NO               | 30 MI. SELECT GOLD |   |   |   |
| 39-30-2121   | 5566-12A3GS | 12 NO               | 30 MI. SELECT GOLD |   |   |   |

**SEE SHEET 1**

FC NO: UCP2006-1990 2006/02/28  
 DRAWN: ADRAINOL 2006/02/28  
 CHKD: HPOLGAR 2006/02/28  
 APPR: ICOMERCI 2006/02/28

REVISIONS

| NO | DESCRIPTION |
|----|-------------|
| 1  |             |

**QUALITY SYMBOLS**

**GENERAL TOLERANCES (UNLESS SPECIFIED)**

| PLACES   | mm     | INCH    |
|----------|--------|---------|
| 4 PLACES | ± .01  | ± .0004 |
| 3 PLACES | ± .015 | ± .0006 |
| 2 PLACES | ± .02  | ± .0008 |
| 1 PLACE  | ± .03  | ± .0012 |

ANGULAR ± .5°

**DRAFT WHERE APPLICABLE MUST REMAIN WITHIN DIMENSIONS**

| 6   | 5               | 4                   | 3                  | 2 | 1 |
|---|-----------------|---------------------|--------------------|---|---|
| PASSIVE LOCK WITH MTC, PEGS, 94V-0 HOUSING MATERIAL |                 |                     |                    |   |   |
| PART NO   | ENG NO          | CKT DRAIN SIZE/HOLE | PLATING OPTION     |   |   |
| NO E.D.P.   | 5566-04B4-210   | 4 YES               | TIN OVER COPPER    |   |   |
| NO E.D.P.   | 5566-05B4-210   | 5 YES               | TIN OVER COPPER    |   |   |
| NO E.D.P.   | 5566-06B4-210   | 6 YES               | TIN OVER COPPER    |   |   |
| NO E.D.P.   | 5566-07B4-210   | 7 YES               | TIN OVER COPPER    |   |   |
| NO E.D.P.   | 5566-08B4-210   | 8 YES               | TIN OVER COPPER    |   |   |
| NO E.D.P.   | 5566-09B4-210   | 9 YES               | TIN OVER COPPER    |   |   |
| NO E.D.P.   | 5566-10B4-210   | 10 YES              | TIN OVER COPPER    |   |   |
| NO E.D.P.   | 5566-11B4-210   | 11 YES              | TIN OVER COPPER    |   |   |
| NO E.D.P.   | 5566-12B4-210   | 12 YES              | TIN OVER COPPER    |   |   |
| NO E.D.P.   | 5566-04A4-210   | 4 NO                | TIN OVER COPPER    |   |   |
| NO E.D.P.   | 5566-05A4-210   | 5 NO                | TIN OVER COPPER    |   |   |
| NO E.D.P.   | 5566-06A4-210   | 6 NO                | TIN OVER COPPER    |   |   |
| NO E.D.P.   | 5566-07A4-210   | 7 NO                | TIN OVER COPPER    |   |   |
| NO E.D.P.   | 5566-08A4-210   | 8 NO                | TIN OVER COPPER    |   |   |
| NO E.D.P.   | 5566-09A4-210   | 9 NO                | TIN OVER COPPER    |   |   |
| NO E.D.P.   | 5566-10A4-210   | 10 NO               | TIN OVER COPPER    |   |   |
| NO E.D.P.   | 5566-11A4-210   | 11 NO               | TIN OVER COPPER    |   |   |
| NO E.D.P.   | 5566-12A4-210   | 12 NO               | TIN OVER COPPER    |   |   |
| NO E.D.P.   | 5566-04B4GS-210 | 4 YES               | 30 MI. SELECT GOLD |   |   |
| NO E.D.P.   | 5566-05B4GS-210 | 5 YES               | 30 MI. SELECT GOLD |   |   |
| NO E.D.P.   | 5566-06B4GS-210 | 6 YES               | 30 MI. SELECT GOLD |   |   |
| NO E.D.P.   | 5566-07B4GS-210 | 7 YES               | 30 MI. SELECT GOLD |   |   |
| NO E.D.P.   | 5566-08B4GS-210 | 8 YES               | 30 MI. SELECT GOLD |   |   |
| NO E.D.P.   | 5566-09B4GS-210 | 9 YES               | 30 MI. SELECT GOLD |   |   |
| NO E.D.P.   | 5566-10B4GS-210 | 10 YES              | 30 MI. SELECT GOLD |   |   |
| NO E.D.P.   | 5566-11B4GS-210 | 11 YES              | 30 MI. SELECT GOLD |   |   |
| NO E.D.P.   | 5566-12B4GS-210 | 12 YES              | 30 MI. SELECT GOLD |   |   |
| NO E.D.P.   | 5566-04A4GS-210 | 4 NO                | 30 MI. SELECT GOLD |   |   |
| NO E.D.P.   | 5566-05A4GS-210 | 5 NO                | 30 MI. SELECT GOLD |   |   |
| NO E.D.P.   | 5566-06A4GS-210 | 6 NO                | 30 MI. SELECT GOLD |   |   |
| NO E.D.P.   | 5566-07A4GS-210 | 7 NO                | 30 MI. SELECT GOLD |   |   |
| NO E.D.P.   | 5566-08A4GS-210 | 8 NO                | 30 MI. SELECT GOLD |   |   |
| NO E.D.P.   | 5566-09A4GS-210 | 9 NO                | 30 MI. SELECT GOLD |   |   |
| NO E.D.P.   | 5566-10A4GS-210 | 10 NO               | 30 MI. SELECT GOLD |   |   |
| NO E.D.P.   | 5566-11A4GS-210 | 11 NO               | 30 MI. SELECT GOLD |   |   |
| NO E.D.P.   | 5566-12A4GS-210 | 12 NO               | 30 MI. SELECT GOLD |   |   |

| 6  | 5               | 4                   | 3                  | 2 | 1 |
|--|-----------------|---------------------|--------------------|---|---|
| POSITIVE LOCK WITH MTC, PEGS, 94V-0 HOUSING MATERIAL |                 |                     |                    |   |   |
| PART NO  | ENG NO          | CKT DRAIN SIZE/HOLE | PLATING OPTION     |   |   |
| 39-30-2046   | 5566-04B3-210   | 4 YES               | TIN OVER COPPER    |   |   |
| 39-30-2056   | 5566-05B3-210   | 5 YES               | TIN OVER COPPER    |   |   |
| 39-30-2066   | 5566-06B3-210   | 6 YES               | TIN OVER COPPER    |   |   |
| 39-30-2076   | 5566-07B3-210   | 7 YES               | TIN OVER COPPER    |   |   |
| 39-30-2086   | 5566-08B3-210   | 8 YES               | TIN OVER COPPER    |   |   |
| 39-30-2096   | 5566-09B3-210   | 9 YES               | TIN OVER COPPER    |   |   |
| 39-30-2106   | 5566-10B3-210   | 10 YES              | TIN OVER COPPER    |   |   |
| 39-30-2116   | 5566-11B3-210   | 11 YES              | TIN OVER COPPER    |   |   |
| 39-30-2126   | 5566-12B3-210   | 12 YES              | TIN OVER COPPER    |   |   |
| 39-30-2040   | 5566-04A3-210   | 4 NO                | TIN OVER COPPER    |   |   |
| 39-30-2050   | 5566-05A3-210   | 5 NO                | TIN OVER COPPER    |   |   |
| 39-30-2060   | 5566-06A3-210   | 6 NO                | TIN OVER COPPER    |   |   |
| 39-30-2070   | 5566-07A3-210   | 7 NO                | TIN OVER COPPER    |   |   |
| 39-30-2080   | 5566-08A3-210   | 8 NO                | TIN OVER COPPER    |   |   |
| 39-30-2090   | 5566-09A3-210   | 9 NO                | TIN OVER COPPER    |   |   |
| 39-30-2100   | 5566-10A3-210   | 10 NO               | TIN OVER COPPER    |   |   |
| 39-30-2110   | 5566-11A3-210   | 11 NO               | TIN OVER COPPER    |   |   |
| 39-30-2120   | 5566-12A3-210   | 12 NO               | TIN OVER COPPER    |   |   |
| 39-30-2048   | 5566-04B3GS-210 | 4 YES               | 30 MI. SELECT GOLD |   |   |
| 39-30-2058   | 5566-05B3GS-210 | 5 YES               | 30 MI. SELECT GOLD |   |   |
| 39-30-2068   | 5566-06B3GS-210 | 6 YES               | 30 MI. SELECT GOLD |   |   |
| 39-30-2078   | 5566-07B3GS-210 | 7 YES               | 30 MI. SELECT GOLD |   |   |
| 39-30-2088   | 5566-08B3GS-210 | 8 YES               | 30 MI. SELECT GOLD |   |   |
| 39-30-2098   | 5566-09B3GS-210 | 9 YES               | 30 MI. SELECT GOLD |   |   |
| 39-30-2108   | 5566-10B3GS-210 | 10 YES              | 30 MI. SELECT GOLD |   |   |
| 39-30-2118   | 5566-11B3GS-210 | 11 YES              | 30 MI. SELECT GOLD |   |   |
| 39-30-2128   | 5566-12B3GS-210 | 12 YES              | 30 MI. SELECT GOLD |   |   |
| 39-30-2042   | 5566-04A3GS-210 | 4 NO                | 30 MI. SELECT GOLD |   |   |
| 39-30-2052   | 5566-05A3GS-210 | 5 NO                | 30 MI. SELECT GOLD |   |   |
| 39-30-2062   | 5566-06A3GS-210 | 6 NO                | 30 MI. SELECT GOLD |   |   |
| 39-30-2072   | 5566-07A3GS-210 | 7 NO                | 30 MI. SELECT GOLD |   |   |
| 39-30-2082   | 5566-08A3GS-210 | 8 NO                | 30 MI. SELECT GOLD |   |   |
| 39-30-2092   | 5566-09A3GS-210 | 9 NO                | 30 MI. SELECT GOLD |   |   |
| 39-30-2102   | 5566-10A3GS-210 | 10 NO               | 30 MI. SELECT GOLD |   |   |
| 39-30-2112   | 5566-11A3GS-210 | 11 NO               | 30 MI. SELECT GOLD |   |   |
| 39-30-2122   | 5566-12A3GS-210 | 12 NO               | 30 MI. SELECT GOLD |   |   |

**SCALE**

--- METRIC

**DESIGN UNITS**

METRIC

**THIRD ANGLE PROJECTION**

**VERTICAL HEADER ASSY W/ PEG AND DRAIN OPTIONS MINI-FIT JR SINGLE ROW**

**MOLEX MOLEX INCORPORATED**

MATERIAL NO. SDA-5566-NL\* DOCUMENT NO. SHEET NO. 2 OF 4

**THIS DRAWING CONTAINS INFORMATION THAT IS PROPRIETARY TO MOLEX INCORPORATED AND SHOULD NOT BE USED WITHOUT WRITTEN PERMISSION**

**GENERAL TOLERANCES (UNLESS SPECIFIED)**

| PLACES   | mm     | INCH    |
|----------|--------|---------|
| 4 PLACES | ± .01  | ± .0004 |
| 3 PLACES | ± .015 | ± .0006 |
| 2 PLACES | ± .02  | ± .0008 |
| 1 PLACE  | ± .03  | ± .0012 |

ANGULAR ± .5°

**DRAFT WHERE APPLICABLE MUST REMAIN WITHIN DIMENSIONS**