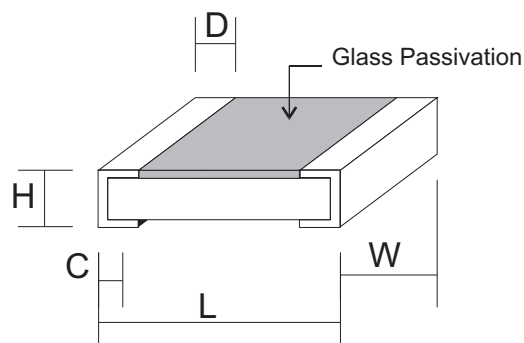


### INTRODUCTION

RFE International, Inc. offers a wide range of chip resistors to meet your application requirements. They are made with metal glazed thick film on a high purity ceramic substrate which is overcoated for stability and protection. These resistors are lead free.

### DIMENSIONS



### RATINGS FOR LOW RESISTANCE <1

TYPE	Rated Power at 70 °C	Max Working Voltage	Max Overload Voltage	T.C.R. (PPM/°C)	Resistance Range ( ) F(±1%), J(±5%)
RM04	0.063 W	0.43V	0.86V	±700 ±500	0.1 ~ 0.3 0.33 ~ 0.99
RM06 RM10	0.1 W 0.125 W	0.55V 0.61V	1.08V 1.22V	±1000 ±600 +400	0.05 ~ 0.091 0.1 ~ 0.3 0.33 ~ 0.99
RM12 RM25 RM50S	0.25 W 0.33 W 0.5 W	0.86V 0.99V 1.22V	1.74V 1.98V 2.44V	±800 ±600 ±500 ±400	0.01 ~ 0.049 0.05 ~ 0.091 0.1 ~ 0.3 0.33 ~ 0.99
RM50	0.5 W	1.22V	2.44V	±800 ±600 +400	0.01 ~ 0.091 0.1 ~ 0.3 0.33 ~ 0.99
RM1WS	1 W	1.72V	3.46V	±800 ±400 +300	0.01 ~ 0.049 0.05 ~ 0.091 0.1 ~ 0.99
RM1W	1 W	1.72V	3.46V	±800 ±700 ±500 +400	0.01 ~ 0.049 0.05 ~ 0.091 0.1 ~ 0.3 0.33 ~ 0.99
RM2W	2 W	2.44V	4.88V	±800	0.02 ~ 0.99

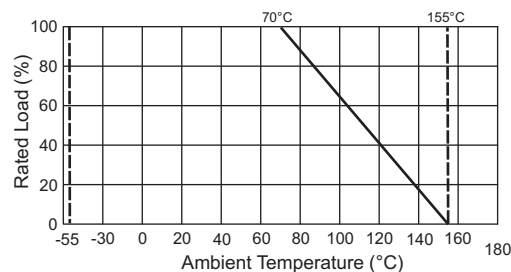
Type	Dimensions (mm)				
	L	W	H	C	D
RM04 (0402)	1.0 ± 0.1	0.5 ± 0.05	0.35 ± 0.05	0.20 ± 0.1	0.2 ± 0.1
RM06 (0603)	1.6 ± 0.2	0.8 ± 0.15	0.50 ± 0.1	0.30 ± 0.2	0.3 ± 0.15
RM10 (0805)	2.0 ± 0.2	1.25 ± 0.15	0.50 ± 0.15	0.40 ± 0.2	0.3 ± 0.15
RM12 (1206)	3.2 ± 0.2	1.6 ± 0.12	0.60 ± 0.15	0.45 ± 0.2	0.4 ± 0.2
RM25 (1210)	3.2 ± 0.2	2.5 ± 0.2	0.60 ± 0.15	0.50 ± 0.2	0.5 ± 0.2
RM50 (2010)	5.0 ± 0.2	2.5 ± 0.2	0.60 ± 0.1	0.60 ± 0.2	0.6 ± 0.2
RM50S (1812)	4.5 ± 0.1	3.01 ± 0.1	0.80 ± 0.1	0.55 ± 0.05	0.4 ± 0.1
RM1W (2512)	6.3 ± 0.2	3.1 ± 0.2	0.65 ± 0.1	0.60 ± 0.2	0.6 ± 0.2
RM1WS (1218)	3.0 ± 0.1	4.6 ± 0.1	0.55 ± 0.05	0.45 ± 0.1	0.4 ± 0.1
RM2W (2030)	5.1 ± 0.1	7.6 ± 0.1	0.60 ± 0.05	0.80 ± 0.1	0.7 ± 0.1

### RATINGS FOR HIGH RESISTANCE >10

TYPE	Rated Power at 70 °C	Max Working Voltage	Max Overload Voltage	T.C.R. (PPM/°C)	Resistance Range ( ) F(±1%), J(±5%)
RM04	0.0625W	50V	100V	±200	10.1M ~ 54M 10.1M ~ 100M
RM06	0.1W	50V	100V	±200	10.1M ~ 54M 10.1M ~ 100M
RM10	0.125W	150V	300V	±200	10.1M ~ 54M 10.1M ~ 100M
RM12	0.25W	200V	400V	±200	10.1M ~ 54M 10.1M ~ 100M
RM25	0.33W	200V	400V	±200	10.1M ~ 54M 10.1M ~ 100M
RM50S	0.5W	200V	400V	±200	10.1M ~ 54M 10.1M ~ 100M
RM50	0.5W	200V	400V	±200	10.1M ~ 54M 10.1M ~ 100M
RM1WS	1W	200V	400V	±200	10.1M ~ 54M 10.1M ~ 100M
RM1W	1.0W	200V	400V	±200	10.1M ~ 54M 10.1M ~ 100M
RM2W	2.0W	200V	400V	±200	10.1M ~ 54M 10.1M ~ 100M

### DERATING CURVE

Operating Temp. Range -55°C ~ +155°



### PART NUMBER EXAMPLE

RM 10 R - 0R02 - J