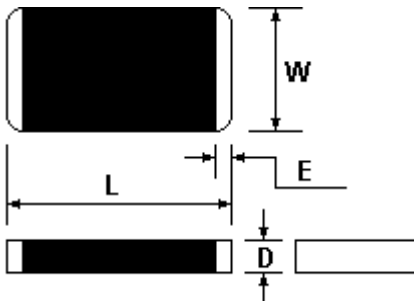


Multilayer Ceramic SMD Varistor

TPI 0805 Surface Mount ML-C Series

| TPI Model Number | Working Voltage (MAX) | | Breakdown Voltage | Peak Current (MAX) | Clamping Voltage (MAX) | | Energy Absorption (MAX) | Typical Capacitance |
|------------------|------------------------|--------|-------------------|--------------------|------------------------|-----|-------------------------|---------------------|
| | AC (V _{RMS}) | DC (V) | | | (A) | (V) | | |
| Unit Condition | | | 1mA (V) | 8/20μ s (A) | (A) | (V) | 10/1000μ s (J) | 1KHz (pF) |
| TPI0805ML050C | 2.5 | 3.3 | 5(4.0~6.0) | 40 | 1 | 10 | 0.1 | 1300~2500 |
| TPI0805ML080C | 4 | 5.5 | 8(6.4~9.6) | 80 | 1 | 16 | 0.1 | 1000~1250 |
| TPI0805ML120C | 6 | 9 | 12(9.6~14.4) | 80 | 1 | 20 | 0.1 | 600~800 |
| TPI0805ML150C | 8 | 11 | 15(12.75~17.25) | 80 | 1 | 25 | 0.1 | 500~700 |
| TPI0805ML180C | 11 | 14 | 18(15.3~20.7) | 80 | 1 | 30 | 0.1 | 400~650 |
| TPI0805ML220C | 12 | 16.5 | 22(19.8~24.2) | 80 | 1 | 30 | 0.2 | 350~550 |
| TPI0805ML240C | 14 | 18 | 24(21.6~27) | 80 | 1 | 39 | 0.2 | 300~400 |
| TPI0805ML270C | 17 | 22 | 27(24.3~29.8) | 80 | 1 | 44 | 0.2 | 270~380 |
| TPI0805ML330C | 20 | 26 | 33(31.5~38) | 100 | 1 | 54 | 0.3 | 250~350 |
| TPI0805ML390C | 25 | 30 | 39(36~45) | 100 | 1 | 65 | 0.3 | 230~320 |
| TPI0805ML470C | 30 | 38 | 47(42.3~51.7) | 100 | 1 | 77 | 0.3 | 150~250 |
| TPI0805ML560C | 35 | 45 | 56(50.4~61.6) | 100 | 1 | 90 | 0.3 | 120~200 |



| Type | L mm | W mm | D mm | E mm |
|-------------|----------|-----------|---------|--------------|
| TPI 0805 ML | 2.0±0.20 | 1.25±0.15 | 1.2 max | 0.3+0.1/-0.1 |

NOTES :

1. Tolerance of breakdown Voltage : 5~12V=±20%, 15~18V=±15%, 22~56V=±10%
2. Typical leakage at 25 °C < 50μA, maximum leakage 100μA.
3. Average power dissipation of transients for 0805 < 0.10W
4. In order to satisfy the applications of customer in various fields, the capacitance range can be designed during manufacturing according to the request, please contact our sales department if needed.