

PLEASE CHECK WWW.MOLEX.COM FOR LATEST PART INFORMATION

Part Number: [0554500369](#)
Status: **Active**
Description: 1.25mm (.049") Pitch Mi II™ System Wire-to-Board Header, SMT, Single Row, Vertical, 3 Circuits, without Plastic Peg, Lead-free

Documents:

[3D Model](#) [Product Specification PS-54596-022 \(PDF\)](#)
[Drawing \(PDF\)](#) [RoHS Certificate of Compliance \(PDF\)](#)

General

| | |
|----------------|-----------------------|
| Product Family | PCB Headers |
| Series | 55450 |
| Application | Wire-to-Board |
| Product Name | Mini Mi II™ |

Physical

| | |
|--------------------------------|--------------------------------|
| Breakaway | No |
| Circuits (Loaded) | 3 |
| Circuits (maximum) | 3 |
| Color - Resin | Natural |
| Durability (mating cycles max) | 30 |
| First Mate / Last Break | No |
| Glow-Wire Compliant | No |
| Guide to Mating Part | No |
| Keying to Mating Part | None |
| Lock to Mating Part | Yes |
| Mated Height (in) | 0.331 In |
| Mated Height (mm) | 8.40 mm |
| Material - Metal | Brass |
| Material - Plating Mating | Tin |
| Material - Plating Termination | Tin |
| Material - Resin | High Temperature Thermoplastic |
| Number of Rows | 1 |
| Orientation | Vertical |
| PCB Locator | No |
| PCB Retention | Yes |
| Packaging Type | Embossed Tape on Reel |
| Pitch - Mating Interface (in) | 0.049 In |
| Pitch - Mating Interface (mm) | 1.25 mm |
| Plating min: Mating (µin) | 40 |
| Plating min: Mating (µm) | 1.00 |
| Plating min: Termination (µin) | 40 |
| Plating min: Termination (µm) | 1.00 |
| Polarized to Mating Part | Yes |
| Shrouded | Fully |
| Stackable | No |
| Temperature Range - Operating | -40°C to +105°C |
| Termination Interface: Style | Surface Mount |

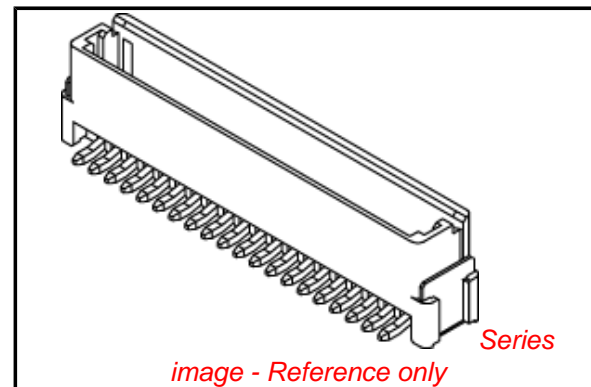
Electrical

| | |
|-------------------------------|------|
| Current - Maximum per Contact | 1.5A |
| Voltage - Maximum | 100V |

Material Info

Reference - Drawing Numbers

| | |
|-----------------------|--|
| Product Specification | PS-54596-022, RPS-54596-025, RPS-54596-026 |
|-----------------------|--|



EU RoHS

**ELV and RoHS
Compliant**
REACH SVHC
 Not Reviewed
Halogen-Free
Status
Not Reviewed

China RoHS



**Need more information on product
environmental compliance?**

Email productcompliance@molex.com
 For a multiple part number RoHS Certificate of Compliance, [click here](#)

Please visit the [Contact Us](#) section for any non-product compliance questions.

Search Parts in this Series

[55450Series](#)

Mates With

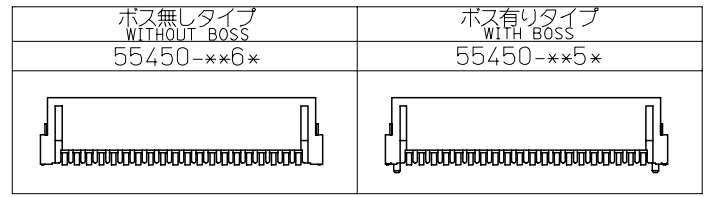
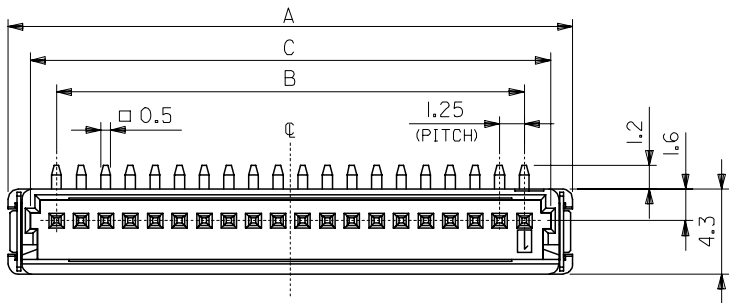
[54596 IDT Receptacle Housing](#)

This document was generated on 04/16/2010

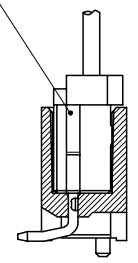
PLEASE CHECK WWW.MOLEX.COM FOR LATEST PART INFORMATION

10 9 8 7 6 5 4 3 2 1

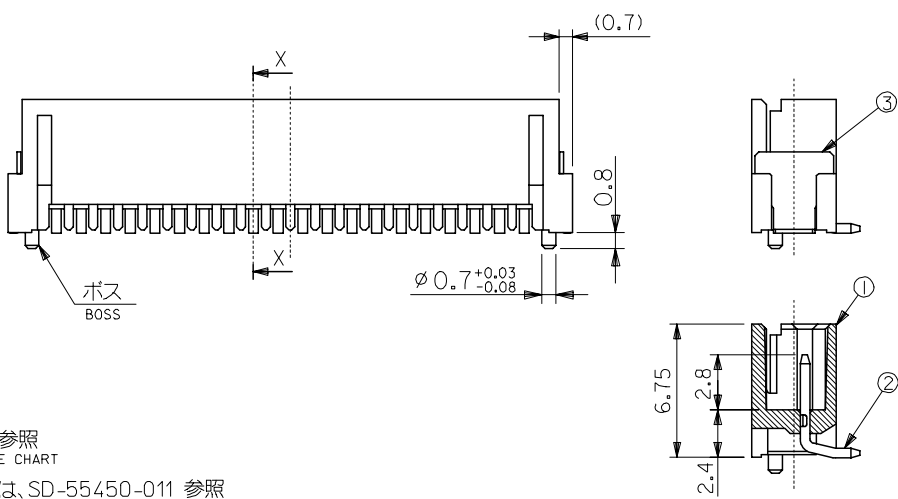
| 番号 NO. | 名称 NAME | 原料 MATERIAL | 数量 QTY | 仕上げ FINISH |
|--------|----------------------------|---------------|--------|----------------------|
| ① | ウエハー WAFER | ナイロン NYLON | 1 | UL94V-0 |
| ② | ピン PIN | 黄銅 BRASS | N | 全体錫メッキ PRE-TINNED |
| ③ | フィッティングネール FITTING NAIL | 黄銅 BRASS | 2 | 錫メッキ TIN PLATING |



54596-***
リセプトフルアセンブリ
REC. ASS'Y



嵌合図
MATING REC.



断面 X-X
SECTION X-X

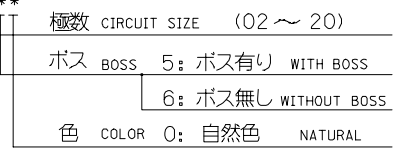
| | | | | | | |
|-------|-------|-------|-------|-------|--------------------|------------------------|
| 27.05 | 26.25 | 26.4 | 23.75 | 28.65 | 20 | 55450-20** |
| 25.8 | 25 | 25.15 | 22.5 | 27.4 | 19 | -19** |
| 24.55 | 23.75 | 23.9 | 21.25 | 26.15 | 18 | -18** |
| 23.3 | 22.5 | 22.65 | 20 | 24.9 | 17 | -17** |
| 22.05 | 21.25 | 21.4 | 18.75 | 23.65 | 16 | -16** |
| 20.8 | 20 | 20.15 | 17.5 | 22.4 | 15 | -15** |
| 19.55 | 18.75 | 18.9 | 16.25 | 21.15 | 14 | -14** |
| 18.3 | 17.5 | 17.65 | 15 | 19.9 | 13 | -13** |
| 17.05 | 16.25 | 16.4 | 13.75 | 18.65 | 12 | -12** |
| 15.8 | 15 | 15.15 | 12.5 | 17.4 | 11 | -11** |
| 14.55 | 13.75 | 13.9 | 11.25 | 16.15 | 10 | -10** |
| 13.3 | 12.5 | 12.65 | 10 | 14.9 | 9 | -09** |
| 12.05 | 11.25 | 11.4 | 8.75 | 13.65 | 8 | -08** |
| 10.8 | 10 | 10.15 | 7.5 | 12.4 | 7 | -07** |
| 9.55 | 8.75 | 8.9 | 6.25 | 11.15 | 6 | -06** |
| 8.3 | 7.5 | 7.65 | 5 | 9.9 | 5 | -05** |
| 7.05 | 6.25 | 6.4 | 3.75 | 8.65 | 4 | -04** |
| 5.8 | 5 | 5.15 | 2.5 | 7.4 | 3 | -03** |
| 4.55 | 3.75 | 3.9 | 1.25 | 6.15 | 2 | 55450-02** |
| E | D | C | B | A | 極数 CIRCUIT SIZE | △ 製品番号 MATERIAL NO. |

注) NOTES

1. 原料および仕上げ: 表参照
MATERIAL AND FINISH: SEE CHART
2. インボス梱包品の詳細は、SD-55450-011 参照
REFER TO THE SD-55450-011 FOR THE EMBOSSED PACKAGING.
3. 端子平坦度は 0.15 MA X. とする。
COPLANALITY TO BE 0.15 MAX.

△ 製品番号
MATERIAL NO.

55450-****



5. 本製品は 55450-**10/**30/**70/**80 の鉛フリー品である。
THIS PRODUCT IS LEAD FREE OF 55450-**10/**30/**70/**80.

| REVISED EC NO: J2007-0566 DRWN: OTANI CHKD: NUKITA APPR: NUKITA | DESCRIPTION | GENERAL TOLERANCES (UNLESS SPECIFIED) | | DIMENSION STYLE MM ONLY | | SCALE 4:1 | DESIGN UNITS METRIC | THIRD ANGLE PROJECTION | |
|---|-------------|---------------------------------------|-------------------|--|-------------------|---|------------------------------|------------------------|---------------------|
| | | 10 UNDER | ±0.2 | DRAWN BY N. AIDA | DATE '05/02/01 | TITLE MINI M12 1-ROW SMT WAFER ASS'Y (TIN) -LEAD FREE- | | MOLEX INCORPORATED | |
| 10 OVER 30 UNDER | ±0.25 | CHECKED BY K. TOJO | DATE '05/02/01 | APPROVED BY N. UKITA | | DATE '05/02/01 | DOCUMENT NO. SD-55450-010 | | SHEET NO. 1 OF 2 |
| 30 OVER | ±0.3 | ANGULAR ±3 ° | | MATERIAL NO. SEE CHART | | MATERIAL NO. SEE CHART | | SHEET NO. 1 OF 2 | |
| DRAFT WHERE APPLICABLE MUST REMAIN WITHIN DIMENSIONS | | SIZE A3 | | THIS DRAWING CONTAINS INFORMATION THAT IS PROPRIETARY TO MOLEX INCORPORATED AND SHOULD NOT BE USED WITHOUT WRITTEN PERMISSION | | | | | |

10

9

8

7

6

5

4

3

2

1

F

F

E

E

D

D

C

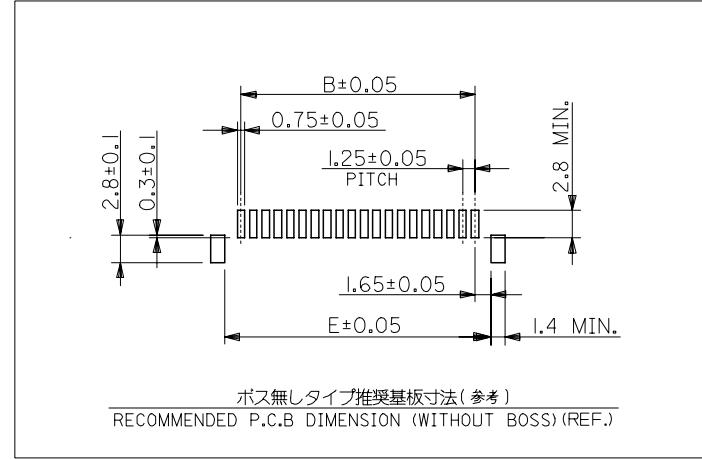
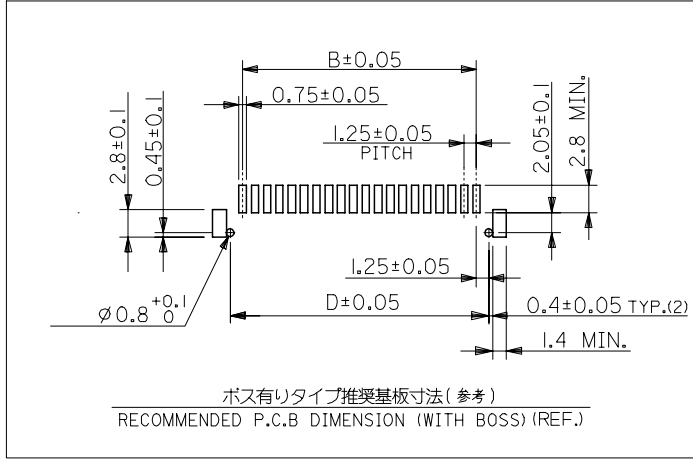
C

B

B

A

A



| | | | | | | | | |
|---|---------------------------------------|------------|----------------------------|---|---|------------------------|------------------------|--|
| REVISED EC NO: J2007-0566 DRWN: OTANI 2006/09/01 CHK: NUKITA 2006/09/05 APPR: NUKITA 2006/09/08 | GENERAL TOLERANCES (UNLESS SPECIFIED) | | DIMENSION STYLE MM ONLY | | SCALE 4:1 | DESIGN UNITS METRIC | THIRD ANGLE PROJECTION | |
| | 10 UNDER | ±0.2 | DRAWN BY N.AIDA | DATE '05/02/01 | TITLE MINI M12 1-ROW SMT WAFER ASS'Y (TIN) -LEAD FREE- | | | |
| | 10 OVER 30 UNDER | ±0.25 | CHECKED BY K.TOJO | DATE '05/02/01 | | | | |
| | 30 OVER | ±0.3 | APPROVED BY N.NUKITA | DATE '05/02/01 | MOLEX INCORPORATED DOCUMENT NO. SD-55450-010 SHEET NO. 2 OF 2 | | | |
| | ANGULAR | ±3 ° | MATERIAL NO. SEE CHART | | | | | |
| DRAFT WHERE APPLICABLE MUST REMAIN WITHIN DIMENSIONS | | SIZE A3 | | THIS DRAWING CONTAINS INFORMATION THAT IS PROPRIETARY TO MOLEX INCORPORATED AND SHOULD NOT BE USED WITHOUT WRITTEN PERMISSION | | | | |

9

8

7

6

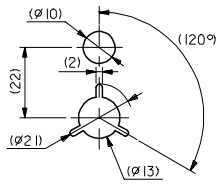
5

4

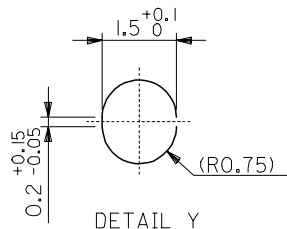
3

2

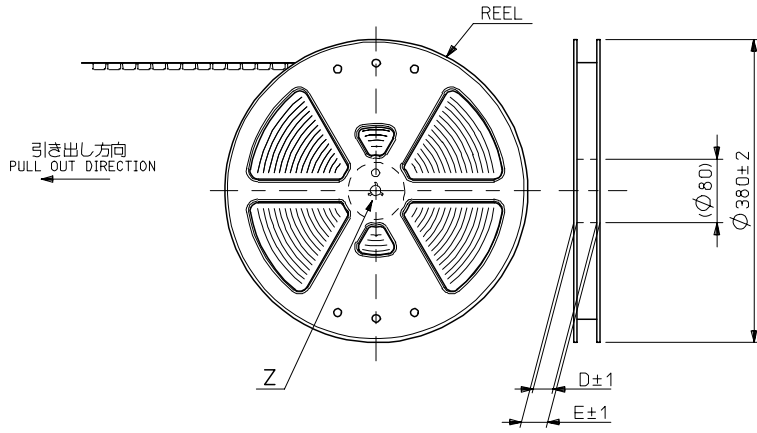
10 9 8 7 6 5 4 3 2 1



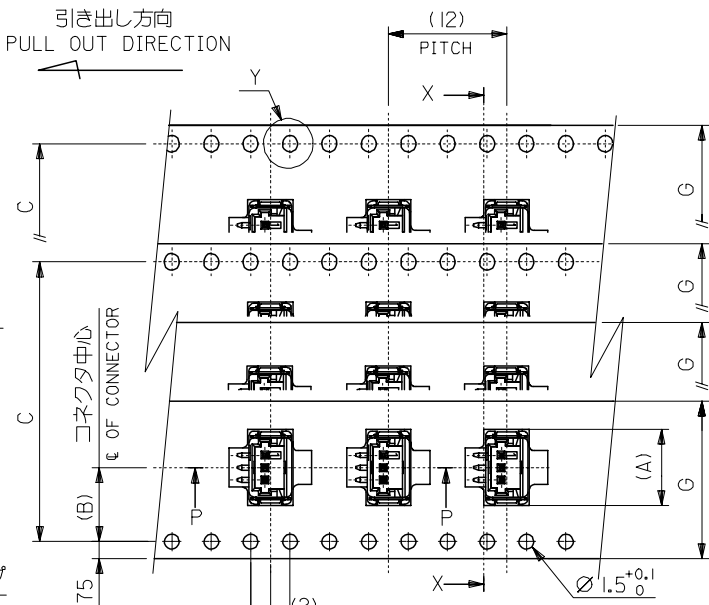
DETAIL Z



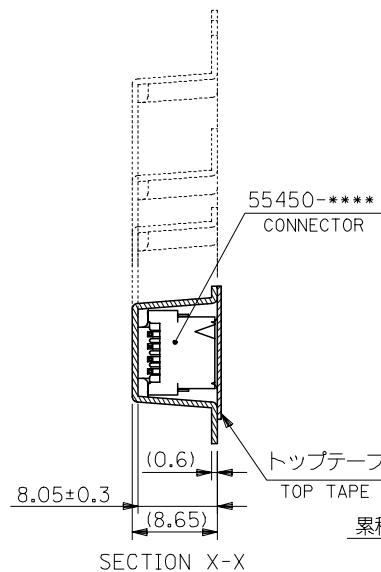
DETAIL Y
(10:1)



引き出し方向
PULL OUT DIRECTION



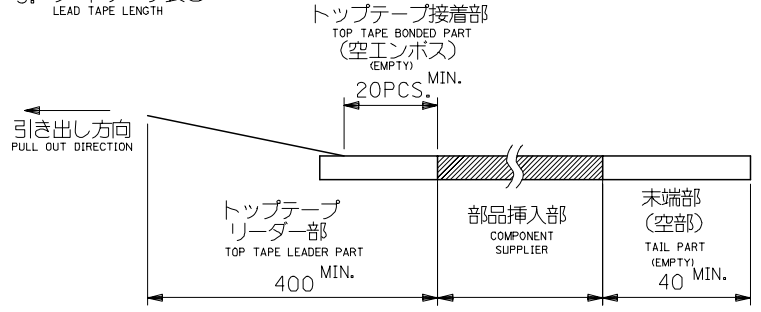
累積ピッチ: 40±0.2 4±0.1
ACCUMULATIVE PITCH



SECTION X-X

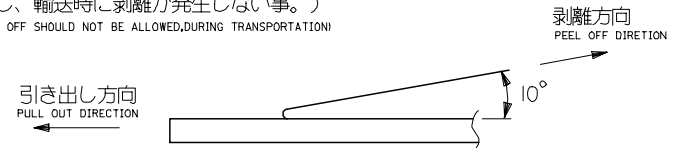
注)
NOTES

- 製品番号 55450-**** の詳細寸法については、SD-55450-010 を参照下さい。
IN THE PACKAGE, PART NO. 55450-**** DETAILED DIMENSIONS, SEE SD-55450-010.
- 梱包数量 : 880個/リール
NUMBER OF CONNECTORS : 880 PCS/REEL
- リードテープ長さ
LEAD TAPE LENGTH



- トップテープの剥離強度 (剥離方向は下図参照)
PEELING OFF FORCE OF TOP TAPE (PEELING DIRECTION AS SHOWN IN FOLLOWING FIG.)
0.1~1.3N (10~130gf)

尚、本規格値は、出荷時に適用。
THIS REQUIREMENT SHOULD BE APPLIED AT SHIPMENT
(但し、輸送時に剥離が発生しない事。)
(PEEL OFF SHOULD NOT BE ALLOWED, DURING TRANSPORTATION)



- 材料
MATERIAL
キャリアテープ : ポリプロピレン (PP)
CARRIER TAPE : POLYPROPYLENE (PP)
トップテープ : PET, PE, PEF
TOP TAPE : PET, PE, PEF
リール : ポリスチレン
REEL : POLYSTYRENE

△ テープ巾32, 44mmに適用。
THIS DIMENSION SHOULD BE APPLIED AT TAPE WIDTH OF 32, 44mm

- 本製品は 55450-xx19/xx39/xx79/xx89 の鉛フリー品である。
THIS PRODUCT IS LEAD FREE OF 55450-xx19/xx39/xx79/xx89.

| | | | | | | | | | | |
|---|---|--|-------|----------------------------|-------------------|--|------------------------|---------------------------|--|--|
| REVISED EC NO: J2006-1116 DRW: N. SUZUKI CHK: K. TOYODA APP: N. UKITA REV A | DESCRIPTION 2005/10/07 2005/10/11 2005/10/13 | GENERAL TOLERANCES (UNLESS SPECIFIED) | | DIMENSION STYLE MM ONLY | | SCALE --- | DESIGN UNITS METRIC | THIRD ANGLE PROJECTION | | |
| | | 10 UNDER | ± --- | DRAWN BY N. AIDA | DATE '05/02/01 | TITLE EMBOSSD TAPE PACKAGE FOR 55450-**** -LEAD FREE- | | | | |
| | | 10 OVER 30 UNDER | ± --- | CHECKED BY K. TOJO | DATE '05/02/01 | MOLEX INCORPORATED | | | | |
| | | 30 OVER | ± --- | APPROVED BY N. UKITA | DATE '05/02/01 | DOCUMENT NO. SD-55450-011 | | | | |
| ANGULAR ± --- ° | | DRAFT WHERE APPLICABLE MUST REMAIN WITHIN DIMENSIONS | | MATERIAL NO. SEE CHART | | SHEET NO. 1 OF 3 | | | | |
| SIZE A3 THIS DRAWING CONTAINS INFORMATION THAT IS PROPRIETARY TO MOLEX INCORPORATED AND SHOULD NOT BE USED WITHOUT WRITTEN PERMISSION | | | | | | | | | | |

10 9 8 7 6 5 4 3 2 1

F

F

E

E

D

D

C

C

B

B

A

A

| | | | | | | | | | | | | | | | | | | |
|----|------------------------|------|------|------|------|-------|------------|------------|------------------------------------|------------|------------|---------------------------------|-----------|--------------------|-------------------|-------|----|----|
| 44 | 3 | 49.4 | 45.4 | 40.4 | 20.2 | 28.95 | 55450-2060 | 55450-2069 | 55450-**69 ボス無し WITHOUT BOSS | 55450-2050 | 55450-2059 | 55450-**59 ボス有り WITH BOSS | 20 | OK | | | | |
| | | | | | | 27.7 | ↑ | -1960 | | ↑ | -1969 | | ↑ | -1950 | ↑ | -1959 | 19 | NO |
| | | | | | | 26.45 | | -1860 | | | -1869 | | | -1850 | | -1859 | 18 | OK |
| | | | | | | 25.2 | | -1760 | | | -1769 | | | -1750 | | -1759 | 17 | NO |
| | | | | | | 23.95 | | -1660 | | | -1669 | | | -1650 | | -1659 | 16 | OK |
| | | | | | | 22.7 | | -1560 | | | -1569 | | | -1550 | | -1559 | 15 | OK |
| | | | | | | 21.45 | | -1460 | | | -1469 | | | -1450 | | -1459 | 14 | OK |
| | | | | | | 20.2 | | -1360 | | | -1369 | | | -1350 | | -1359 | 13 | OK |
| | | | | | | 18.95 | | -1260 | | | -1269 | | | -1250 | | -1259 | 12 | OK |
| | | | | | | 17.7 | | -1160 | | | -1169 | | | -1150 | | -1159 | 11 | OK |
| 32 | 2 | 37.4 | 33.4 | 28.4 | 14.2 | 16.45 | | -1060 | | -1069 | | -1050 | | -1059 | 10 | OK | | |
| | | | | | | 15.2 | | -0960 | | -0969 | | -0950 | | -0959 | 9 | NO | | |
| | | | | | | 13.95 | | -0860 | | -0869 | | -0850 | | -0859 | 8 | OK | | |
| | | | | | | 12.7 | | -0760 | | -0769 | | -0750 | | -0759 | 7 | OK | | |
| | | | | | | 11.45 | | -0660 | | -0669 | | -0650 | | -0659 | 6 | OK | | |
| | | | | | | 10.2 | | -0560 | | -0569 | | -0550 | | -0559 | 5 | OK | | |
| 24 | 2 | 29.4 | 25.4 | 11.5 | 7.5 | 8.95 | | -0460 | | -0469 | | -0450 | | -0459 | 4 | NO | | |
| | | | | | | 7.7 | | -0360 | | -0369 | | -0350 | | -0359 | 3 | OK | | |
| | | | | | | 6.45 | 55450-0260 | 55450-0269 | | 55450-0250 | 55450-0259 | | 2 | OK | | | | |
| | | | | | | 16 | | | | | | | | | | | | |
| G | キャリアテープ巾 TAPE WIDTH | F | E | (D) | C | (B) | (A) | CONNECTOR | エンボス梱包品 製品番号 MATERIAL NO. | MODEL NO. | CONNECTOR | エンボス梱包品 製品番号 MATERIAL NO. | MODEL NO. | 極数 CIRCUIT SIZE | 量産対応 AVAILABLE | | | |

| | | | | | | | | | |
|--|---------------------------------------|---------|--|-------------------|--|------------------------|------------------------------|--|---------------------|
| REVISED EC NO: J2006-1116 DRW: NESUZUKI CHK: KATOYODA APPR: NUKITA 2005/10/07 2005/10/11 2005/10/13 | GENERAL TOLERANCES (UNLESS SPECIFIED) | | DIMENSION STYLE MM ONLY | | SCALE --- | DESIGN UNITS METRIC | THIRD ANGLE PROJECTION | | |
| | 10 UNDER | ± --- | DRAWN BY N. AIDA | DATE '05/02/01 | TITLE EMBOSSSED TAPE PACKAGE FOR 55450-**** -LEAD FREE- | | | | |
| | 10 OVER 30 UNDER | ± --- | CHECKED BY K. TOJO | DATE '05/02/01 | MOLEX INCORPORATED | | | | |
| | 30 OVER | ± --- | APPROVED BY N. UKITA | DATE '05/02/01 | MATERIAL NO. | | DOCUMENT NO. SD-55450-011 | | SHEET NO. 2 OF 3 |
| | ANGULAR | ± --- ° | DRAFT WHERE APPLICABLE MUST REMAIN WITHIN DIMENSIONS | | SEE CHART | | | | |

10 9 8 7 6 5 4 3 2 1

F

E

D

C

B

A

F

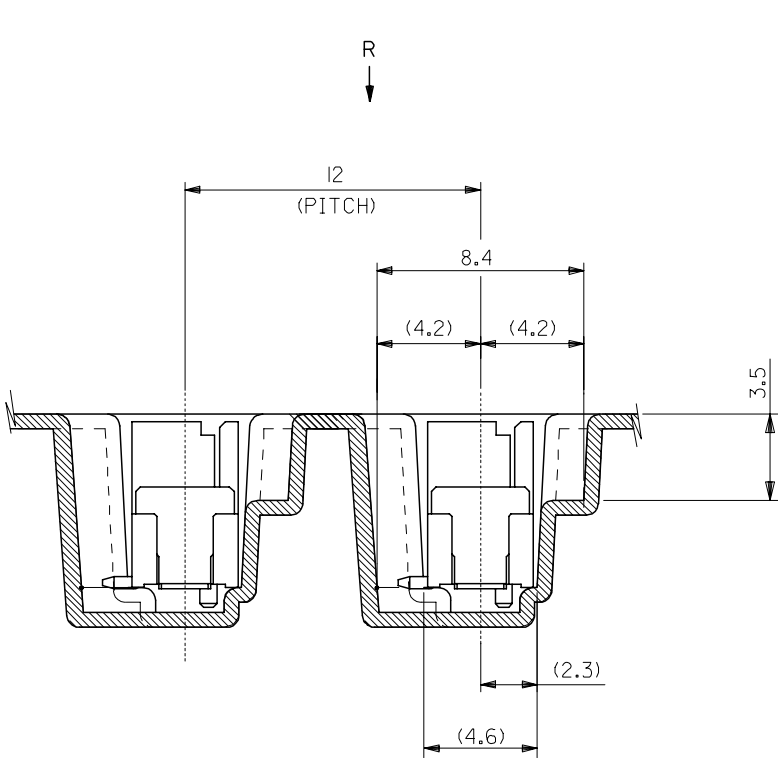
E

D

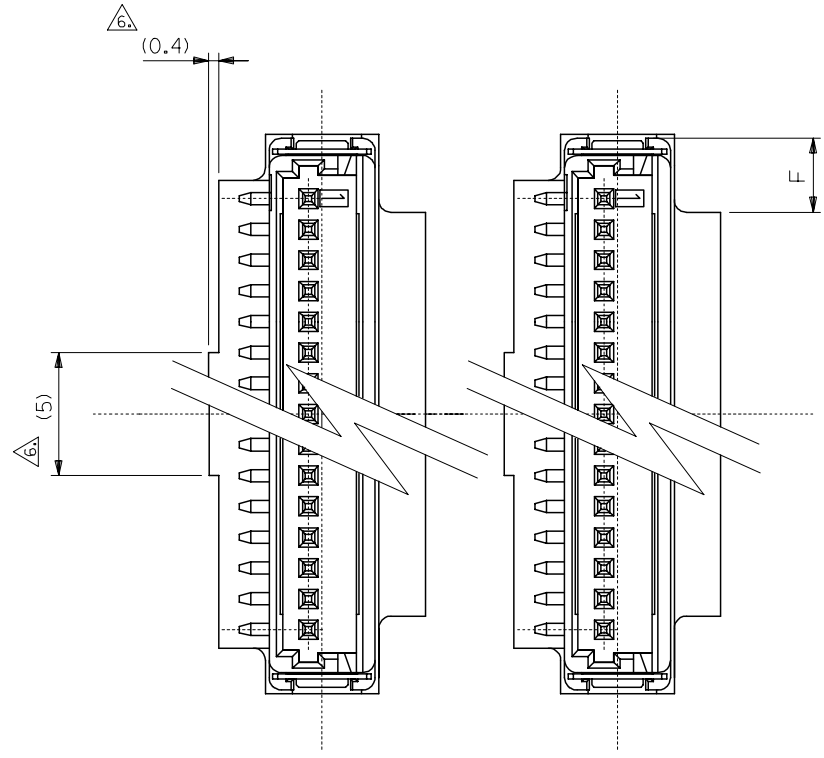
C

B

A



SECTION P-P
(5:1)



VIEW R
(5:1)

| | | | | | | | | | | |
|--|--|---------------------------------------|---------|----------------------------|-------------------|---|------------------------|------------------------|--|--|
| REVISED EC NO: J2006-1116 DRW: N. SUZUKI CHK: K. TOYODA APPR: N. UKITA | 2005/10/07 2005/10/11 2005/10/13 | GENERAL TOLERANCES (UNLESS SPECIFIED) | | DIMENSION STYLE MM ONLY | | SCALE 5:1 | DESIGN UNITS METRIC | THIRD ANGLE PROJECTION | | |
| | | 10 UNDER | ± --- | DRAWN BY N. AIDA | DATE '05/02/01 | TITLE EMBOSSD TAPK PKGAGE FOR 55450-**** -LEAD FREE- | | | | |
| | | 10 OVER 30 UNDER | ± --- | CHECKED BY K. TOJO | DATE '05/02/01 | | | | | |
| | | 30 OVER | ± --- | APPROVED BY N. UKITA | DATE '05/02/01 | MOLEX INCORPORATED | | | | |
| | | ANGULAR | ± --- ° | MATERIAL NO. | DOCUMENT NO. | | | | | |
| DRAFT WHERE APPLICABLE MUST REMAIN WITHIN DIMENSIONS | | SIZE A3 | | SEE CHART | | SD-55450-011 | | 3 OF 3 | | |