

PLEASE CHECK WWW.MOLEX.COM FOR LATEST PART INFORMATION

Part Number: [0350369802](#)
Status: **Active**
Description: .250mm (.009") Fuse Terminal, .85mm2 - 2.5mm2

Documents:

[Drawing \(PDF\)](#) [Product Specification PS-35827-001 \(PDF\)](#)
[Product Specification PS-35036-002 \(PDF\)](#) [RoHS Certificate of Compliance \(PDF\)](#)

General

Product Family	Crimp Terminals
Series	35036
Comments	Box Type
Crimp Quality Equipment	Yes
Product Name	N/A

Physical

Durability (mating cycles max)	10
Gender	Receptacle
Material - Metal	Brass
Material - Plating Mating	Tin
Material - Plating Termination	Tin
Packaging Type	Reel
Termination Interface: Style	Crimp or Compression
Wire Insulation Diameter	5.6mm (.220")
Wire Size AWG	14, 16, 18
Wire Size mm ²	1.02MM, 1.29MM, 1.63MM

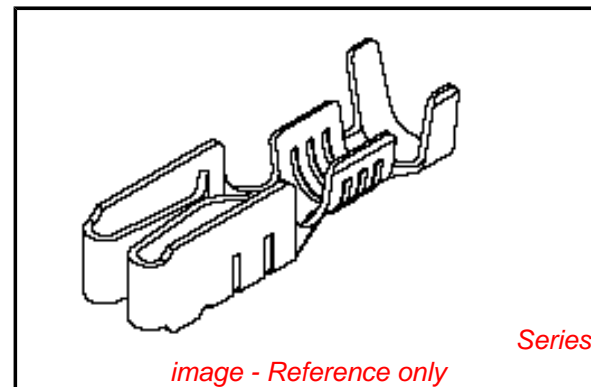
Electrical

Current - Maximum per Contact	10A, 18A
Voltage - Maximum	3V

Material Info

Reference - Drawing Numbers

Product Specification	PS-35036-002, PS-35827-001
Sales Drawing	SD-35036-001



EU RoHS

**ELV and RoHS
Compliant**
**REACH SVHC
Contains SVHC: No**
**Halogen-Free
Status**

China RoHS

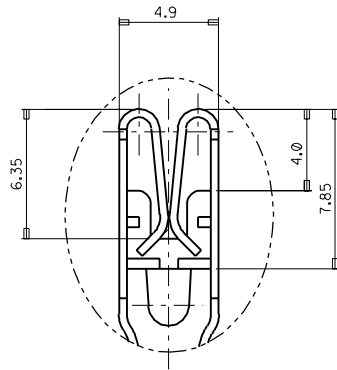
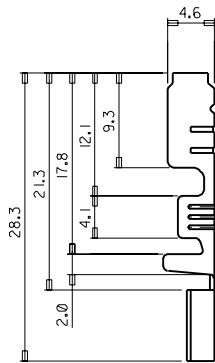
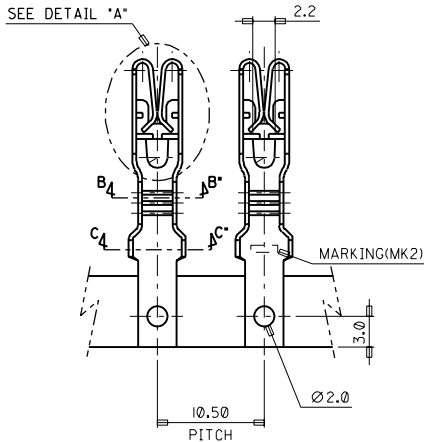


**Need more information on product
environmental compliance?**

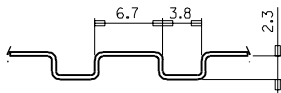
Email productcompliance@molex.com
 For a multiple part number RoHS Certificate of
 Compliance, [click here](#)

Please visit the [Contact Us](#) section for any
 non-product compliance questions.

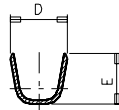
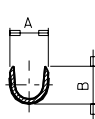
Search Parts in this Series
 35036Series



DETAIL "A"



SECTION B-B"



SECTION C-C"

NOTE

- MATERIAL: BRASS
THICKNESS: 0.4 mm
- PLATING: PRE-TIN PLATING
- WIRE SIZE: 0.3-0.5SO: 35036-9902
0.85-2.5SO: 35036-9802
3.0-5.0SO: 35036-9702

PART NO.	A	B	D	E
35036-9902	2.8	3.0	4.8	3.8
35036-9802	4.0	3.6	5.6	5.0
35036-9702	5.6	5.4	6.0	5.3

EC. NO. KOR1998-0089 DRAWN: B.C.YOON '98.5.30 CHK: B.C.YOON '98.5.30 APPR:	QUALITY SYMBOLS MAJOR CRITICAL MINOR	GENERAL TOLERANCES (UNLESS SPECIFIED)	SCALE	DESIGN UNITS	DIMENSIONS:	SHT	REV
			3:1	mm □ INCH	mm □ INCH □ mm □ INCH		
DESCRIPTION	4 PLACES ±0. INCH 3 PLACES ±0. INCH 2 PLACES ±0. INCH 1 PLACE ±0.3 INCH	DRAWN BY B. DATE B.C.YOON '97.10.24 CHECKED BY & DATE B.K.CHOI '97.10.24 APPROVED BY & DATE C.W.LEE '97.10.24	TITLE: 250 FUSE TERMINAL (BOX TYPE)				
			MOLEX INCORPORATED KOREA				
REV	ANGULAR: ± °	CAD FILENAME	MATERIAL NO.	DRAWING NO.	SHEET NO.		
	DRAFT WHERE APPLICABLE MUST REMAIN WITHIN DIMENSIONS	sd35036.dgn	SEE TABLE	SD-35036-001	1 OF 1		
		THIS DRAWING CONTAINS INFORMATION THAT IS PROPRIETARY TO MOLEX INCORPORATED AND SHOULD NOT BE USED WITHOUT WRITTEN PERMISSION.					
		SIZE B					