

Chip Attenuators (π type)

RCN02

●Features

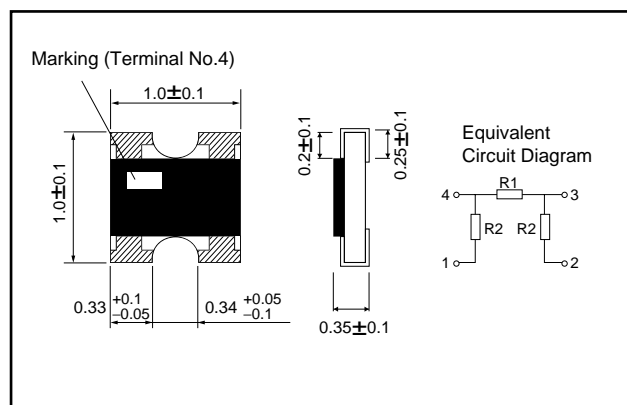
- 1) Compare with single type
- 2) Guarantee the attenuation
($\pm 0.3\text{db}$, $\pm 0.5\text{db}$)
- 3) Mounting area 50% less
- 4) Big reduction for mounting cost
(3 times \rightarrow Once)
- 5) ISO9001- / ISO/TS 16949-approved

●Quick reference

The design and specifications are subject to change without prior notice. Before ordering or using, please check the latest technical specifications.

Part No.	Size code	No. of terminals	No. of elements	Rated power (70°C)	Impedance	Voltage standing wave ratio	Operating temperature range (°C)
RCN02	1010 (0404)	4	3	0.04W / package	50 Ω	MAX 1.3	-55 to +125

●Dimensions (Unit: mm)



Resistors

●Part No. Explanation

R C N 0 2 M 1 P P E A 3 5 0 0 3

Part No.

Circuit

Code	Specification
PPE	π Circuit

Attenuation, Attenuation limitation

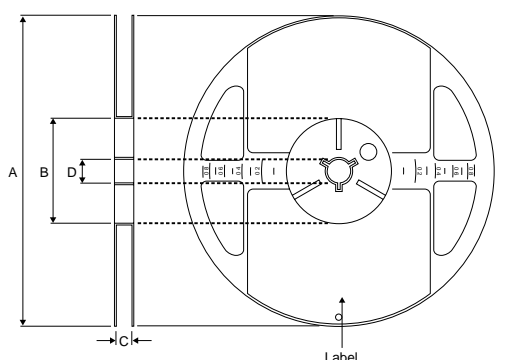
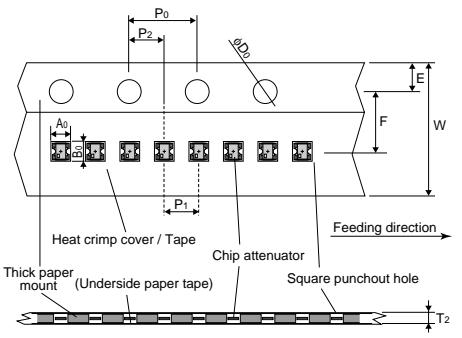
Code	Attenuation	Limitation
A3 5001	1dB	±0.3dB
A3 5002	2dB	
A3 5003	3dB	
A3 5004	4dB	
A3 5005	5dB	±0.5dB
A5 5006	6dB	
A5 5007	7dB	
A5 5008	8dB	
A5 5009	9dB	±0.8dB
A5 5010	10dB	
A8 5011	11dB	
A8 5012	12dB	
A8 5013	13dB	±1.5dB
B5 5014	14dB	
B5 5015	15dB	
B5 5016	16dB	
C0 5017	17dB	±2.0dB
C0 5018	18dB	
C0 5019	19dB	
C5 5020	20dB	

Packaging Specifications Code

Part No.	Packaging specifications	Reel	Basic ordering unit (pcs)
M1	Paper tape (2mm Pitch)	φ180mm (7in.)	10,000

Reel (φ180mm) : Compatible with JEITA standard "EIAJ ET-7200B"

●Packaging

Reel	Taping																												
 <p>EIAJ ET-7200B compliant</p> <p>(Unit : mm)</p> <table border="1"> <thead> <tr> <th>A</th> <th>B</th> <th>C</th> <th>D</th> </tr> </thead> <tbody> <tr> <td>$\phi 180 \begin{smallmatrix} 0 \\ -1.5 \end{smallmatrix}$</td> <td>$\phi 60 \begin{smallmatrix} +1 \\ 0 \end{smallmatrix}$</td> <td>$9 \begin{smallmatrix} +1.0 \\ 0 \end{smallmatrix}$</td> <td>$\phi 13 \pm 0.2$</td> </tr> </tbody> </table>	A	B	C	D	$\phi 180 \begin{smallmatrix} 0 \\ -1.5 \end{smallmatrix}$	$\phi 60 \begin{smallmatrix} +1 \\ 0 \end{smallmatrix}$	$9 \begin{smallmatrix} +1.0 \\ 0 \end{smallmatrix}$	$\phi 13 \pm 0.2$	 <p>(Unit : mm)</p> <table border="1"> <thead> <tr> <th>W</th> <th>F</th> <th>E</th> <th>A₀</th> <th>B₀</th> </tr> </thead> <tbody> <tr> <td>8.0±0.3</td> <td>3.5±0.05</td> <td>1.75±0.1</td> <td>1.17±0.1</td> <td>1.17±0.1</td> </tr> <tr> <th>D₀</th> <th>P₀</th> <th>P₁</th> <th>P₂</th> <th>T₂</th> </tr> <tr> <td>$\phi 1.5 \begin{smallmatrix} +0.1 \\ 0 \end{smallmatrix}$</td> <td>4.0±0.1</td> <td>2.0±0.1</td> <td>2.0±0.05</td> <td>Max. 0.5</td> </tr> </tbody> </table>	W	F	E	A ₀	B ₀	8.0±0.3	3.5±0.05	1.75±0.1	1.17±0.1	1.17±0.1	D ₀	P ₀	P ₁	P ₂	T ₂	$\phi 1.5 \begin{smallmatrix} +0.1 \\ 0 \end{smallmatrix}$	4.0±0.1	2.0±0.1	2.0±0.05	Max. 0.5
A	B	C	D																										
$\phi 180 \begin{smallmatrix} 0 \\ -1.5 \end{smallmatrix}$	$\phi 60 \begin{smallmatrix} +1 \\ 0 \end{smallmatrix}$	$9 \begin{smallmatrix} +1.0 \\ 0 \end{smallmatrix}$	$\phi 13 \pm 0.2$																										
W	F	E	A ₀	B ₀																									
8.0±0.3	3.5±0.05	1.75±0.1	1.17±0.1	1.17±0.1																									
D ₀	P ₀	P ₁	P ₂	T ₂																									
$\phi 1.5 \begin{smallmatrix} +0.1 \\ 0 \end{smallmatrix}$	4.0±0.1	2.0±0.1	2.0±0.05	Max. 0.5																									

Caution : Insertion direction of device to carrier tape.
Marking is on the left bottom side of the cavity to the feeding direction.

Notes

- No technical content pages of this document may be reproduced in any form or transmitted by any means without prior permission of ROHM CO.,LTD.
- The contents described herein are subject to change without notice. The specifications for the product described in this document are for reference only. Upon actual use, therefore, please request that specifications to be separately delivered.
- Application circuit diagrams and circuit constants contained herein are shown as examples of standard use and operation. Please pay careful attention to the peripheral conditions when designing circuits and deciding upon circuit constants in the set.
- Any data, including, but not limited to application circuit diagrams information, described herein are intended only as illustrations of such devices and not as the specifications for such devices. ROHM CO.,LTD. disclaims any warranty that any use of such devices shall be free from infringement of any third party's intellectual property rights or other proprietary rights, and further, assumes no liability of whatsoever nature in the event of any such infringement, or arising from or connected with or related to the use of such devices.
- Upon the sale of any such devices, other than for buyer's right to use such devices itself, resell or otherwise dispose of the same, no express or implied right or license to practice or commercially exploit any intellectual property rights or other proprietary rights owned or controlled by
- ROHM CO., LTD. is granted to any such buyer.
- Products listed in this document are no antiradiation design.

The products listed in this document are designed to be used with ordinary electronic equipment or devices (such as audio visual equipment, office-automation equipment, communications devices, electrical appliances and electronic toys).

Should you intend to use these products with equipment or devices which require an extremely high level of reliability and the malfunction of which would directly endanger human life (such as medical instruments, transportation equipment, aerospace machinery, nuclear-reactor controllers, fuel controllers and other safety devices), please be sure to consult with our sales representative in advance.

It is our top priority to supply products with the utmost quality and reliability. However, there is always a chance of failure due to unexpected factors. Therefore, please take into account the derating characteristics and allow for sufficient safety features, such as extra margin, anti-flammability, and fail-safe measures when designing in order to prevent possible accidents that may result in bodily harm or fire caused by component failure. ROHM cannot be held responsible for any damages arising from the use of the products under conditions out of the range of the specifications or due to non-compliance with the NOTES specified in this catalog.

Thank you for your accessing to ROHM product informations.

More detail product informations and catalogs are available, please contact your nearest sales office.

ROHM Customer Support System

THE AMERICAS / EUROPE / ASIA / JAPAN

www.rohm.com

Contact us : webmaster@rohm.co.jp