

YJ162-1

Absolute Maximum Ratings

Item	Symbol	Test Condition	Standard Value			Unit
			min.	typ.	max.	
Power Supply voltage for Logic	Vcc-Vss	-	0	-	7	V
Power Supply voltage for LCD Drive	Vcc-Vee	-	0	-	13.5	V
Voltage	V1	-	Vss	-	Vcc	V
Operating Temperature	Top	-	0	-	+50	°C
Storage Temperature	Tstg	-	-20	-	+60	°C

Electrical Characteristics

Item	Symbol	Test Condition	Standard Value			Unit
			min.	typ.	max.	
Input*High*Voltage	Vih	-	2.2	-	Vcc	V
Input*Low*Voltage	Vil	-	-0.3	-	0.8	V
Output*High*Voltage	VoH	I _{OH} =0.205mA	2.4	-	-	V
Output*Low*Voltage	VoL	I _{OL} =1.2mA	--	--	0.4	V
Power Supply Current	Icc	Vcc=5.0V	--	0.5	2.0	mA

* Vcc=5.0V±5% Ta=25°C

Display Format

16 characters x 2 lines

Display Fonts

5×8 dots

Driving Method

1/16D

Available Type

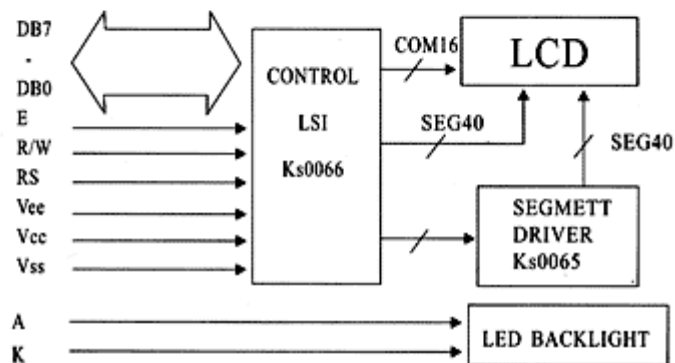
Yellow, Gray or B/W mode STN

Reflective, EL or LED Backlight

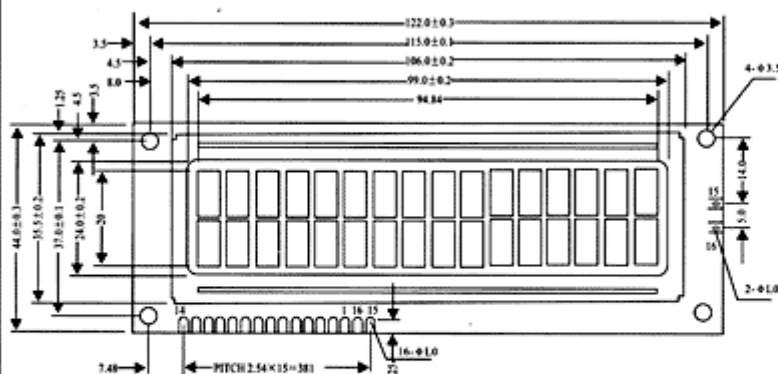
EL/100VAC, 400HZ

LED/4.2VDC

Block Diagram



External Dimensions/Display Pattern



1	2	3	4	5	6	7	8	9	10	11	12	13	14	15	16
Vss	Vcc	Vee	PS	R/W	E	DB0	DB1	DB2	DB3	DB4	DB5	DB6	DB7	LED-	LED+

