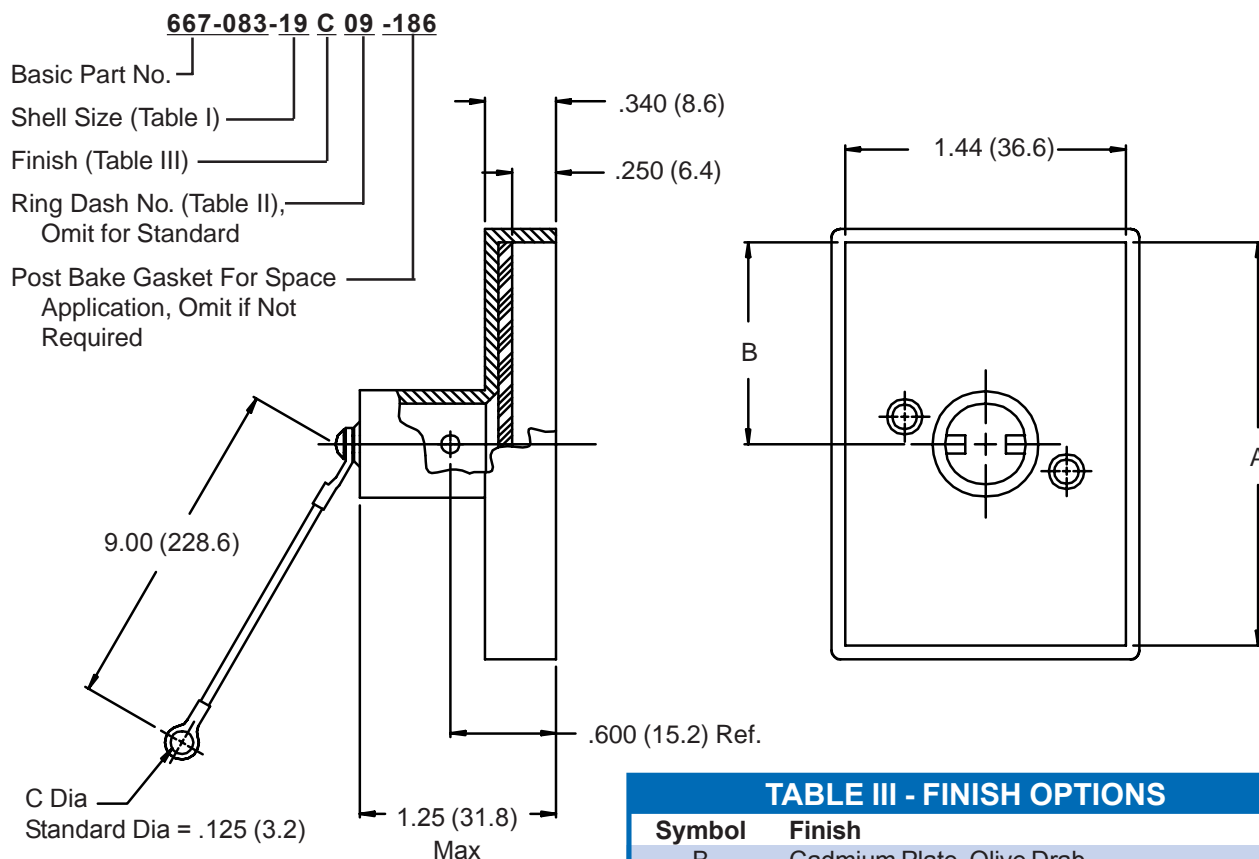


667-083

Protective Cover for Hypertronics NPBY Connectors


TABLE I: SHELL SIZE & CONNECTOR INTERFACE

Shell Size	Mating Connector	A	B
11	NPBY11/	1.826 (46.4)	.913 (23.2)
15	NPBY15/	2.226 (56.5)	1.113 (28.3)
19	NPBY19/	2.626 (66.7)	1.313 (33.4)
23	NPBY23/	3.026 (76.9)	1.513 (38.4)
27	NPBY27/	3.426 (87.0)	1.713 (43.5)
31	NPBY31/	3.826 (97.2)	1.913 (48.6)
35	NPBY35/	4.226 (107.3)	2.113 (53.7)
45	NPBY45/	5.226 (132.7)	2.613 (66.4)
52	NPBY52/	5.926 (150.5)	2.963 (75.3)

TABLE III - FINISH OPTIONS

Symbol	Finish
B	Cadmium Plate, Olive Drab
C	Black Anodize
J	Iridite, Gold Over Cadmium Plate over Nickel
M	Electroless Nickel
N	Cadmium Plate, Olive Drab, Over Nickel
NF	Cadmium Plate, Olive Drab, Over Electroless Nickel (1000 Hour Salt Spray)
T	Cadmium Plate, Bright Dip Over Nickel (500 Hour Salt Spray)

**CONSULT FACTORY FOR
OTHER AVAILABLE FINISHES**

TABLE II

Dash No.	C Dia
01	.140 (3.6)
02	.182 (4.6)
03	.191 (4.9)
04	.197 (5.0)
05	.167 (4.2)
07	.218 (5.5)
09	.156 (4.0)

- Metric dimensions (mm) are indicated in parentheses.
- Material/Finish:
 Cover and Knob = Al Alloy/
 Table III
 Hardware = SST/Passivate
 Rope Covering = Teflon/N.A.
 Gasket = Silicone/N.A.