

RoHS Compliant Product
A suffix of "-C" specifies halogen & lead-free

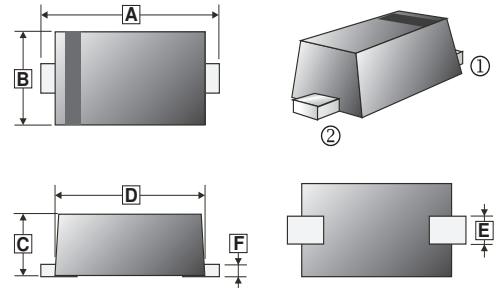
FEATURES

- 61000-4-2(ESD) : Air-15KV, Contact-8KV
- Unidirectional & Birectional Configurations
- Replacement for MLV (0805)
- Protects One Power or I/O Port
- Low Clamping Voltage
- Ultra Low Capacitance : 3pF Maximum

MECHANICAL DATA

- Case : SOD-323, Molded plastic over passivated junction
- Terminals : Solderable per MIL-STD-750, Method 2026
- Approx. Weight : 0.0041 grams
- Mounting Position : Any

SOD-323L



REF.	Millimeter		REF.	Millimeter	
	Min.	Max.		Min.	Max.
A	2.30	2.70	D	1.60	1.80
B	1.15	1.35	E	0.25	0.40
C	0.80	1.00	F	0.05	0.25

PACKAGE INFORMATION

Package	MPQ	LeaderSize
SOD-323L	5K	7' inch

MAXIMUM RATINGS (T_A=25°C unless otherwise specified)

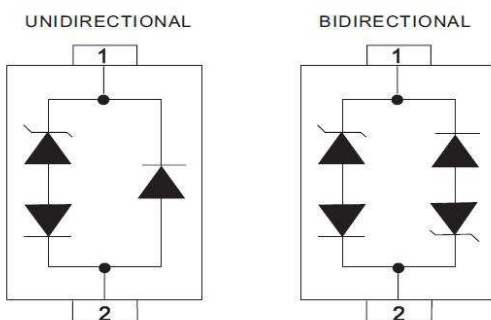
Parameter	Symbol	Value	Unit
Peak Pulse Power (tp = 8/20μs)-See Figure 1	P _{pp}	350	W
Operating and Storage Temperature Range	T _J , T _{STG}	-55 ~ +150	°C

ELECTRICAL CHARACTERISTICS PER LINE ($T_A=25^\circ\text{C}$ unless otherwise specified)

Part Number (See Notes 1-2)	Peak Power Dissipation	Rated-Stand-Off Voltage	Reverse Breakdown Voltage			Maximum Clamping Voltage (See Fig.2) @ 8/20 μs P _{PPM}		Leakage Current	Off-State Capacitance, 1MHz Zero dc Bias
			V_{RWM}	$V_{BR} @ I_T$		$V_C @ I_{PP}$			$I_R @ V_{RWM}$
		Max.	Min.	Max.	I_T	V	A	Max.	Co
		W	V	V	V	mA	V	A	μA
SDL03	350	3	4.75	5.25	1	7.5	1	20	3
SDL03C	350	3	4.75	5.25	1	7.5	1	20	3
SDL05	350	5	7.03	7.77	1	9.8	1	5	3
SDL05C	350	5	7.03	7.77	1	9.8	1	5	3
SDL08	350	8	8.93	9.87	1	13.4	1	1	3
SDL08C	350	8	8.93	9.87	1	13.4	1	1	3
SDL12	350	12	13.97	15.44	1	19	1	1	3
SDL12C	350	12	13.97	15.44	1	19	1	1	3
SDL15	350	15	17.39	19.22	1	24	1	1	3
SDL15C	350	15	17.39	19.22	1	24	1	1	3
SDL24	350	24	27.27	30.14	1	43	1	1	3
SDL24C	350	24	27.27	30.14	1	43	1	1	3

Notes :

1. Part numbers with and additional "C" suffix are bidirectional devices, i.e.,SDL03C
2. Unidirectional Only : Positive potential is applied from pin 2 to 1



RATINGS AND CHARACTERISTICS CURVES

