

# 2.00mm (0.079") PITCH CONNECTOR

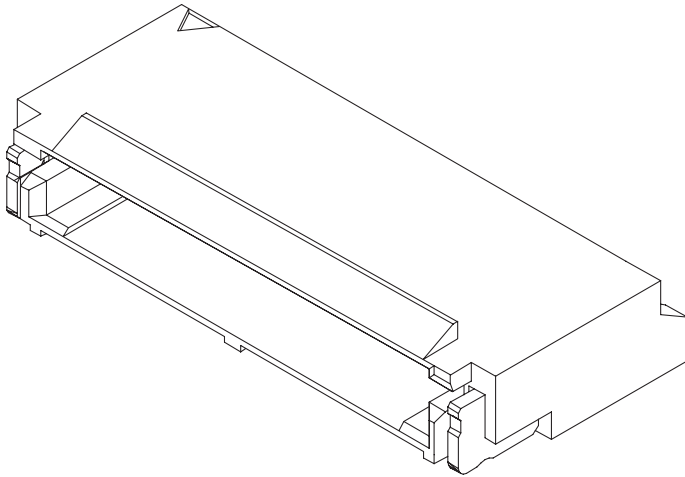


Wire-to-Board  
Wafer

**20015WR-NNL Series**

**SMT**

**Right Angle**

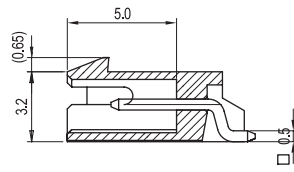
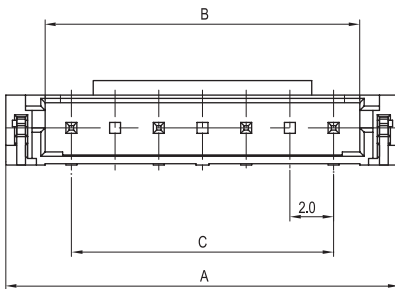
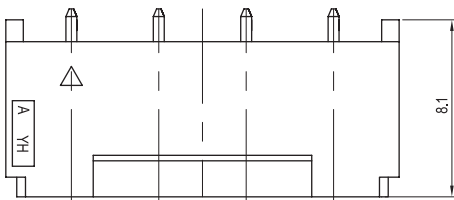


## Material

I/NO	DESCRIPTION	TITLE	MATERIAL
1	WAFER	20015WR-NNL	PA6T or PA46, UL 94V Grade
2	PIN		BRASS & Tin Plated
3	HOOK	20015LR	BRASS & Tin Plated

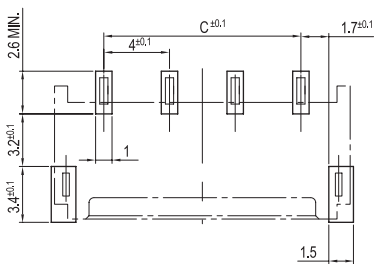
## Available Pin

PARTS NO.	A	B	C	Selective Voids Available Pin
20015WR-03L00	10.0	6.4	4.0	2
20015WR-05L00	14.0	10.4	8.0	2,3,4
20015WR-07L01	18.0	14.4	12.0	2,3,4,5,6
20015WR-05L01	14.0	10.4	8.0	2,4
20015WR-07L02	18.0	14.4	12.0	2,4,5,6
20015WR-07L00	18.0	14.4	12.0	2,4,6
20015WR-09L00	22.0	18.4	16.0	2,4,5,6,8
20015WR-09L01	22.0	18.4	16.0	2,4,6,8

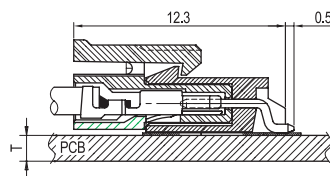


## Specification

ITEM	SPEC
Voltage Rating	AC/DC 600V
Current Rating	AC/DC 1A
Operating Temperature	-25°C~+85°C
Contact Resistance	30mΩ MAX
Withstanding Voltage	AC1800V/1min
Insulation Resistance	1000MΩ MIN
Applicable Wire	-
Applicable P.C.B	0.8~1.6mm
Applicable FPC/FFC	-
Solder Height	0.15mm
Crimp Tensile Strength	-
UL FILE NO	E108706



PCB LAYOUT



PCB ASS'Y