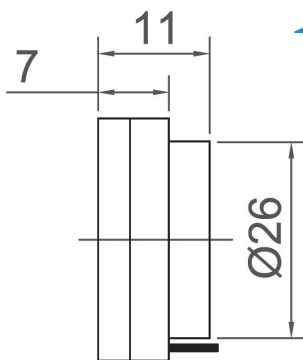
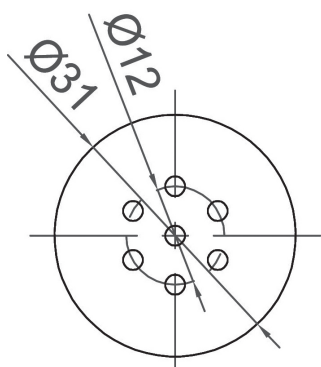


Dynamic Receiver



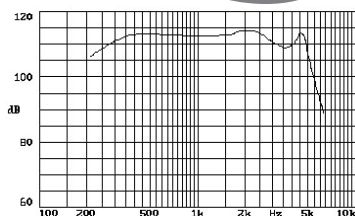
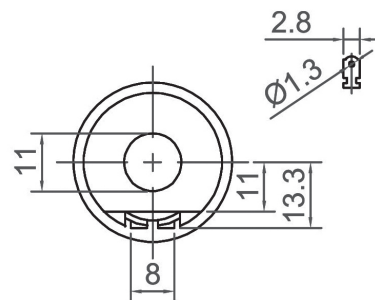
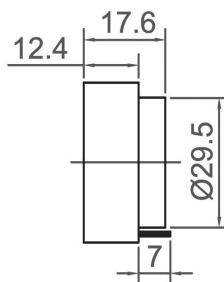
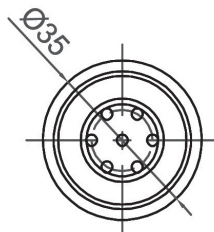
CDR3111



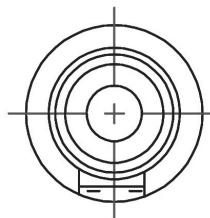
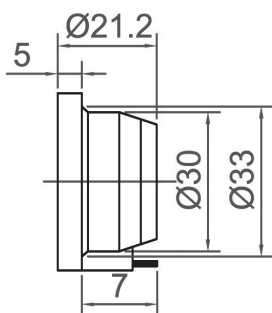
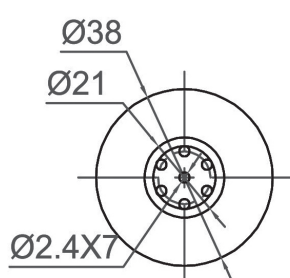
Canopus Part no.	Sensitivity At 1KHz (dB)	AC Impedance At 1KHz (Ω)	Input At 1KHz	Terminal	Housing	Weight (g)	HAC Compatible
CDR3111G093BE	93 \pm 3	150 \pm 20%	60mV	Plate	ABS	30	Optional



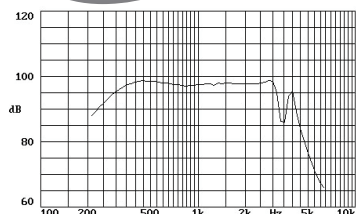
CDR3518



Canopus Part no.	Sensitivity At 1KHz (dB)	AC Impedance At 1KHz (Ω)	Input At 1KHz	Terminal	Housing	Weight (g)	HAC Compatible
CDR3518G110BE	110 \pm 3	150 \pm 20%	1mW	Plate	ABS	35	NIL



CDR3821



Canopus Part no.	Sensitivity At 1KHz (dB)	AC Impedance At 1KHz (Ω)	Input At 1KHz	Terminal	Housing	Weight (g)	HAC Compatible
CDR3821G096BE	96 \pm 3	150 \pm 20%	60mV	Plate	ABS	36	Optional

CANOPUS

Your Efficient Supplier
www.canopus.com.hk

TEL.: (852) 2806 2812

Fax: (852) 2652 2216