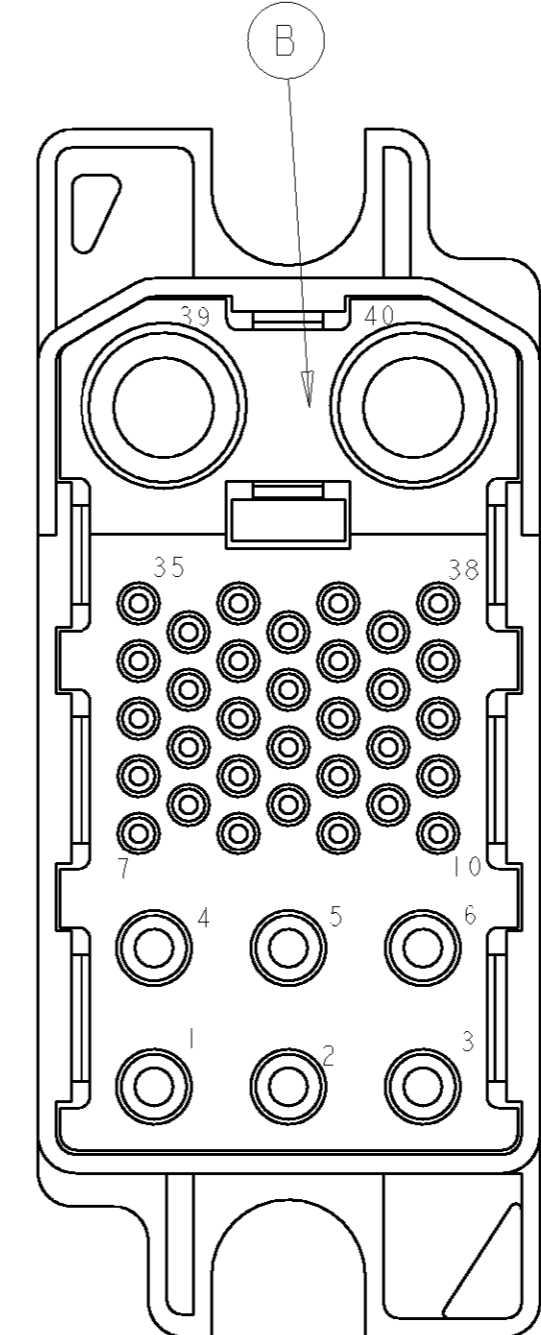
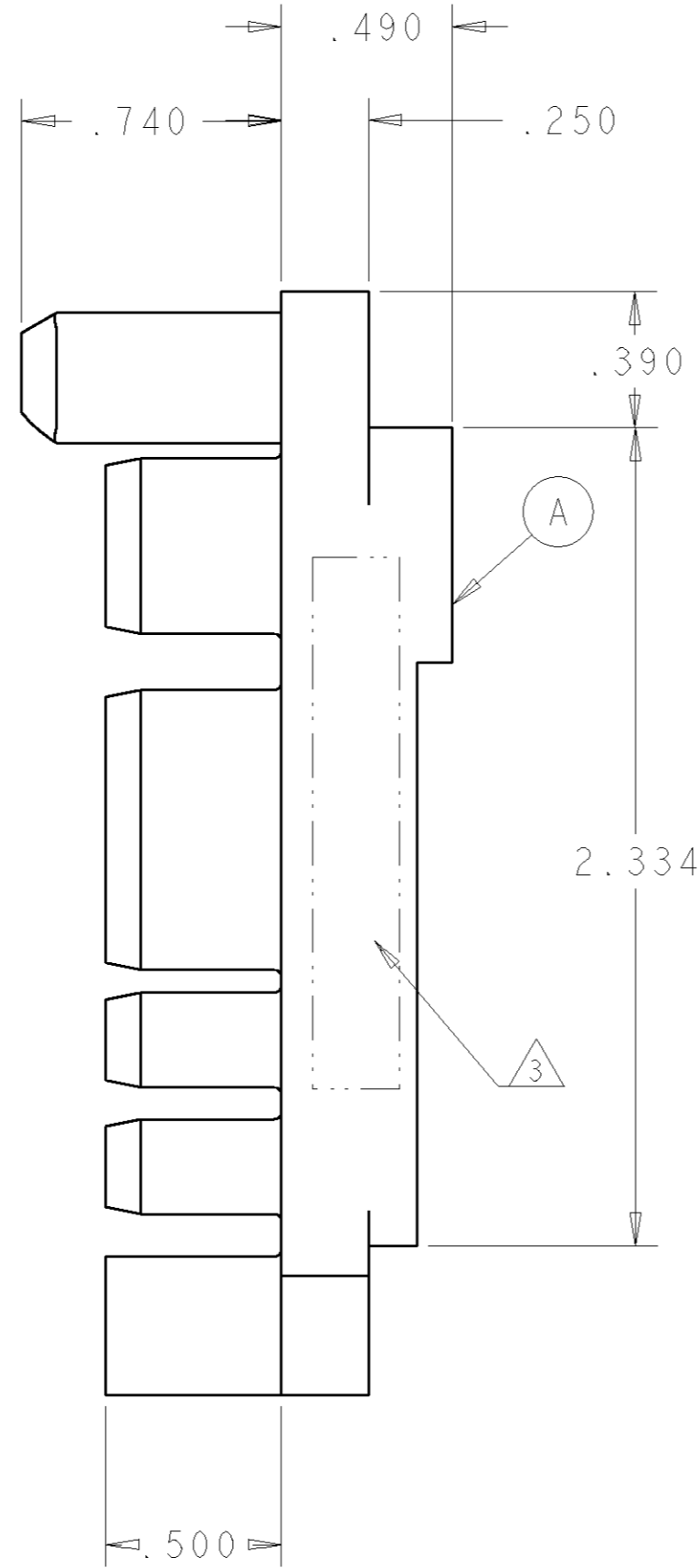
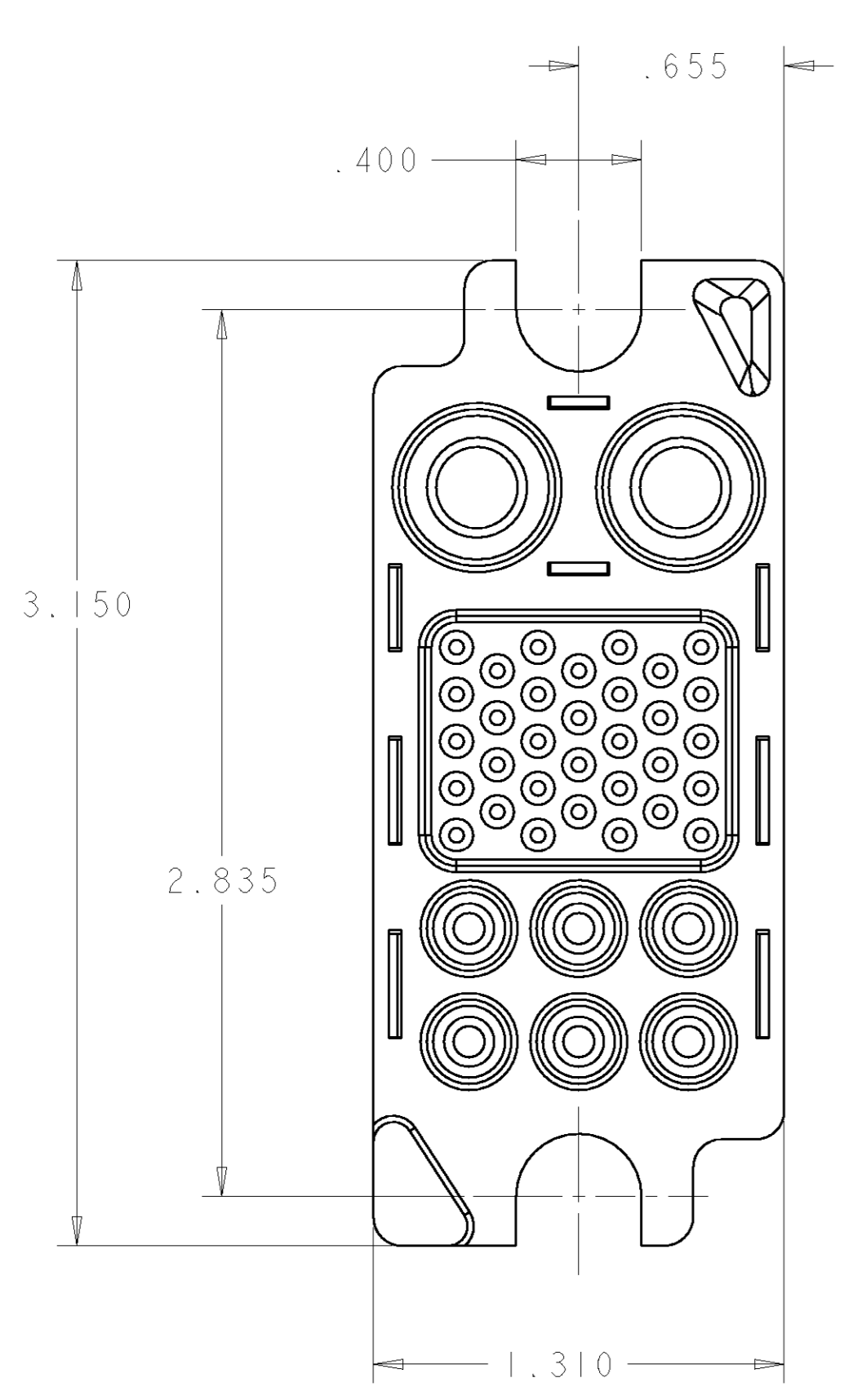


THIS DRAWING IS UNPUBLISHED. RELEASED FOR PUBLICATION 20
 © COPYRIGHT 20 BY TYCO ELECTRONICS CORPORATION. ALL RIGHTS RESERVED.

REVISONS							
LOC	DIST	P	LTR	DESCRIPTION	DATE	DWN	APVD
GP	00		A	NEW RELEASE	26APR2007	RG	DO



REAR VIEW

SOCKET CONTACTS
SIZE #4

SOCKET CONTACTS
SIZE #20

SOCKET CONTACTS
SIZE #12

1. PART NUMBER CHANGES AND OR DESIGN CHANGES AFFECTING THE INTERCHANGEABILITY REQUIRE PRIOR TYCO APPROVAL AND AUTHORIZATION BY REVISION TO THIS DRAWING.

2. MATERIAL:
 INSULATOR: THERMOPLASTIC, GLASS REINFORCED, UL 94V-0 FLAMMABILITY RATED, COLOR: BLACK
 RETENTION CLIP: BERYLLIUM COPPER OR STAINLESS STEEL

3. ITEMS PROVIDED TO THIS SPECIFICATION TO BE PERMANENTLY IDENTIFIED PER THE FOLLOWING IDENTIFIER:



6	1650489-1	CLIP, RETENTION, #12	E
32	1650484-1	CLIP, RETENTION, #20	D
2	1650485-1	CLIP, RETENTION, #4	C
1	1648637-1	HOUSING, SOCKET, REAR	B
1	1648635-1	HOUSING, SOCKET, FRONT	A
-1	PART NUMBER	DESCRIPTION	ITEM

THIS DRAWING IS A CONTROLLED DOCUMENT FOR TYCO ELECTRONICS CORPORATION. IT IS SUBJECT TO CHANGE AND THE CONTROLLING ENGINEERING ORGANIZATION SHOULD BE CONTACTED FOR THE LATEST REVISION.		DWN R. GRZYBOWSKI 26APR07 CHK D. ORRIS 26APR07 APVD S. FLICKINGER 26APR07	tyco Electronics Tyco Electronics Harrisburg, PA 17105-3608
DIMENSIONS: INCHES 	TOLERANCES UNLESS OTHERWISE SPECIFIED: 0 PLC ± 1 PLC ± 2 PLC ±.01 3 PLC ±.006 4 PLC ± ANGLES ± FINISH ±	NAME PRODUCT SPEC APPLICATION SPEC WEIGHT CUSTOMER DRAWING	NAME CONNECTOR, SOCKET PCB MOUNT 125A MIDDLE DRAWER SIZE CAGE CODE DRAWING NO RESTRICTED TO
MATERIAL: -		WEIGHT: - CUSTOMER DRAWING	A200779C-1648157 SCALE 3:1 SHEET 1 OF 1 REV A

ELCON MIDDLE DRAWER