

PLEASE CHECK WWW.MOLEX.COM FOR LATEST PART INFORMATION

Part Number: [0887511310](#)
Status: **Active**
Overview: [serial ata products](#)
Description: 1.27mm (.050") Pitch Serial ATA Power Adapter, 0.152m (6.00") Length, Crimping Type, Gold Flash, 5V+12V, Leadfree

Documents:

[Drawing \(PDF\)](#) [RoHS Certificate of Compliance \(PDF\)](#)

General

Product Family	Cable Assemblies
Series	88755
Connector to Connector	Serial ATA-to-Serial ATA
Overview	serial ata products
Product Name	Serial ATA

Physical

Cable Length	0.152m (6.00")
Circuits (Loaded)	15
Color - Resin	Black
Gender	Male-Female
Lock to Mating Part	Yes
Material - Metal	Phosphor Bronze
Material - Plating Mating	Gold
Material - Plating Termination	Tin
Material - Resin	Polyester
Packaging Type	Bag
Pitch - Mating Interface (in)	0.050 In
Pitch - Mating Interface (mm)	1.27 mm
Plating min: Mating (µin)	2
Plating min: Mating (µm)	0.05
Plating min: Termination (µin)	75
Plating min: Termination (µm)	1.875
Single Ended	No
Termination Interface: Style	Crimp or Compression
Wire Insulation Diameter	N/A
Wire Size AWG	18
Wire/Cable Type	PVC

Electrical

Current - Maximum per Contact	1.5A
Impedance	100 ohms
Shielded	No
Voltage - Maximum	40V

Material Info

Reference - Drawing Numbers

Sales Drawing	SD-88755-001
---------------	--------------

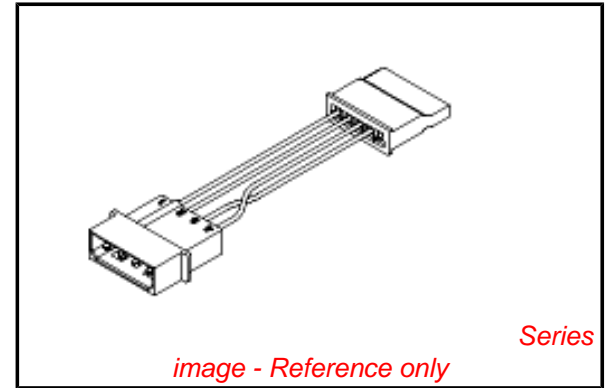


image - Reference only

EU RoHS

**ELV and RoHS
Compliant**
REACH SVHC
 Not Reviewed
**Halogen-Free
Status**

China RoHS



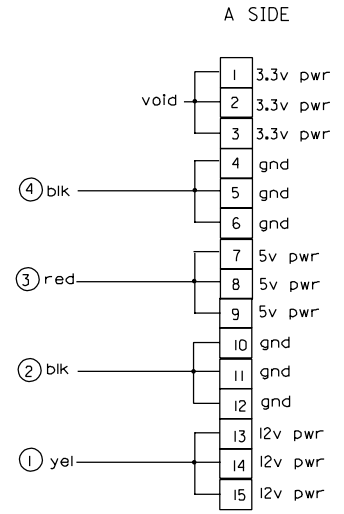
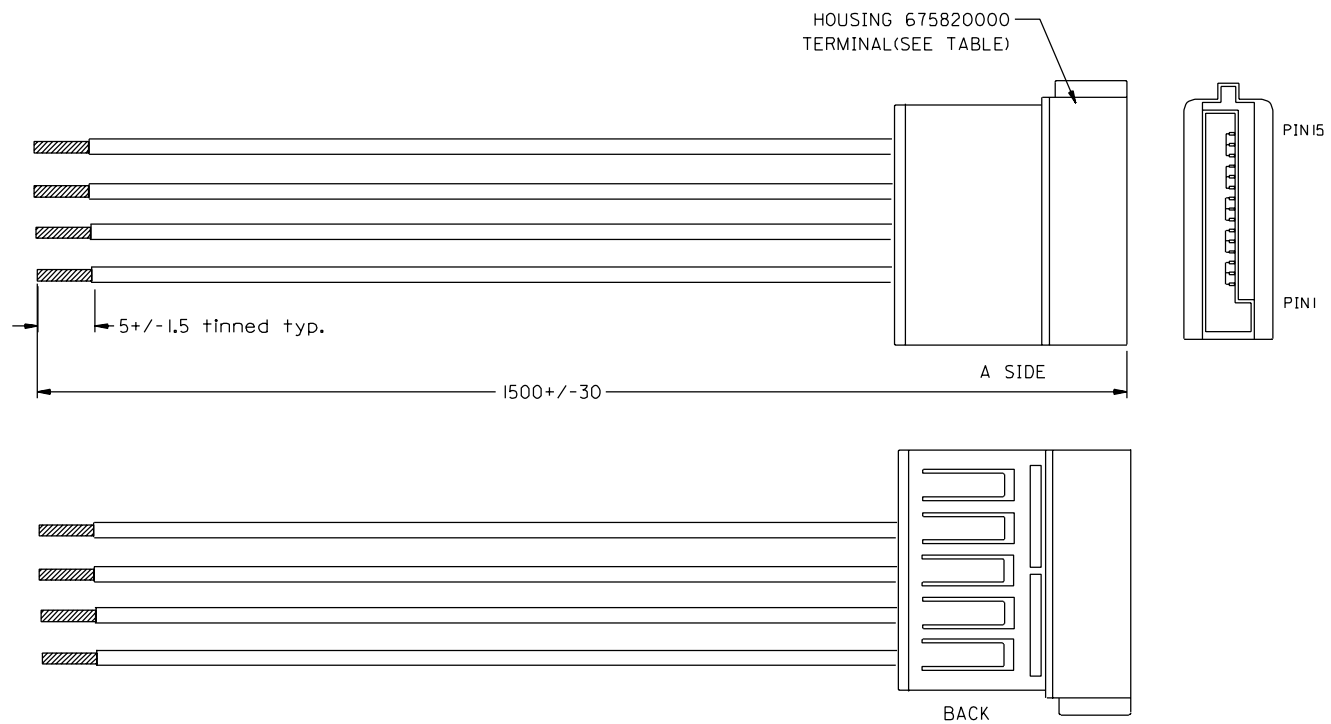
**Need more information on product
environmental compliance?**

Email productcompliance@molex.com
 For a multiple part number RoHS Certificate of Compliance, [click here](#)

Please visit the [Contact Us](#) section for any non-product compliance questions.

Search Parts in this Series

[88755Series](#)



NOTE: 1. ELECTRIC PERFORMANCE:
 ▽ DIELECTRONIC STRENGTH: 500 V DC/0.01Sec.
 INSULATION RESISTANCE: 100M OHMS Min.
 CONDUCTIVE RESISTANCE: 2 OHMS Max.

2. HOUSING 675820000:
 POLYESTER(PBT), UL94V-0(BLACK)

887511411	675810001 30u'
887511410	675810000 GOLD FLASH
MATERIAL NO.	TERMINAL

4	UL1007 #18 BLK 887711300
3	UL1007 #18 RED 887711301
2	UL1007 #18 BLK 887711300
1	UL1007 #18 YEL 887711303
Item	WIRE TYPE

TABLE

DIMENSIONS:		SHT	REV
<input type="checkbox"/> mm	<input type="checkbox"/> INCH	<input type="checkbox"/> mm	<input type="checkbox"/> ONLY
<input type="checkbox"/> INCH	<input type="checkbox"/> mm	REVISE ON CAD ONLY	

EC NO. DG2003-0009 DRWN: BENTZ 03/04/07 CHK: BENTZ 03/04/07 APPR: BOCHEN 03/04/07	EC NO. DG2003-0005 DRWN: BENTZ 02/08/08 CHK: BENTZ 02/08/08 APPR: TONY WONG 02/08/08	DESCRIPTION REV	QUALITY SYMBOLS MAJOR ▽ = CRITICAL ▽ = I	GENERAL TOLERANCES: (UNLESS SPECIFIED)	SCALE	DESIGN UNITS <input type="checkbox"/> mm <input type="checkbox"/> INCH	THIRD ANGLE PROJECTION	DRAWN BY & DATE BENTZ 02/08/08	CHECKED BY & DATE Tony Wong 02/08/08	APPROVED BY & DATE Tony Wong 02/08/08	TITLE: S-ATA POWER CABLE ASSEMBLY	
			4 PLACES ±0. ±. 3 PLACES ±0. ±. 2 PLACES ±0. ±. 1 PLACE ±0. ±.	mm INCH	DRAWN BY & DATE BENTZ 02/08/08	CHECKED BY & DATE Tony Wong 02/08/08	APPROVED BY & DATE Tony Wong 02/08/08	MOLEX INCORPORATED				
B	A	REV		ANGULAR: ± °	CAD FILENAME S88755AB.SOI	MATERIAL NO. SEE TABLE	DRAWING NO. SD-88755-002	SHEET NO. 1 OF 1	THIS DRAWING CONTAINS INFORMATION THAT IS PROPRIETARY TO MOLEX INCORPORATED AND SHOULD NOT BE USED WITHOUT WRITTEN PERMISSION.			SIZE A4