

**PLEASE CHECK WWW.MOLEX.COM FOR LATEST PART INFORMATION**

**Part Number:** [0014564131](#)  
**Status:** **Active**  
**Overview:** [cgrid\\_sl\\_products](#)  
**Description:** 2.54mm (.100") Pitch SL™ Insulation Displacement Connector Assembly, Female, Single Row, Version D, Back Ribs, Wire Size 24, 0.76µm (30µ") Gold (Au), 13 Circuits

**Documents:**

[3D Model](#) [Product Specification PS-70400 \(PDF\)](#)  
[Drawing \(PDF\)](#) [RoHS Certificate of Compliance \(PDF\)](#)

**Agency Certification**

CSA LR19980  
 UL E29179

**General**

Product Family Ribbon Cable / Wire Trap Connectors  
 Series [70400](#)  
 Comments Terminals Preloaded  
 Component Type Housing  
 Glow-Wire Compliant No  
 Overview [cgrid\\_sl\\_products](#)  
 Product Name SL™

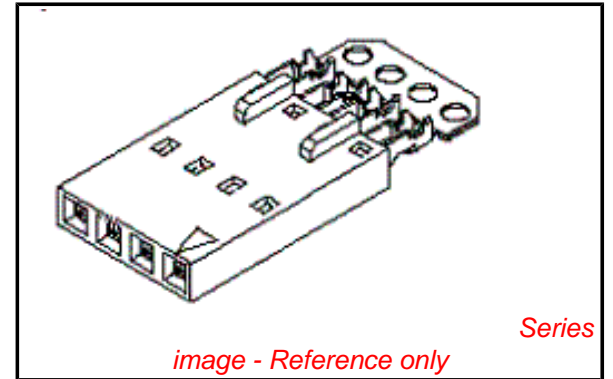
**Physical**

Circuits (Loaded) 13  
 Color - Resin Black  
 Durability (mating cycles max) 50  
 Entry Angle Vertical  
 Flammability 94V-0  
 Lock to Mating Part None  
 Material - Metal Phosphor Bronze  
 Material - Plating Mating Gold  
 Material - Plating Termination Tin  
 Material - Resin Polyester Alloy  
 Number of Rows 1  
 PCB Retention None  
 Packaging Type Tube  
 Pitch - Mating Interface (in) 0.100 In  
 Pitch - Mating Interface (mm) 2.54 mm  
 Plating min: Mating (µin) 30  
 Plating min: Mating (µm) 0.75  
 Plating min: Termination (µin) 75  
 Plating min: Termination (µm) 1.875  
 Polarized to Mating Part Yes  
 Stackable Yes  
 Surface Mount Compatible (SMC) N/A  
 Temperature Range - Operating -40°C to +105°C  
 Termination Interface: Style IDT or Pierce  
 Wire Insulation Diameter 1.35mm (.053") max.  
 Wire Size AWG 24  
 Wire/Cable Type Discrete Wire, Ribbon Cable

**Electrical**

Current - Maximum per Contact 3A  
 Voltage - Maximum 250V

**Material Info**



**EU RoHS**  
**ELV and RoHS**  
**Compliant**  
**REACH SVHC**  
**Not Reviewed**  
**Halogen-Free**  
**Status**  
**Not Reviewed**

**China RoHS**



**Need more information on product environmental compliance?**

Email [productcompliance@molex.com](mailto:productcompliance@molex.com)  
 For a multiple part number RoHS Certificate of Compliance, [click here](#)

Please visit the [Contact Us](#) section for any non-product compliance questions.

**Search Parts in this Series**

[70400Series](#)

**Mates With**

[70004](#) Interim Clip (Single Row), [70013](#) Interim Clip (Dual Row)

**Use With**

[7307](#) Tinned 28AWG, [7767](#) Topcoat 28AWG, [24241](#) Tinned 26AWG, [8996](#) Topcoat 26AWG, [24226](#) Tinned 24AWG, [8997](#) Topcoat 24AWG, [24369](#) High Flex 26AWG, [24389](#) High Flex 24AWG

**Application Tooling | FAQ**

*Tooling specifications and manuals are found by selecting the products below. Crimp Height Specifications are then contained in the Application Tooling Specification document.*

**Global**

Description	Product #
Hawk Semi-	<a href="#">0011201337</a>
Automatic Discrete	

Old Part Number

70400-1132

**Reference - Drawing Numbers**

Product Specification  
Sales Drawing

PS-70400  
SDA-70400-1121-1144

Wire Terminator for SL - Rebuilt US*	
Hawk™ Ribbon	<u>0623003000</u>
Cable Terminator for SL without Break-off	
Hawk™ Semi- Automatic Discrete	<u>0623004900</u>
Wire Terminator for SL - Rebuilt CE Approved*	
Hawk™ Flat Flex	<u>0623005200</u>
Cable Terminator for SL with Break-off	
Hawk™ Ribbon	<u>0623005300</u>
Cable Terminator with for SL Break-off	
IDT Discrete	<u>0621000700</u>
Handtool Module for SL™	
Hawk™ Semi- Automatic Discrete	<u>0623003100</u>
Wire Terminator for SL	

This document was generated on 05/21/2010

**PLEASE CHECK [WWW.MOLEX.COM](http://WWW.MOLEX.COM) FOR LATEST PART INFORMATION**

# OPTION D

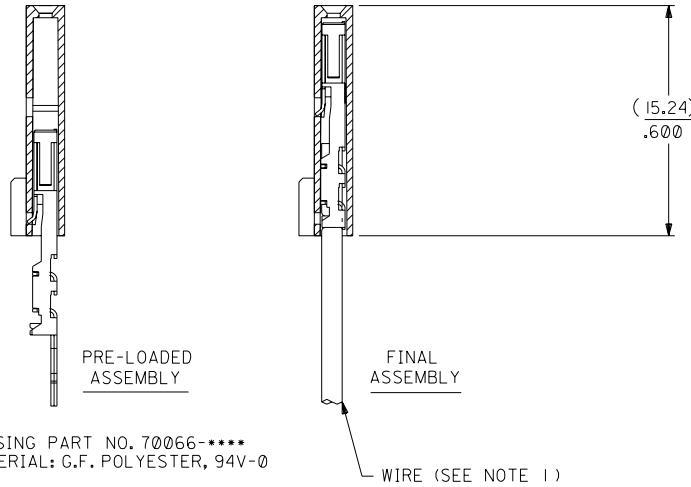
## NOTES:

- TO BE USED WITH (24) AWG. STRANDED WIRE WITH (1.35)/.053 DIA. MAX. INSULATION.
- SEE CHART FOR CIRCUIT SIZES.
- STANDARD PACKAGING PER PK-70873-0001. OPTIONAL PACKAGING MAY BE AVAILABLE, REQUEST DWG. PK-70400
- PARTS STACKABLE END TO END ON (2.54)/.100 CENTERS.
- REFER TO PRODUCT SPECIFICATION: PS-70400.
- SEE DWG. SDA-70400-\*\*\*\* (SHT. 5) FOR OPTIONAL HOUSING DETAILS.
- 4 CIRCUIT SHOWN. 3 - 25 CKT'S. HAVE (2) RIBS.
- TO MATE WITH MOLEX PART NO'S.: 70004-\*\*\*\*, 70013-\*\*\*\*

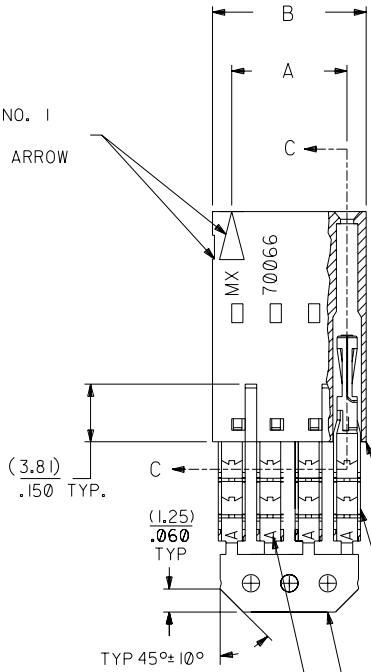
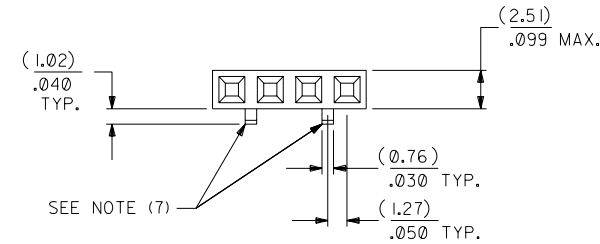
9) 2 CIRCUIT ASSEMBLIES SUPPLIED AS GROUPED PAIRS.



## SECTION C-C



CIRCUIT NO. 1  
SLOT OR ARROW



I.D. SLOT CODE TO WIRE GAUGE CHART	
I.D. SLOT CODE	WIRE GAUGE
A	24 AWG.

PLATING CODE (STRIPE ON CARRIER STRIP)	
PLATING	COLOR
30 GOLD	RED

TERMINAL PART NO. 70028-\*\*\*\*  
MATERIAL: PHOSPHOR BRONZE  
PLATING PER ES-88-\*\*\*

30 GOLD - .000030 MIN. GOLD IN SELECT AREA WITH .000075 MIN. TIN IN SELECT AREA OVER .000050 MIN. NICKEL OVER-ALL.

\*THE PRIMARY SHIPPING CARTON WILL BE LABELED "COMPLIANT TO ROHS DIRECTIVE 2002/95/EC AND ELV ANNEX II OF DIRECTIVE 2000/53/EC". CARTONS WITHOUT THIS LABEL MAY CONTAIN PRODUCT WITH LEAD.

CKT. SIZE	A	B	EDP. NO.	ENG. NO.
2	( 2.54 ) .100	( 5.05 ) .199	14-56-4021	A-70400-1121
3	( 5.08 ) .200	( 7.59 ) .299	14-56-4031	A-70400-1122
4	( 7.62 ) .300	( 10.13 ) .399	14-56-4041	A-70400-1123
5	( 10.16 ) .400	( 12.67 ) .499	14-56-4051	A-70400-1124
6	( 12.70 ) .500	( 15.21 ) .599	14-56-4061	A-70400-1125
7	( 15.24 ) .600	( 17.75 ) .699	14-56-4071	A-70400-1126
8	( 17.78 ) .700	( 20.29 ) .799	14-56-4081	A-70400-1127
9	( 20.32 ) .800	( 22.83 ) .899	14-56-4091	A-70400-1128
10	( 22.86 ) .900	( 25.37 ) .999	14-56-4101	A-70400-1129
11	( 25.54 ) 1.000	( 27.91 ) 1.099	14-56-4111	A-70400-1130
12	( 27.94 ) 1.100	( 30.45 ) 1.199	14-56-4121	A-70400-1131
13	( 30.48 ) 1.200	( 32.99 ) 1.299	14-56-4131	A-70400-1132
14	( 33.02 ) 1.300	( 35.53 ) 1.399	14-56-4141	A-70400-1133
15	( 35.56 ) 1.400	( 38.07 ) 1.499	14-56-4151	A-70400-1134
16	( 38.01 ) 1.500	( 40.61 ) 1.599	14-56-4161	A-70400-1135
17	( 40.64 ) 1.600	( 43.15 ) 1.699	14-56-4171	A-70400-1136
18	( 43.18 ) 1.700	( 45.69 ) 1.799	14-56-4181	A-70400-1137
19	( 45.72 ) 1.800	( 48.23 ) 1.899	14-56-4191	A-70400-1138
20	( 48.26 ) 1.900	( 50.77 ) 1.999	14-56-4201	A-70400-1139
21	( 50.80 ) 2.000	( 53.31 ) 2.099	14-56-4211	A-70400-1140
22	( 53.34 ) 2.100	( 55.85 ) 2.199	14-56-4221	A-70400-1141
23	( 55.88 ) 2.200	( 58.39 ) 2.299	14-56-4231	A-70400-1142
24	( 58.42 ) 2.300	( 60.93 ) 2.399	14-56-4241	A-70400-1143
25	( 60.96 ) 2.400	( 63.47 ) 2.499	14-56-4251	A-70400-1144

I.D. SLOT CODE TO WIRE GAUGE CHART	
I.D. SLOT CODE	WIRE GAUGE
A	24 AWG.

PLATING CODE (STRIPE ON CARRIER STRIP)	
PLATING	COLOR
30 GOLD	RED

TERMINAL PART NO. 70028-\*\*\*\*  
MATERIAL: PHOSPHOR BRONZE  
PLATING PER ES-88-\*\*\*

30 GOLD - .000030 MIN. GOLD IN SELECT AREA WITH .000075 MIN. TIN IN SELECT AREA OVER .000050 MIN. NICKEL OVER-ALL.

\*THE PRIMARY SHIPPING CARTON WILL BE LABELED "COMPLIANT TO ROHS DIRECTIVE 2002/95/EC AND ELV ANNEX II OF DIRECTIVE 2000/53/EC". CARTONS WITHOUT THIS LABEL MAY CONTAIN PRODUCT WITH LEAD.

DIMENSIONS SHOWN (METRIC) INCH		UNLESS OTHERWISE SPECIFIED TOLERANCES: ANGULAR ± 1/2°		MFG. SH. REV.	
E	LEAD FREE UCP2004-1769 RWHITE 04/03/17	C	REVISIONS	3 PLACE ± .010	2 PLACE ± .014 ± 0.25
DI	ADD CARRIER CHAMF ECN #UDT1998-0280 05/20/98 LMCGRATH	B	REVISIONS	1 PLACE --- ± 0.35	---
LTR.	REVISIONS	LTR.	REVISIONS	DRAWING INFORMATION	
REVISED PER ECR NO. U82110 10-17-88 AAB		REVISED PER ECR #U80110 2/3/88 MJM		DRAWING INFORMATION	
REDRAWN ON CAD ECR# 8842 5/8/86 W.Z.		REVISIONS		DRAWING INFORMATION	
DRAFT WHERE APPLICABLE MUST REMAIN WITHIN DIMENSIONS		SCALE 4:1		DRAWING INFORMATION	
DRWG. BY WAZ		CHK'D. BY WAZ		DRAWING INFORMATION	
APP'D. BY		SCALE 4:1		DRAWING INFORMATION	
FILE NAME S70400DX7		THIS DRAWING CONTAINS INFORMATION THAT IS PROPRIETARY TO MOLEX INC. AND SHOULD NOT BE USED WITHOUT WRITTEN PERMISSION.		DRAWING INFORMATION	
TITLE ASSEMBLY, SL CONNECTOR (SINGLE ROW- (2.54)/.100 GRID)		SHEET NO. 60532		DATE 10/10/84	
PART NO. SDA-70400-1121-1144		MOLEX INCORPORATED LISLE, ILL. 60532 U.S.A.		DRAWING INFORMATION	
SEE CHART		DRAWING INFORMATION		DRAWING INFORMATION	
FILE NAME S70400DX7		THIS DRAWING CONTAINS INFORMATION THAT IS PROPRIETARY TO MOLEX INC. AND SHOULD NOT BE USED WITHOUT WRITTEN PERMISSION.		DRAWING INFORMATION	