

**Silicon NPN Power Transistors**

**BD175 BD177 BD179**

**DESCRIPTION**

www.datasheet4u.com

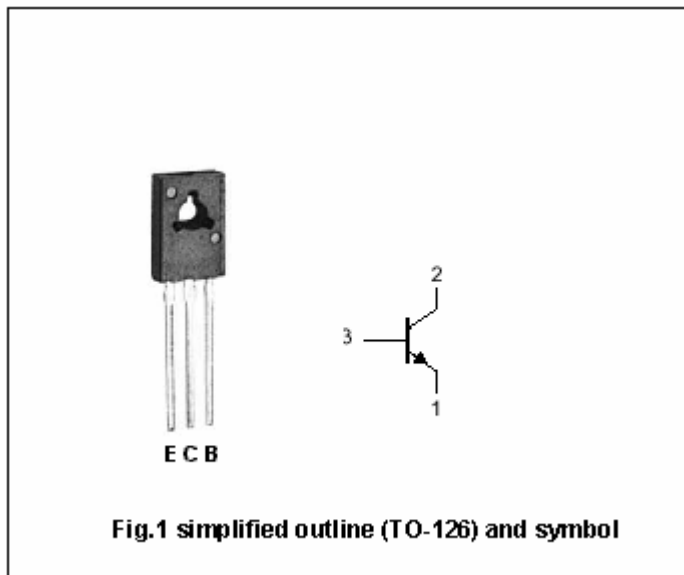
- With TO-126 package
- Complement to type BD176/178 /180

**APPLICATIONS**

- For medium power linear and switching applications

**PINNING**

PIN	DESCRIPTION
1	Emitter
2	Collector;connected to mounting base
3	Base



**Absolute maximum ratings (Ta=25°C)**

SYMBOL	PARAMETER	CONDITIONS	VALUE	UNIT
V <sub>CB0</sub>	Collector-base voltage	BD175	45	V
		BD177	60	
		BD179	80	
V <sub>CEO</sub>	Collector-emitter voltage	BD175	45	V
		BD177	60	
		BD179	80	
V <sub>EBO</sub>	Emitter -base voltage	Open collector	5	V
I <sub>C</sub>	Collector current (DC)		3	A
I <sub>CM</sub>	Collector current-Peak		7	A
P <sub>C</sub>	Collector power dissipation	T <sub>C</sub> =25°C	30	W
T <sub>j</sub>	Junction temperature		150	°C
T <sub>stg</sub>	Storage temperature		-65~150	°C

## Silicon NPN Power Transistors

## BD175 BD177 BD179

## CHARACTERISTICS

T<sub>j</sub>=25°C unless otherwise specified

www.datasheet4u.com

SYMBOL	PARAMETER	CONDITIONS	MIN	TYP.	MAX	UNIT	
V <sub>CEsat</sub>	Collector-emitter saturation voltage	I <sub>C</sub> =1A; I <sub>B</sub> =0.1A			0.8	V	
V <sub>BE</sub>	Base-emitter on voltage	I <sub>C</sub> =1A; V <sub>CE</sub> =2V			1.3	V	
V <sub>CEO(SUS)</sub>	Collector-emitter sustaining voltage	BD175	I <sub>C</sub> =0.1A; I <sub>B</sub> =0			V	
		BD177					45
		BD179					60
I <sub>CBO</sub>	Collector cut-off current	BD175	V <sub>CB</sub> =45V; I <sub>E</sub> =0			μA	
		BD177					V <sub>CB</sub> =60V; I <sub>E</sub> =0
		BD179					V <sub>CB</sub> =80V; I <sub>E</sub> =0
I <sub>EBO</sub>	Emitter cut-off current	V <sub>EB</sub> =5V; I <sub>C</sub> =0			1	mA	
h <sub>FE-1</sub>	DC current gain	I <sub>C</sub> =150mA; V <sub>CE</sub> =2V	40		250		
h <sub>FE-2</sub>	DC current gain	I <sub>C</sub> =1A; V <sub>CE</sub> =2V	15				
f <sub>T</sub>	Transition frequency	I <sub>C</sub> =250mA; V <sub>CE</sub> =10V	3			MHz	

◆ h<sub>FE-1</sub> Classifications

6	10	16
40-100	63-160	100-250

□ classification 16 :only BD175

Silicon NPN Power Transistors

BD175 BD177 BD179

PACKAGE OUTLINE

www.datasheet4u.com

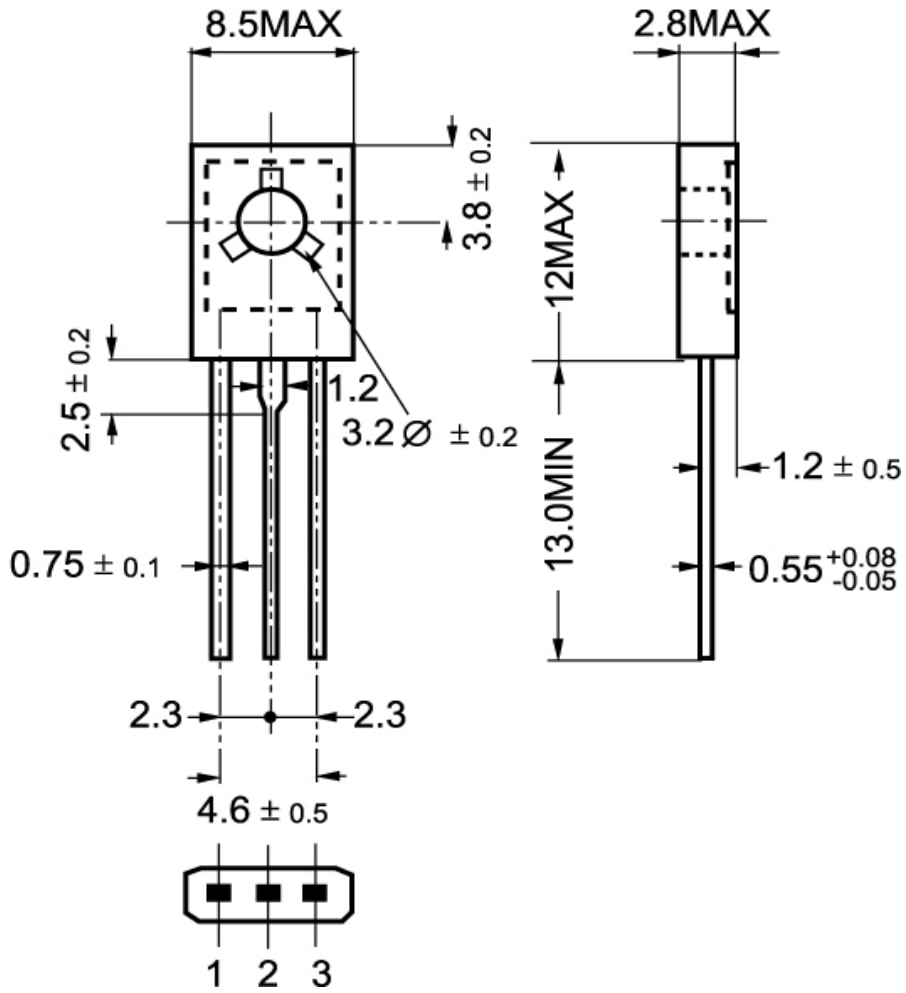


Fig.2 Outline dimensions