

3W/CH, Stereo, Filterless, Class-D Audio Power Amplifier

www.datasheet4u.com **General Description**

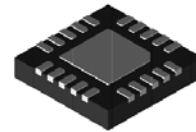
The CP2212 is a high efficiency, stereo, filterless, Class D audio power amplifier designed for demanding audio applications. It is capable of delivering 3W/CH of continuous average power to a 4Ω BTL load with less than 10% distortion (THD+N) from a 5V battery voltage. It operates from 2.5V to 5.5V.

Features like 90% efficiency, -80dB PSRR at 217Hz, improved RF-rectification immunity, the space-saving CSP16 and QFN20 packages, the advanced pop & click circuitry, a minimal count of external components and low-power shutdown mode make the CP2212 ideal for wireless handsets.

The CP2212 features independent shutdown controls for each channel. The gain can be selected to 6, 12, 18, or 24 dB utilizing the G0 and G1 gain select pins.



CSP16 Package
1.95mm x 1.95mm
-40°C ~ 85°C



QFN20 Package
4mm x 4mm
-40°C ~ 85°C

Features

- Optimized PWM eliminates output Filter
- Efficiency with an 8Ω speaker at 400mW 90%
- Power output at 5.0V, 1%THD, 8 Ω 1.36W/CH
- Power output at 5.0V, 10%THD, 4 Ω 3W/CH
- Wide single supply voltage: 2.5V to 5.5V
- Independent shutdown control for each channel
- Selectable gain of 6, 12, 18, and 24 dB
- Quiescent current 4.5mA
- Shutdown current 0.1μA
- Improved PSRR -80dB
- Internally generated 300kHz switching frequency
- Fully differential design reduces RF rectification
- Integrated click-and-pop suppression circuitry
- Short circuit and thermal protection
- Available in space-saving packages: CSP16 & QFN20
- RoHS compliant and 100% lead(Pb)-free

Applications

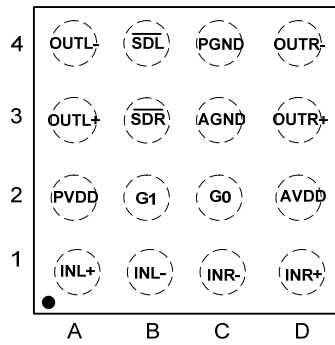
- Wireless handsets
- Portable audio devices
- PDAs
- Notebook computers

3W/CH, Stereo, Filterless, Class-D Audio Power Amplifier

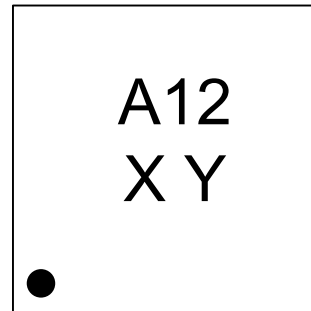
www.datasheet4u.com

Pin Configurations

**CSP16 Package
(Top View)**

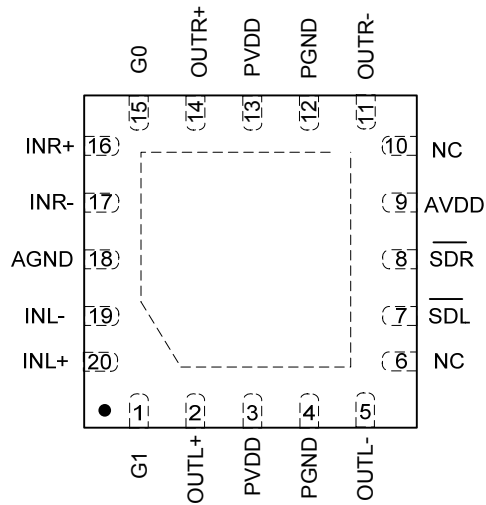


CSP16 Marking

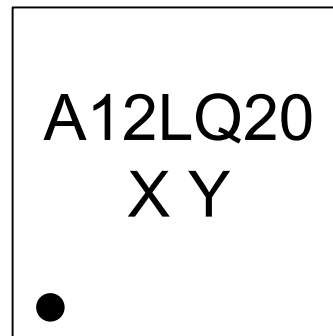


A12 - CP2212ITLX
XY - Manufacture Date Code

**QFN20 Package
(Top View)**



QFN20 Marking

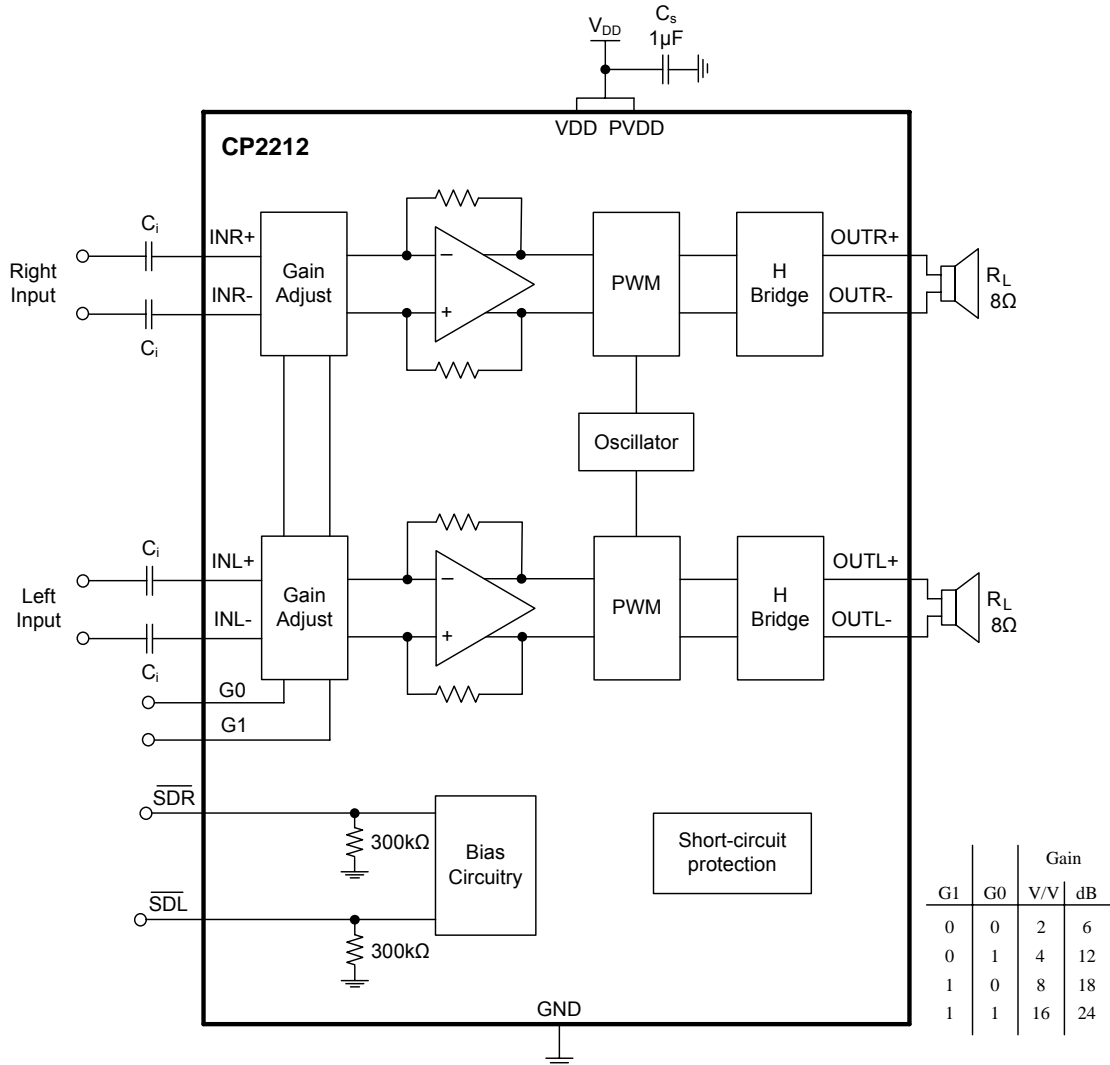


A12LQ20 - CP2212LQ20
XY - Manufacture Date Code

3W/CH, Stereo, Filterless, Class-D Audio Power Amplifier

Typical Application

www.datasheet4u.com



Contact with Chiphomer

4F, Building D, 1618 Yishan Road Shanghai, 201103, P.R.C.

Tel: (86)21-64014543 64058488

Fax: (86)21-64050030

Sale: sales@chiphomer.com

Technical support: support@chiphomer.com

Web site: www.chiphomer.com

Shenzhen Office:

10D, Building 2, Dushi Yangguang Garden CheGongMiao, Futian District, Shenzhen, 518048, P.R.C.

Tel: (86)755-82046706 82047789

Fax: (86)755-8204670