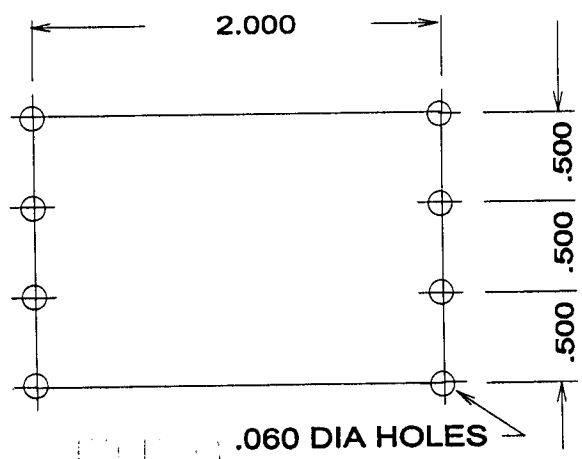
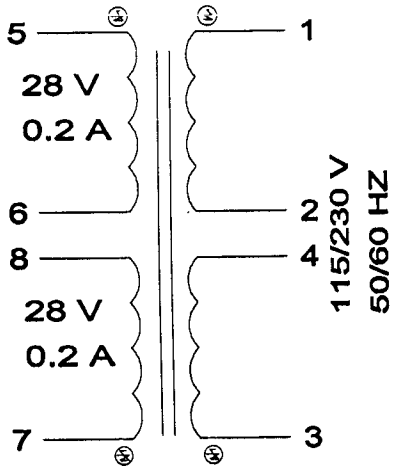
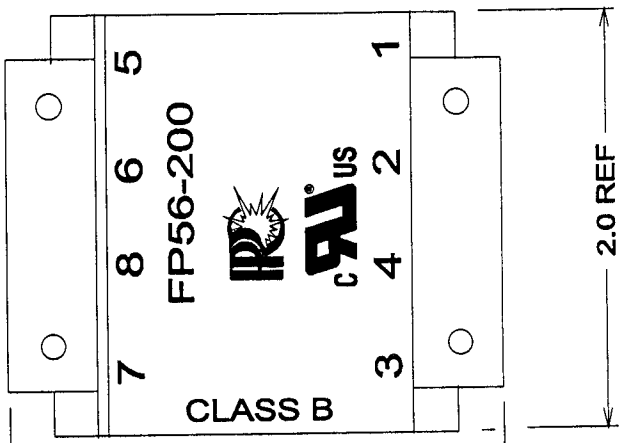
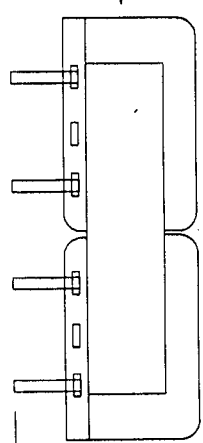


TOLERANCE UNLESS SPECIFIED = .XXX = +/- .005 .XX = +/- .015 FRACTIONS = +/- .032

PRODUCTION TESTS

FP56-200.DC2

EIA-17-YYWW
XXX
B10



TURNS RATIO = 100%	
DC RESISTANCE IN OHMS NOM	1-2 = 114 TO 140
	3-4 = 114 TO 140
	5-6 = 9.9 TO 12.1
	7-8 = 9.9 TO 12.1

MAX EXCITATION CURRENT = 22 MA
 APPLY = 230V, 60 HZ, 1-4, TIE 2+3
 EACH PRI = 114.5 TO 115.5 V
 EACH SEC = 32.6 TO 33.5 V

HIPOT = 2000V PRI'S TO SEC'S
 1500V PRI'S, SEC'S TO CORE
 500V P-P, S-S

IMPREGNATION NOTES = PREHEAT 2 HRS
 PINS TO BE FREE OF EPOXY

FINAL ASSEMBLY NOTES

METHOD 1 X 1

MARKING PRINTED WRAPPER
 DATE CODE ON LABEL AS SHOWN ABOVE.

 PART NO.: FP56-200