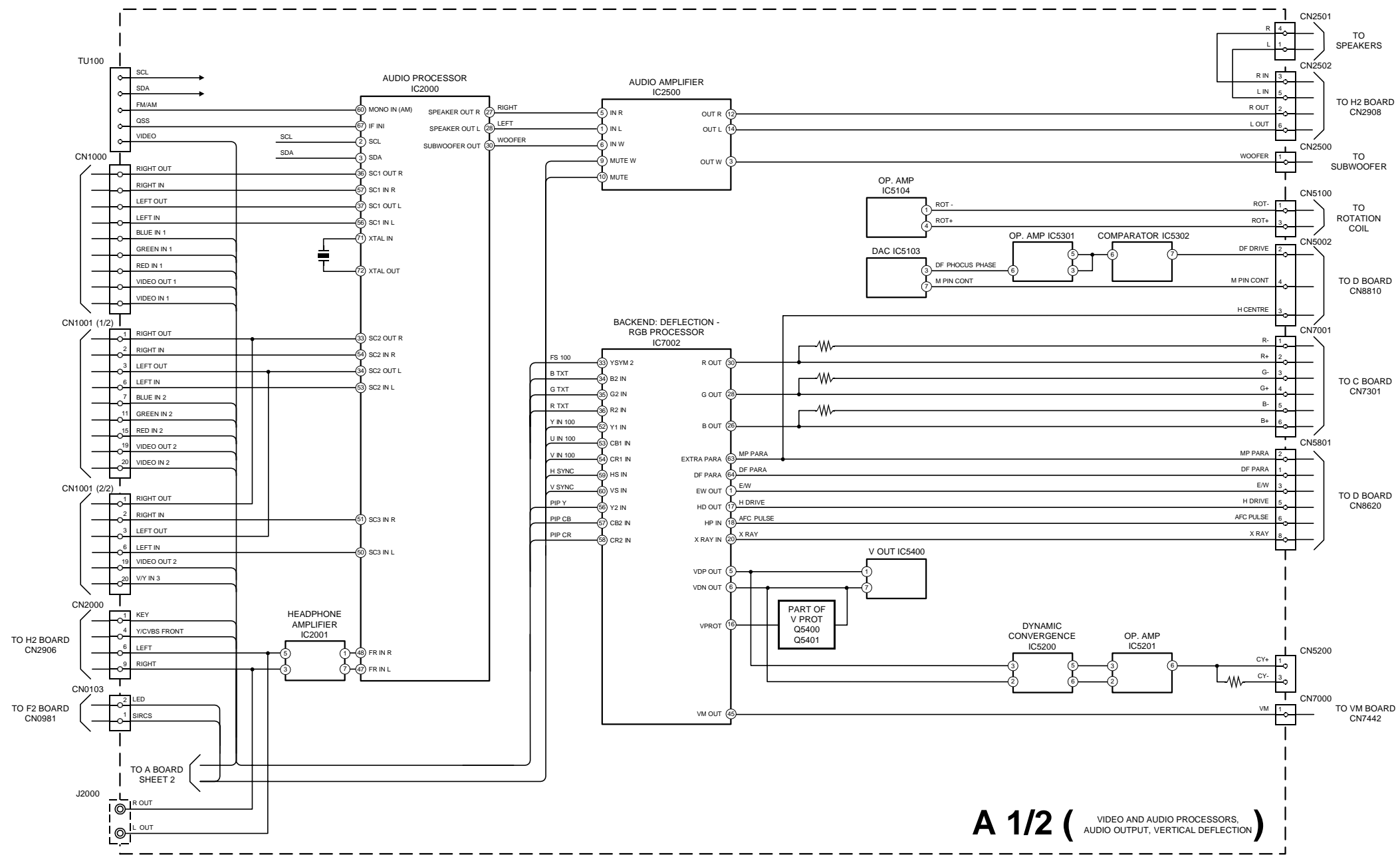
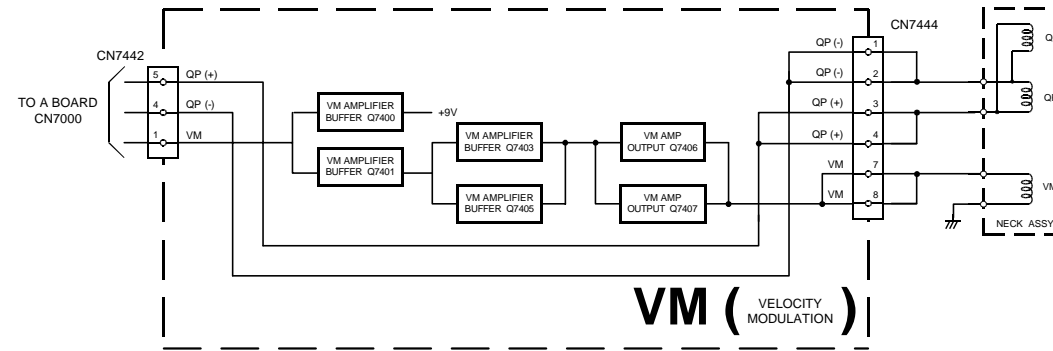
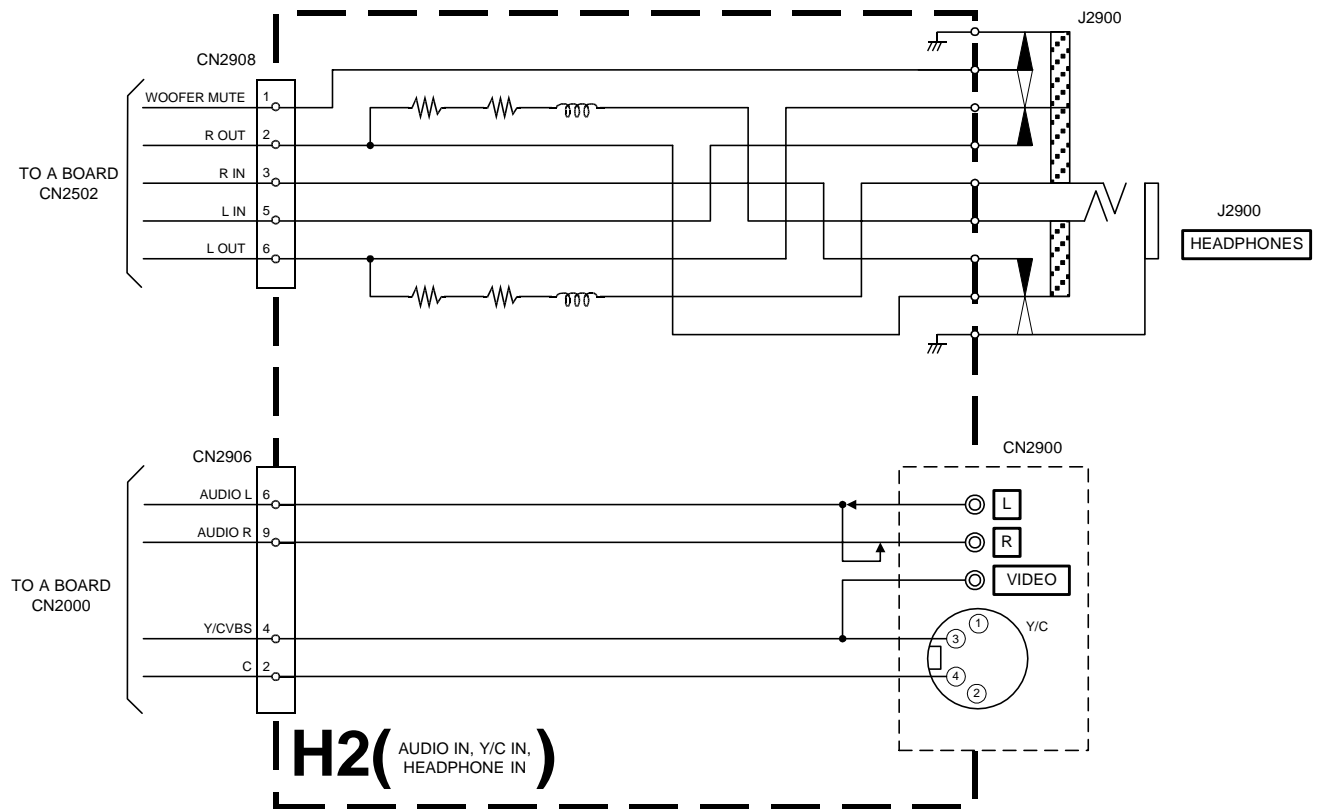
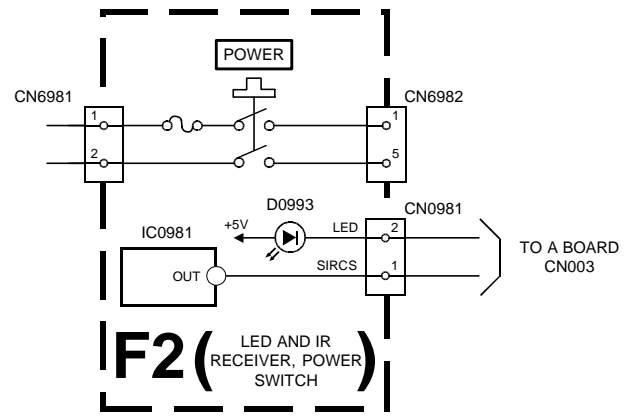
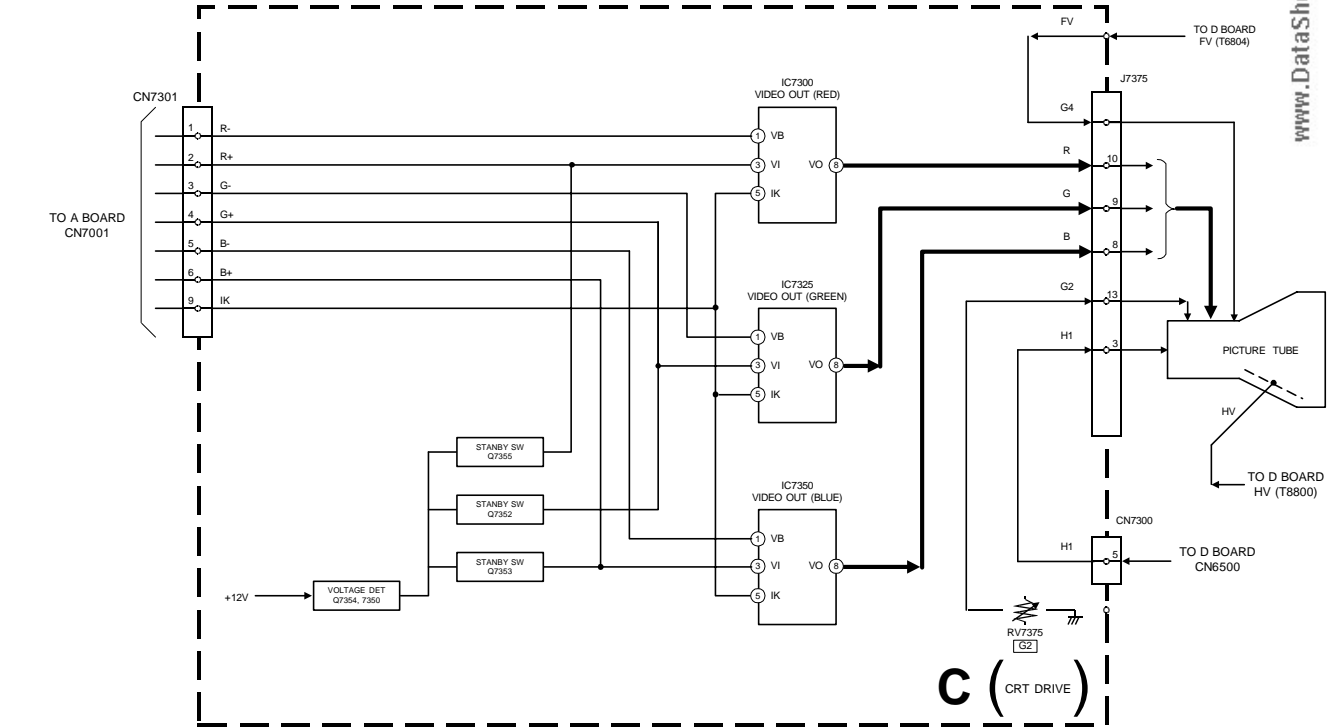
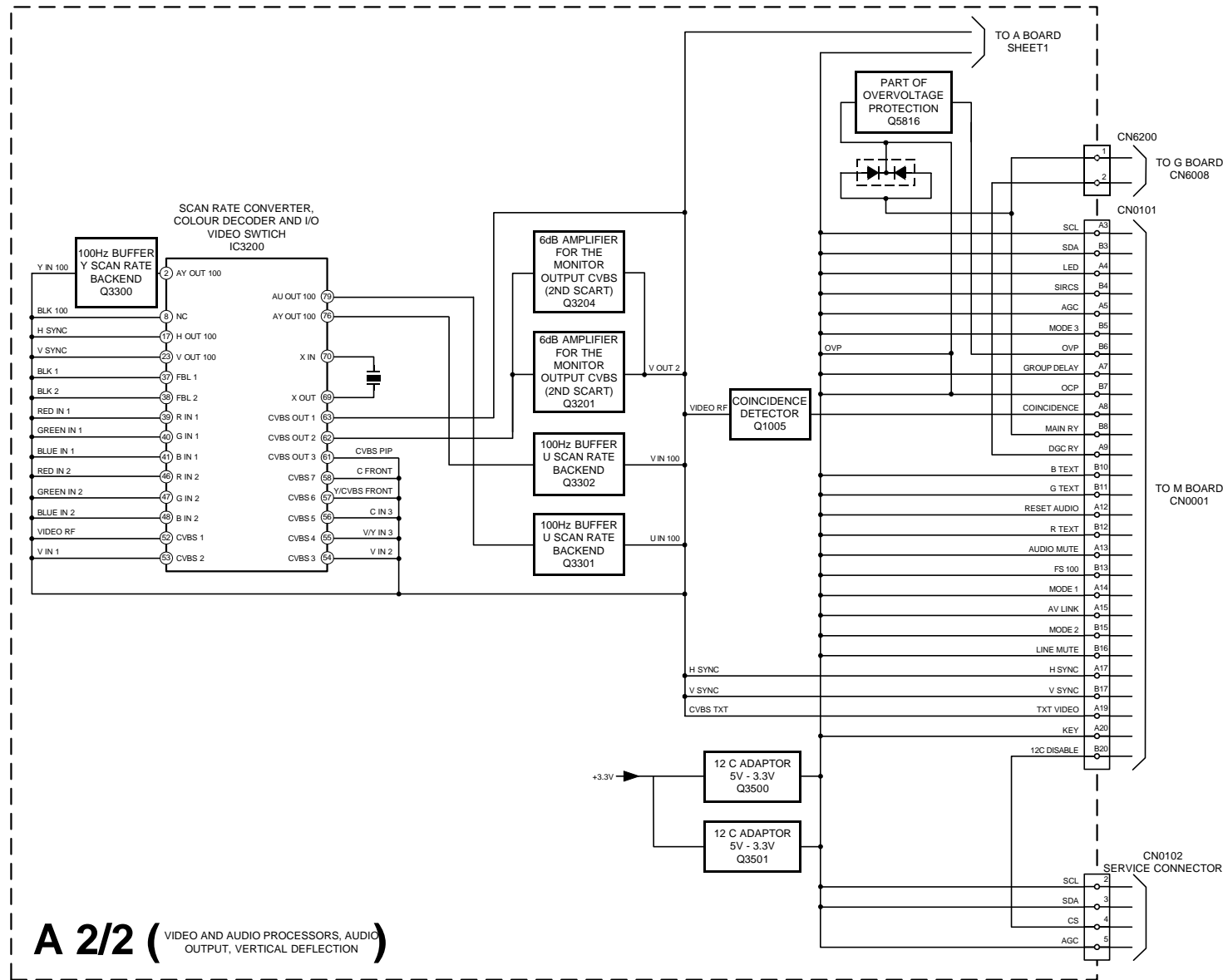


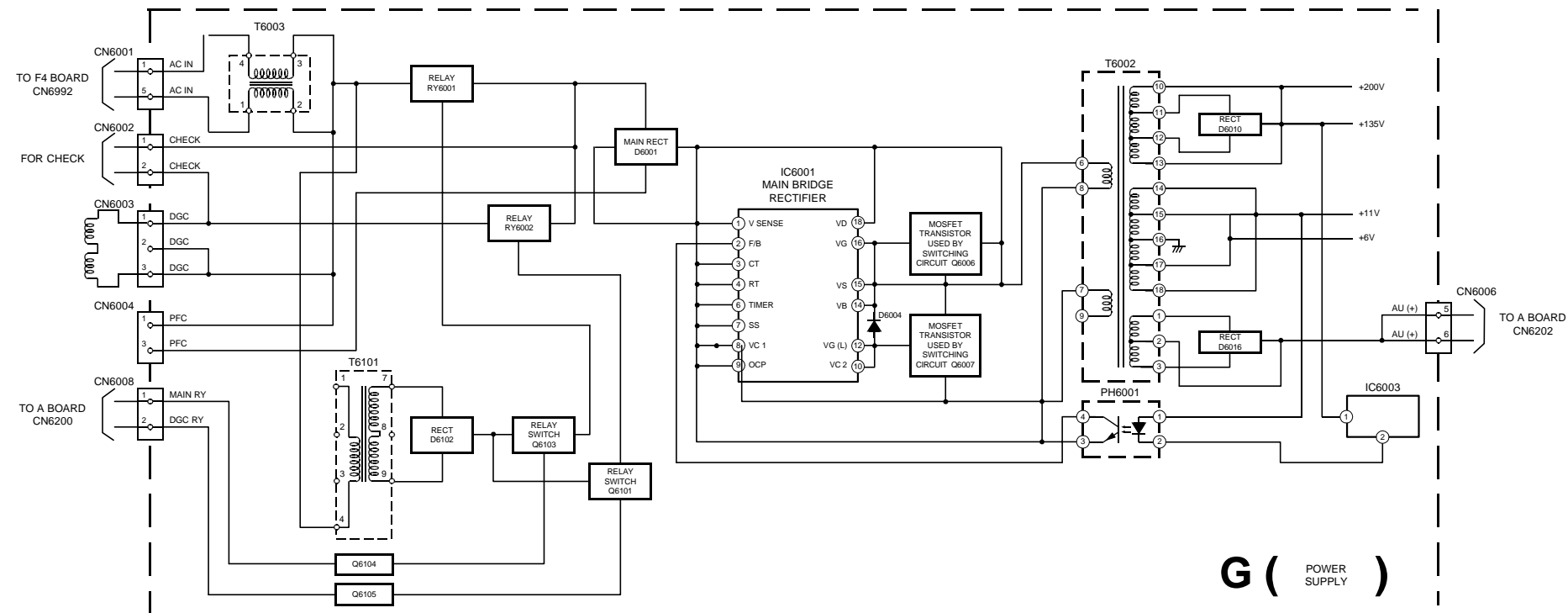
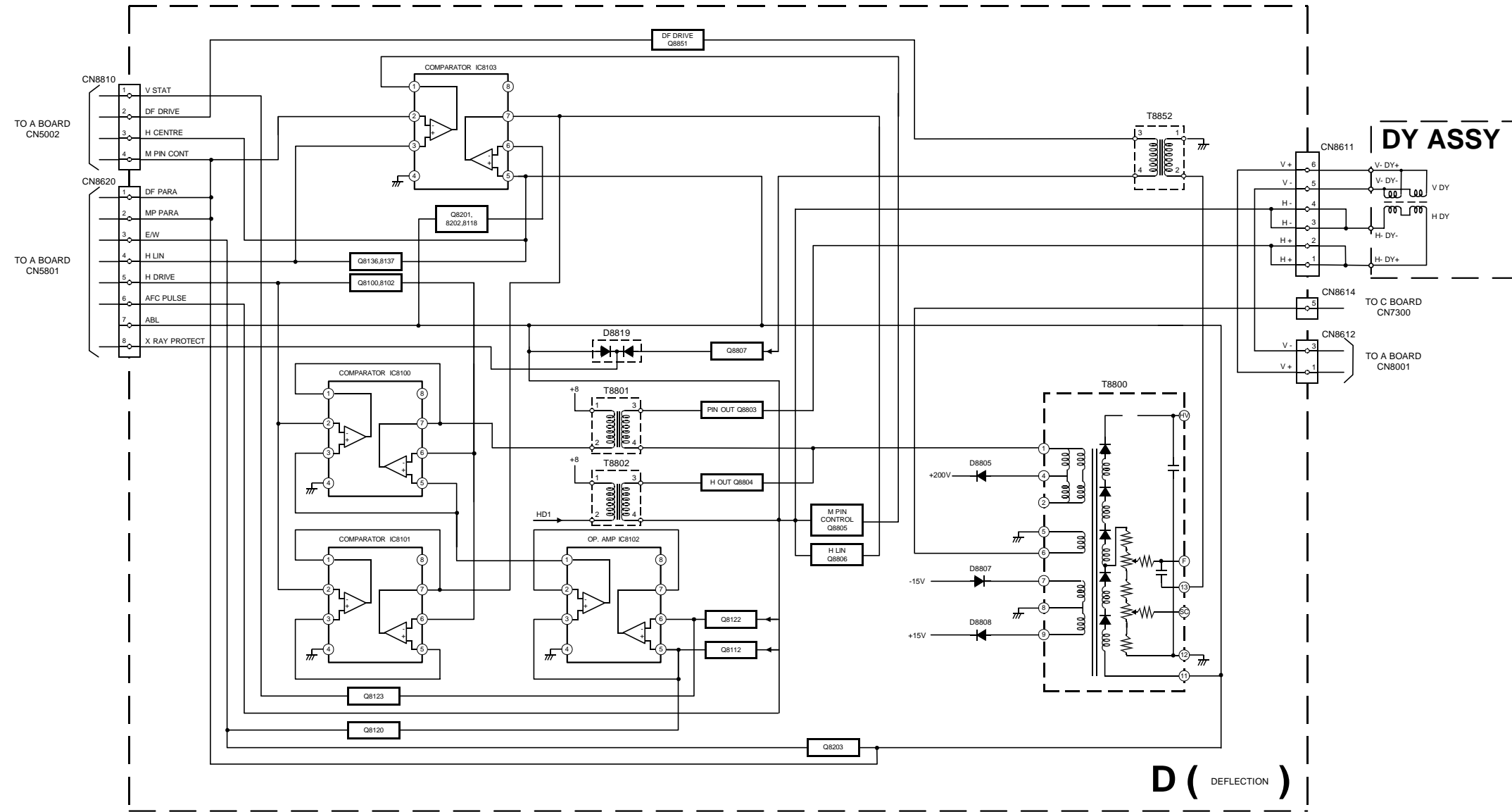
5-1. BLOCK DIAGRAMS (1)



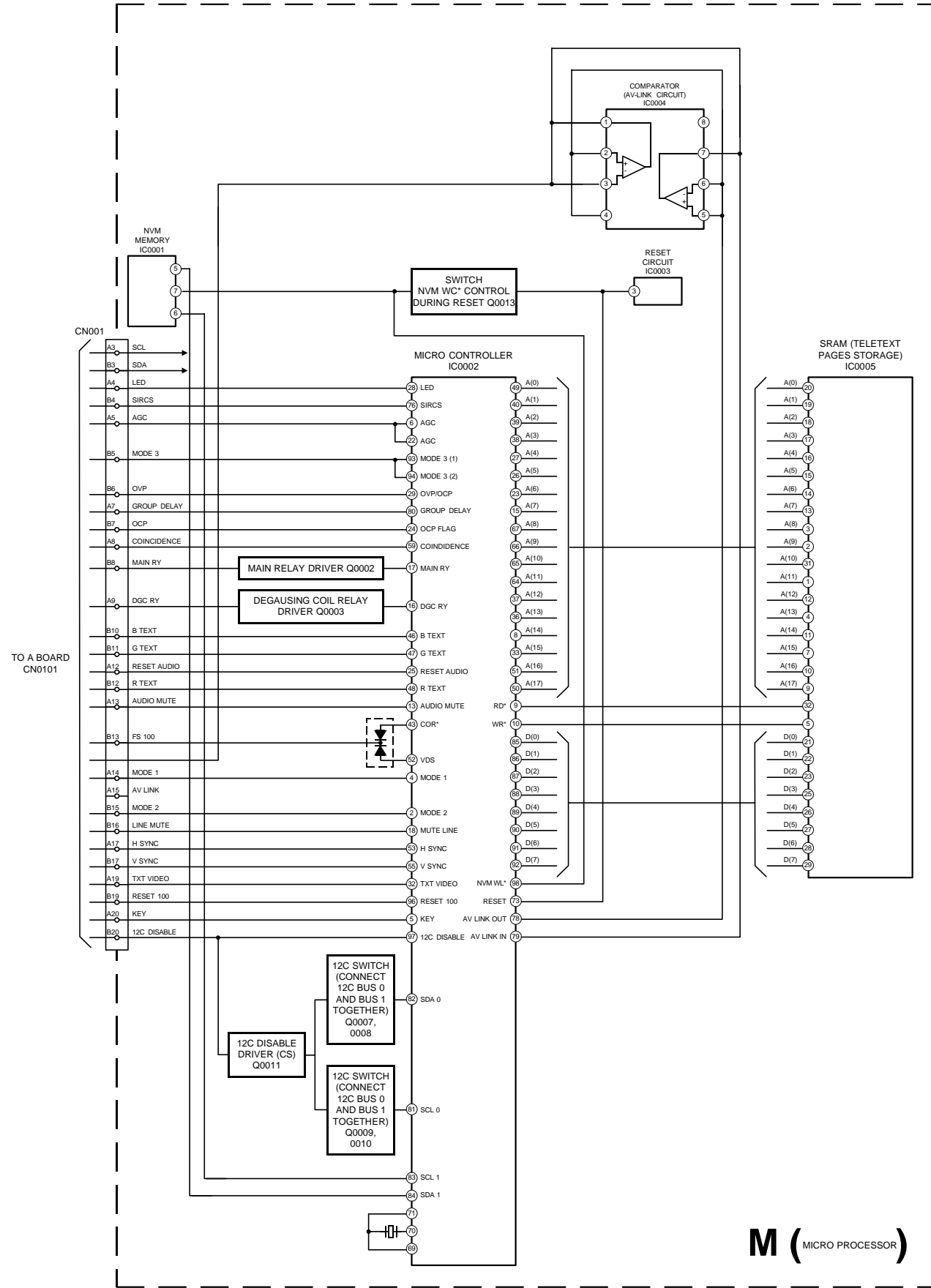
5-1. BLOCK DIAGRAMS (2)



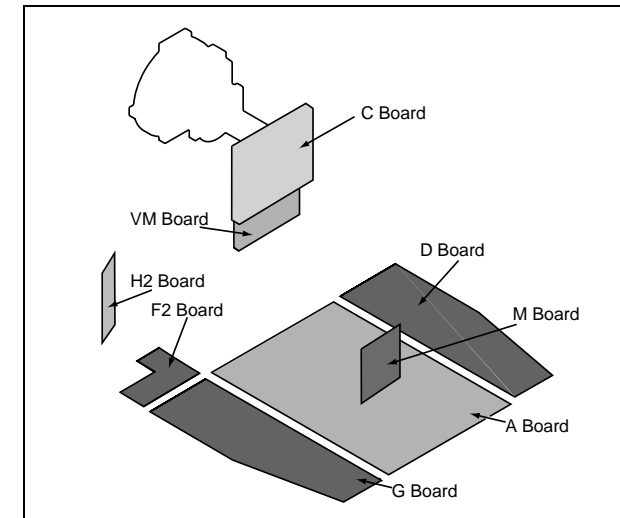
5-1. BLOCK DIAGRAMS (3)



5-1. BLOCK DIAGRAMS (4)



5-2. CIRCUIT BOARD LOCATION



5-3. SCHEMATIC DIAGRAMS AND PRINTED WIRING BOARDS

Note :

- All capacitors are in μF unless otherwise noted.
- pF : μF 50WV or less are not indicated except for electrolytic types.
- Indication of resistance, which does not have one for rating electrical power, is as follows.

Pitch : 5mm
Electrical power rating : 1/4W

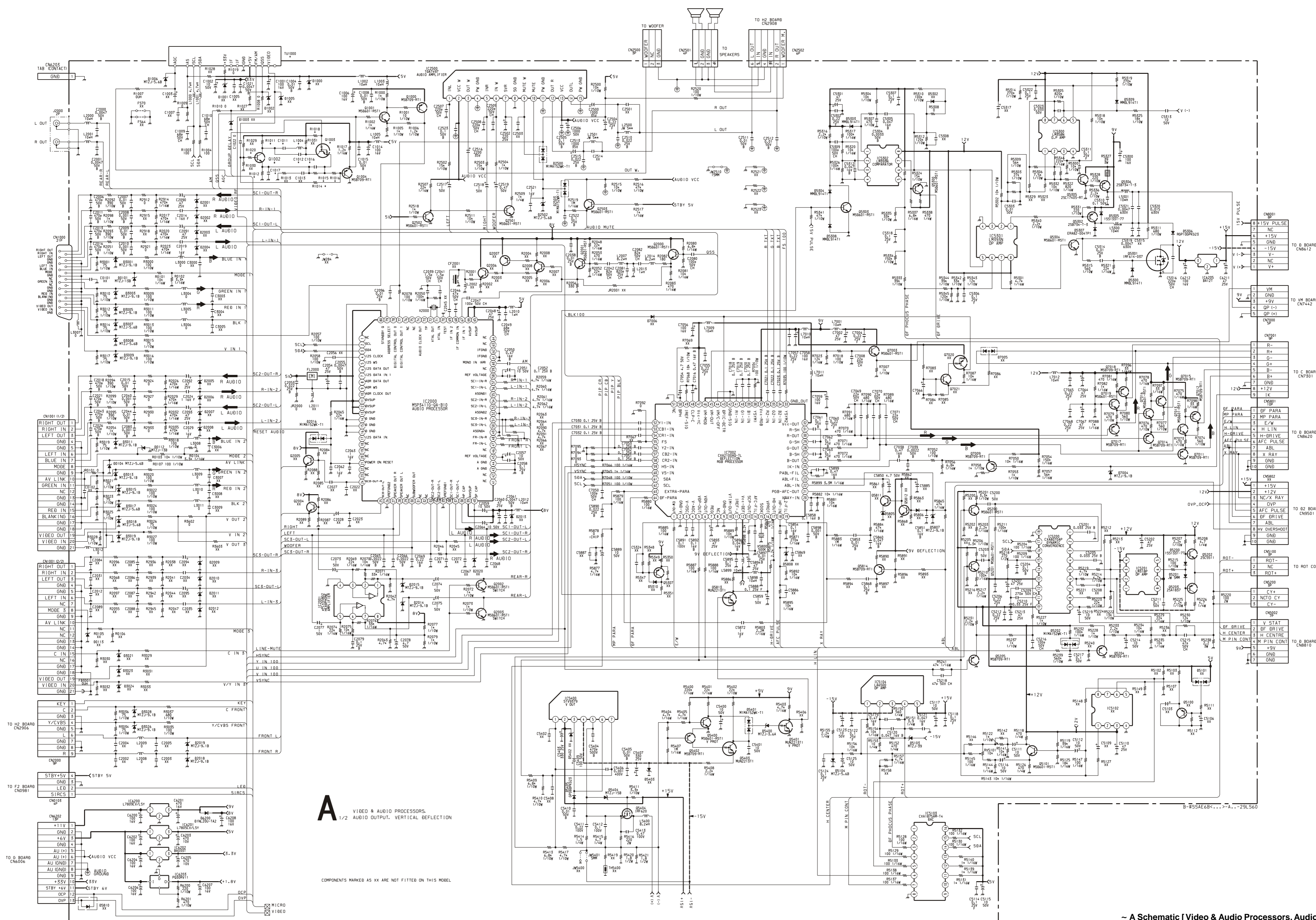
- Chip resistors are 1/10W
- All resistors are in ohms.
 $k = 1000$ ohms, $M = 1000,000$ ohms
- : nonflammable resistor.
- : fusible resistor.
- : internal component.
- : panel designation or adjustment for repair.
- All variable and adjustable resistors have characteristic curve B, unless otherwise noted.
- All voltages are in Volts.
- Readings are taken with a 10Mohm digital mutimeter.
- Readings are taken with a color bar input signal.
- Voltage variations may be noted due to normal production tolerances.
- : B + bus.
- : B - bus.
- : RF signal path.
- : earth - ground.
- : earth - chassis.

Reference Information

RESISTOR	RN	: METAL FILM
	RC	: SOLID
	FPRD	: NON FLAMMABLE CARBON
	FUSE	: NON FLAMMABLE FUSIBLE
	RS	: NON FLAMMABLE METAL OXIDE
	RB	: NON FLAMMABLE CEMENT
	RW	: NON FLAMMABLE WIREWOUND
		: ADJUSTMENT RESISTOR
COIL	LF-8L	: MICRO INDUCTOR
CAPACITOR	TA	: TANTALUM
	PS	: STYROL
	PP	: POLYPROPYLENE
	PT	: MYLAR
	MPS	: METALIZED POLYESTER
	MPP	: METALIZED POLYPROPYLENE
	ALB	: BIPOLAR
	ALT	: HIGH TEMPERATURE
	ALR	: HIGH RIPPLE

Note : The components identified by shading and marked Δ are critical for safety. Replace only with the part numbers specified in the parts list.

Note : Les composants identifiés par une trame et par une marque Δ sont d'une importance critique pour la sécurité. Ne les remplacer que par des pièces de numéro spécifié.



A VIDEO & AUDIO PROCESSORS.
1/2 AUDIO OUTPUT. VERTICAL DEFLECTION

COMPONENTS MARKED AS XX ARE NOT FITTED ON THIS MODEL

~ A Schematic [Video & Audio Processors, Audio Output, Vertical Deflection] page 1/2 ~

A B C D E F G H I J K L M N

1

2

3

4

5

6

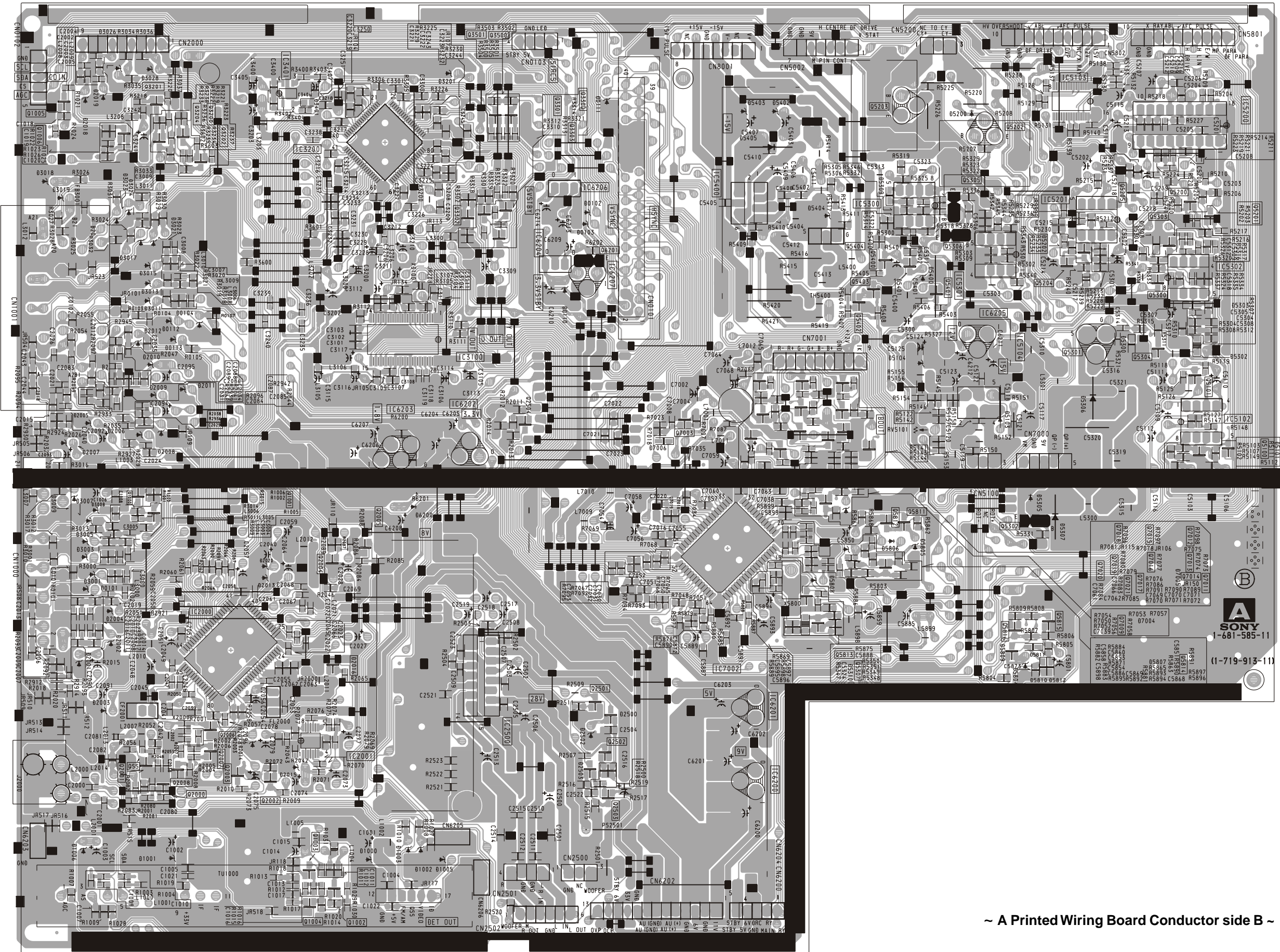
7

8

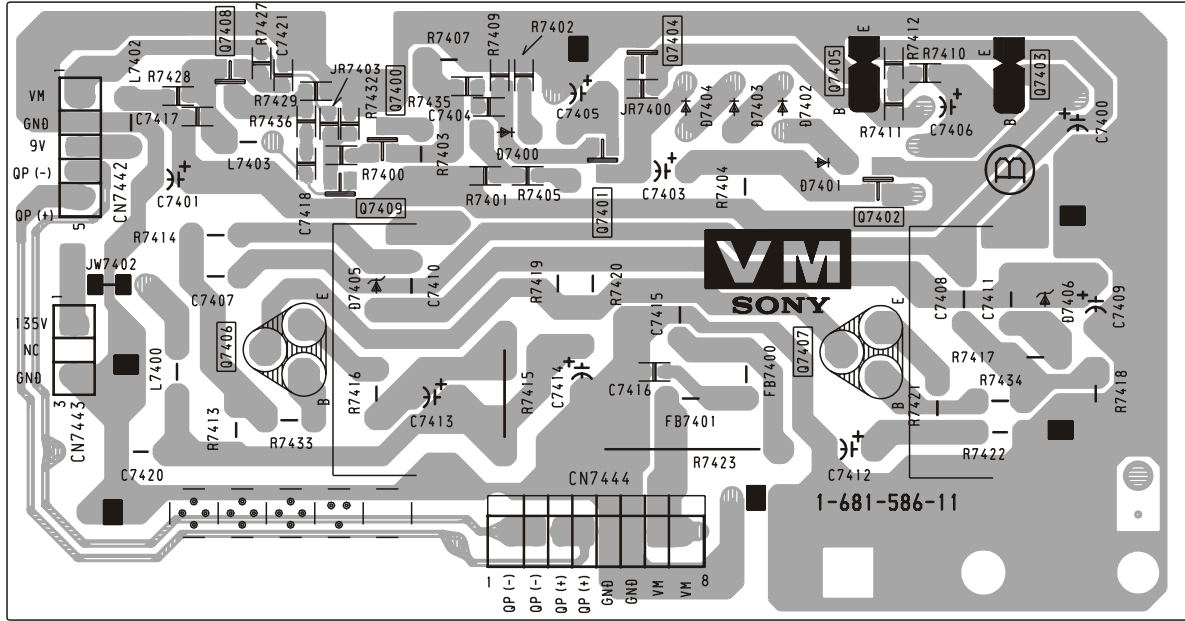
9

10

11

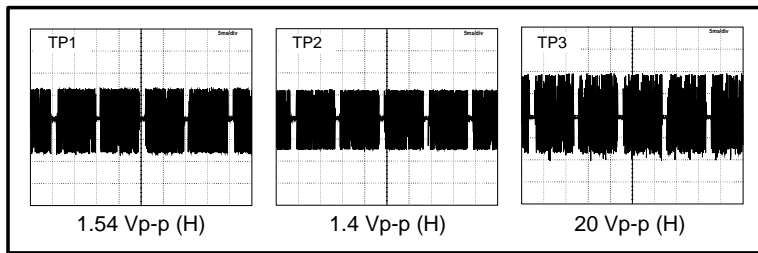


~ A Printed Wiring Board Conductor side B ~



~ VM Board Waveforms ~

~ VM Board Voltage Table ~



Ref	(e)(s)	(b)(g)	(c)(d)
Q7400	5.0	5.7	8.7
Q7401	0.9	1.5	4.1
Q7402	5.5	6.1	8.9
Q7403	5.1	5.5	8.9
Q7404	4.7	4.1	0
Q7405	5.1	4.7	0
Q7406	134	133.8	68
Q7407	1.1	1.4	68
Q7408	6.3	5.6	2.5
Q7409	5.7	6.3	0.9

~ A Board Location Table (A Side) ~

DIODE	D2014	K - 9	D3005	M - 7	D3017	M - 4	D3028	M - 2	D5306	C - 5	D7004	F - 7	IC5301	D - 4	IC6206	H - 3	
D0101	M - 7	D2015	K - 9	D3007	M - 7	D3018	N - 3	D3201	J - 2	D5307	C - 6	D5809	K - 8	IC5302	B - 4	IC6207	H - 4
D0104	L - 4	D2018	M - 2	D3008	M - 7	D3019	N - 3	D5103	D - 6	D5400	E - 4	IC		IC5400	G - 4	TRANSISTOR	
D0110	I - 4	D2019	M - 2	D3009	N - 7	D3021	M - 4	D5104	E - 5	D5404	F - 3	IC5104	D - 6	IC6201	G - 10	Q5202	E - 2
D0111	H - 2	D2502	H - 9	D3011	M - 4	D3023	M - 4	D5200	D - 2	D5405	F - 3	IC5200	B - 3	IC6202	I - 6	Q5301	C - 5
D0112	M - 4	D3001	M - 7	D3013	M - 4	D3024	M - 4	D5201	E - 2	D5807	F - 7	IC5201	C - 4	IC6203	J - 6	Q5306	E - 4
D0113	M - 5	D3003	M - 7	D3015	M - 4	D3026	M - 2	D5305	D - 6	D6200	J - 6	IC5300	E - 4	IC6205	D - 5	Q5404	F - 4
D1006	M - 10																

~ A Board Location Table (B Side) ~

DIODE	D2503	G - 9	D3024	B - 3	D5309	J - 3	IC5103	L - 3	TRANSISTOR		Q3201	C - 2	Q5300	M - 4	Q7003	H - 6	
D0101	B - 7	D3001	B - 7	D3026	B - 2	D5400	K - 4	IC5104	K - 6	Q1000	C - 6	Q3202	C - 3	Q5301	L - 5	Q7009	K - 6
D0104	C - 5	D3003	B - 7	D3028	C - 2	D5401	J - 4	IC5200	M - 3	Q1001	D - 6	Q3204	C - 3	Q5302	K - 7	Q7011	J - 6
D0110	G - 4	D3005	B - 7	D3201	F - 2	D5404	J - 3	IC5201	L - 4	Q1004	D - 10	Q3300	F - 3	Q5303	M - 4	Q7012	J - 5
D0111	G - 2	D3007	B - 6	D5103	L - 6	D5405	I - 3	IC5300	J - 3	Q1005	B - 2	Q3301	F - 3	Q5304	M - 5	Q7013	J - 6
D0112	C - 5	D3008	B - 6	D5104	J - 5	D5809	K - 8	IC5301	K - 4	Q1006	B - 3	Q3302	F - 3	Q5305	K - 3	Q7014	J - 6
D0113	C - 5	D3009	B - 6	D5200	K - 2	D5811	L - 8	IC5302	M - 4	Q2000	C - 9	Q3500	F - 3	Q5306	K - 4	Q7015	I - 5
D1006	B - 10	D3011	C - 4	D5202	L - 4	D5812	L - 8	IC5400	I - 3	Q2002	D - 9	Q3501	F - 3	Q5400	J - 4	Q7016	I - 5
D2014	C - 9	D3013	C - 4	D5300	L - 5	D6200	F - 7	IC6200	I - 9	Q2003	D - 9	Q5101	M - 5	Q5401	K - 4	Q7017	I - 6
D2015	D - 9	D3015	C - 4	D5303	N - 4	IC		IC6201	I - 8	Q2004	E - 7	Q5200	M - 4	Q5402	J - 5	Q7018	I - 5
D2016	E - 8	D3017	B - 4	D5304	M - 4	IC2000	C - 8	IC6202	F - 6	Q2005	E - 7	Q5201	N - 3	Q5403	J - 4	Q7019	I - 5
D2018	B - 2	D3018	B - 3	D5305	L - 6	IC2001	D - 9	IC6203	E - 6	Q2501	G - 8	Q5202	K - 3	Q5404	J - 4		
D2019	B - 2	D3019	B - 3	D5306	L - 5	IC2500	F - 8	IC6205	K - 5	Q2502	G - 9	Q5203	J - 2	Q5813	J - 8		
D2500	G - 9	D3021	C - 4	D5307	L - 7	IC3100	E - 5	IC6206	G - 3	Q2503	G - 9	Q5204	L - 4	Q5815	L - 8		
D2502	G - 9	D3023	B - 3	D5308	M - 4	IC3200	E - 3	IC6207	G - 4	Q3200	C - 3	Q5205	M - 3	Q5816	L - 8		

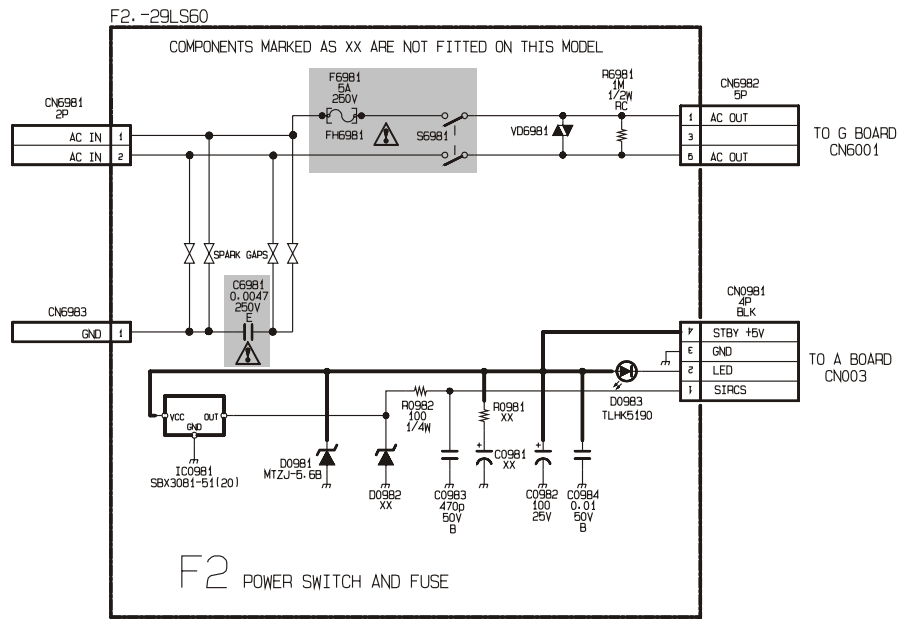
~ A Board Semiconductor Voltage Table ~

Ref	(s)	(g)	(d)	Ref	(e)	(b)	(c)	Ref	(e)	(b)	(c)	Ref	(e)	(b)	(c)	Ref	(e)	(b)	(c)	Ref	(e)	(b)	(c)
Q3500	2.7	3.3	3.9	Q2002	0	0	4	Q3204	5	4.4	3.4	Q5205	1.9	1.2	0	Q5813	0	7.9	0	Q7015	11.6	10.9	8.8
Q3501	2.7	3.3	4	Q2003	0	0	4	Q3300	0.7	1.3	5	Q5300	0	0.4	2.2	Q5814	0	0	0	Q7016	6	6.6	10.9
Q5301	0	5.1	51.2	Q2004	3.3	3.9	8.3	Q3301	1.9	1.2	0	Q5301	5.1	0	51.2	Q5815	0	0	5	Q7017	2.7	2	0
Q5404	0	0	0.5	Q2005	3.3	3.9	8.3	Q3302	1.9	1.2	0	Q5302	8.9	5.7	0	Q5816	5	5	0	Q7018	11.6	10.9	8.6
Ref	(e)	(b)	(c)	Q2501	0	0	15.2	Q3500	3.3	2.7	3.9	Q5304	0	0.4	5.6	Q7003	5.6	6.2	8.8	Q7019	6	6.6	10.9
Q1001	3.2	3.9	8.3	Q2502	0	0.7	0	Q3501	3.3	2.7	4	Q3400	0	0	0.1	Q7009	3.2	7	0.1	Q7020	8.9	8.9	0
Q1004	1.9	1.3	0	Q2503	0.6	0.6	0.5	Q5101	0	0.4	6.4	Q5401	0	0	7.9	Q7011	2.5	1.9	0	Q7021	2.7	2.7	8.9
Q1005	0	0.5	5	Q3200	1.9	2.5	4.4	Q5201	2.8	3.4	7.9	Q5402	0	0	-11.3	Q7012	11.6	10.9	8.7				
Q1006	5	4.7	1	Q3201	1.9	2.5	4.4	Q5202	0.2	0.8	11.7	Q5403	-13.5	-11.2	-8.3	Q7013	6	6.6	10.9				
Q2000	4.2	4.8	8.3	Q3202	5	4.4	3.4	Q5203	0.2	0.8	11.7	Q5404	0	0	0.5	Q7014	2.5	1.8	0				

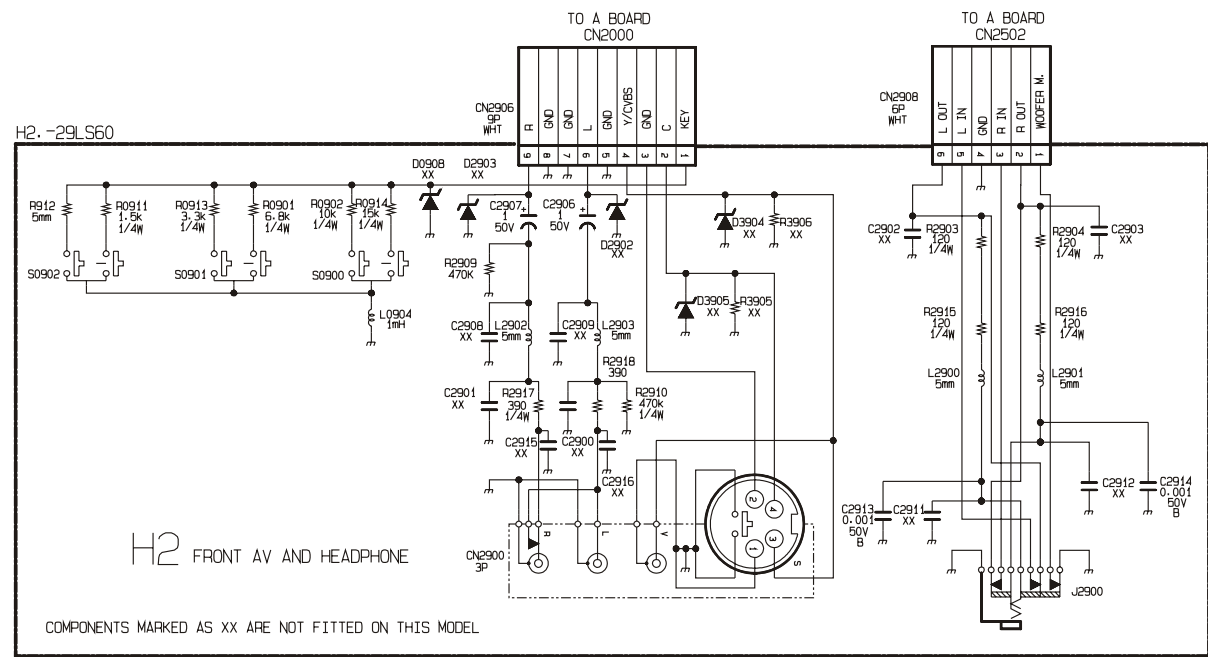
~ A Board IC Voltage Table ~

IC Voltage Table															
Ref No	Pin No	Voltage (V)	Ref No	Pin No	Voltage (V)	Ref No	Pin No	Voltage (V)	Ref No	Pin No	Voltage (V)	Ref No	Pin No	Voltage (V)	
IC3100	1	1.3	IC5103	6	1.8	IC5201	5	9.3	IC7002	6	13.7	IC7002	32	8.9	
	2	1.7		7	2		6	0.5		7	1.4		33	0	
	3	2.6		8	0		7	12.1		1	3.6		34	4.7	
	4	0		9	3.1		8	-14.1		2	0		35	4.7	
	5	2.5		10	3	1	6	3		4.4	36		4.7		
	6	3.3		11	5	2	6	4		4.8	37		8.9		
	7	0		12	5	3	6	5		3.5	38		0		
	8	0		13	5	4	0	6		3.4	39		4.8		
	9	1.1		14	0	5	6	7		7.6	40		4.8		
	10	1.1		15	0	6	6	8		0	41		4.8		
	11	0		16	5	7	6	9		0	42		0		
	12	0		1	4.8	8	12	10		0.4	43		0		
	13	0	2	4.9	1	1.7	11	1.8		44	0				
	14	0	3	4.8	2	8.5	12	0.4		45	6.3				
	15	0.5	4	4.8	3	6.5	13	0.9		46	8.9				
	16	0.3	5	5	4	0	14	5		47	8.9				
	17	0.3	6	5	5	6.5	15	2.5		48	6				
	18	0.3	7	5	6	7.1	16	0		49	2.5				
	19	3.3	8	5	7	0.4	17	3		50	4.1				
	20	0	9	4.9	8	12	18	2.7		51	0				
	21	3.3	10	12.1	1	0	19	3.9		52	6				
	22	3.3	11	4.1	2	5.8	20	0		53	5.8				
	23	0	12	5	3	6.3	21	6.1		54	5.8				
	24	3.2	13	5	4	0	22	2.7		55	0.4				
	25	1.2	14	1.9	5	6.6	23	8.8		56	5.8				
	26	3.2	15	1.1	6	6.5	24	0		57	5.8				
	27	2.1	16	0	7	0.4	25	4.3		58	5.8				
	28	0.3	17	0	8	12	26	3.2		59	0.3				
IC5103	1	3.3	IC5201	18	0	IC5301	1	1.4	27	5.2	IC5400	27	5.2	60	0
	2	3.3		1	9.3		2	13.2	28	0.3		61	0		
	3	1.9		2	3.8		3	-12.5	29	4.9		62	2.9		
	4	2.6		3	3.8		4	-15.4	30	3.4		63	3.7		
	5	2.5		4	-15.4		5	-0.4	31	5.6					

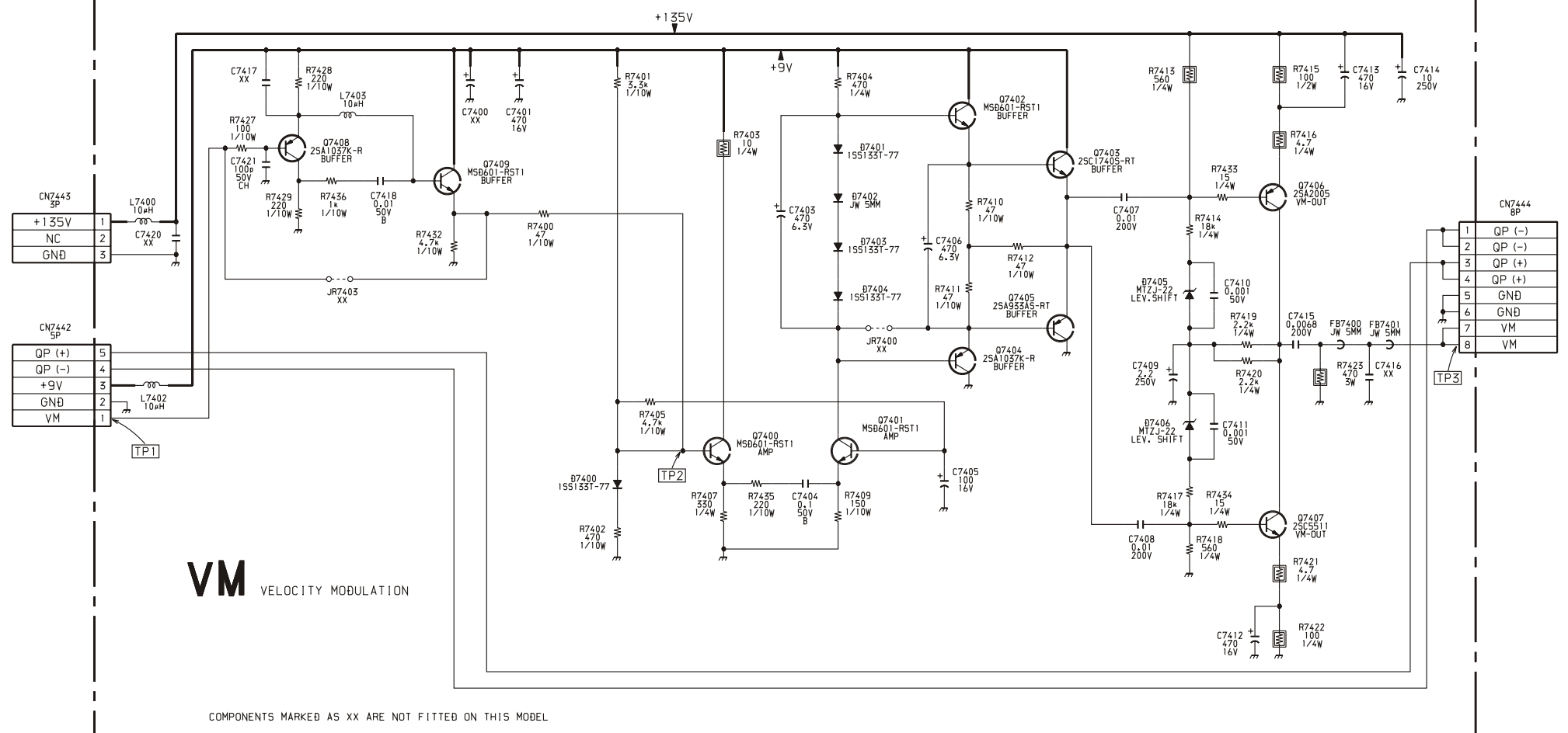
~ F2 Board Schematic Diagram [Power Switch & Fuse] ~



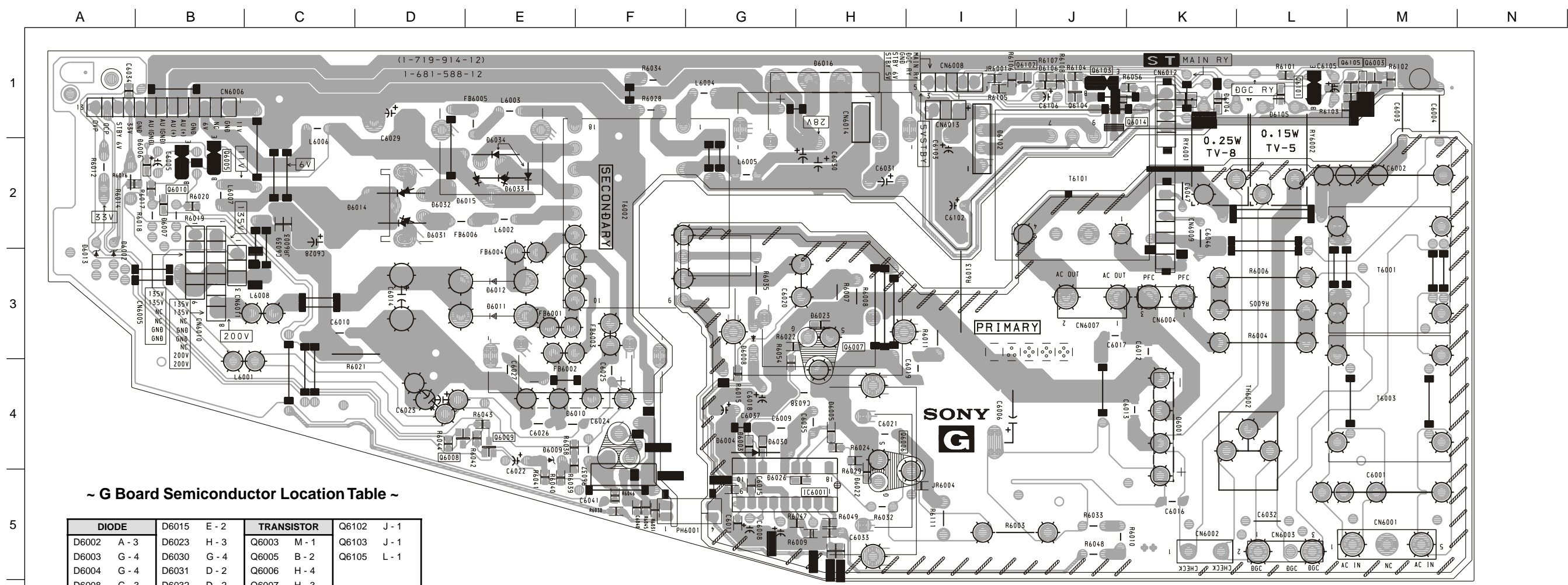
~ H2 Board Schematic Diagram [Front AV & Headphone] ~



B-#SSAE6B<...>-VM.-29LS60



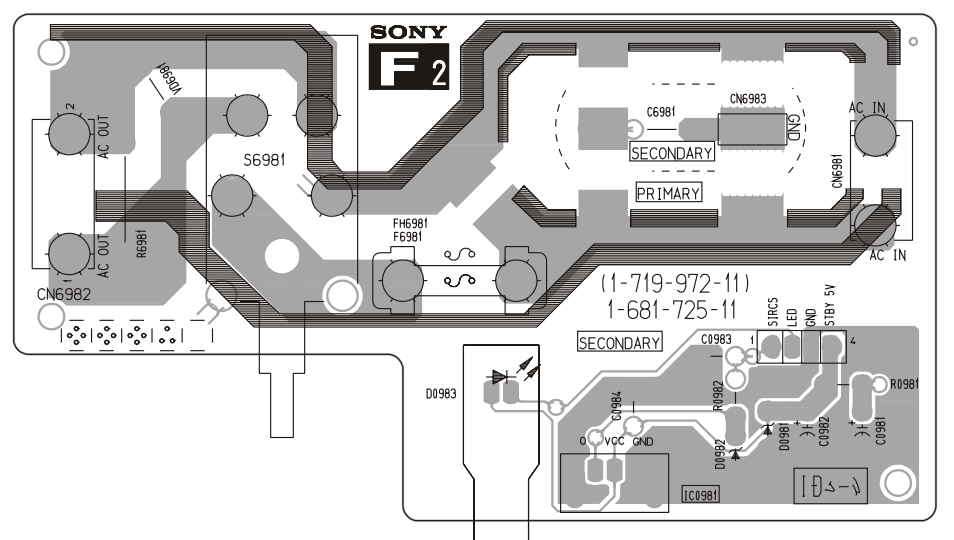
~ VM Board Schematic Diagram [Velocity Modulation] ~



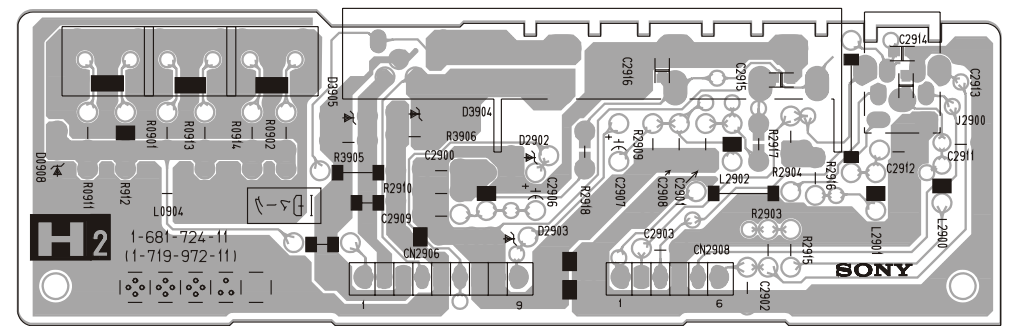
~ G Board Semiconductor Location Table ~

DIODE	D6015	E - 2	TRANSISTOR	Q6102	J - 1
D6002	A - 3	D6023	H - 3	Q6003	M - 1
D6003	G - 4	D6030	G - 4	Q6005	B - 2
D6004	G - 4	D6031	D - 2	Q6006	H - 4
D6008	G - 3	D6032	D - 2	Q6007	H - 3
D6009	E - 4	D6033	E - 2	Q6008	D - 4
D6010	E - 4	D6034	E - 2	Q6009	E - 4
D6011	E - 3	IC	Q6010	B - 2	
D6012	E - 3		IC6001	G - 5	Q6014
D6013	A - 3		Q6101	L - 1	

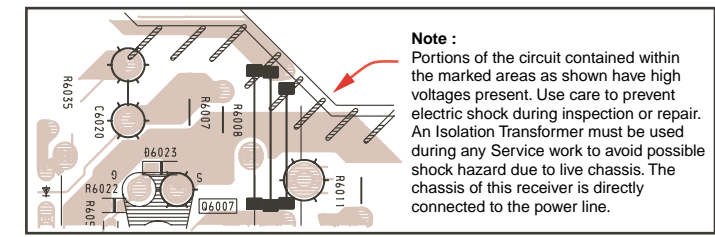
~ G Printed Wiring Board Conductor side ~



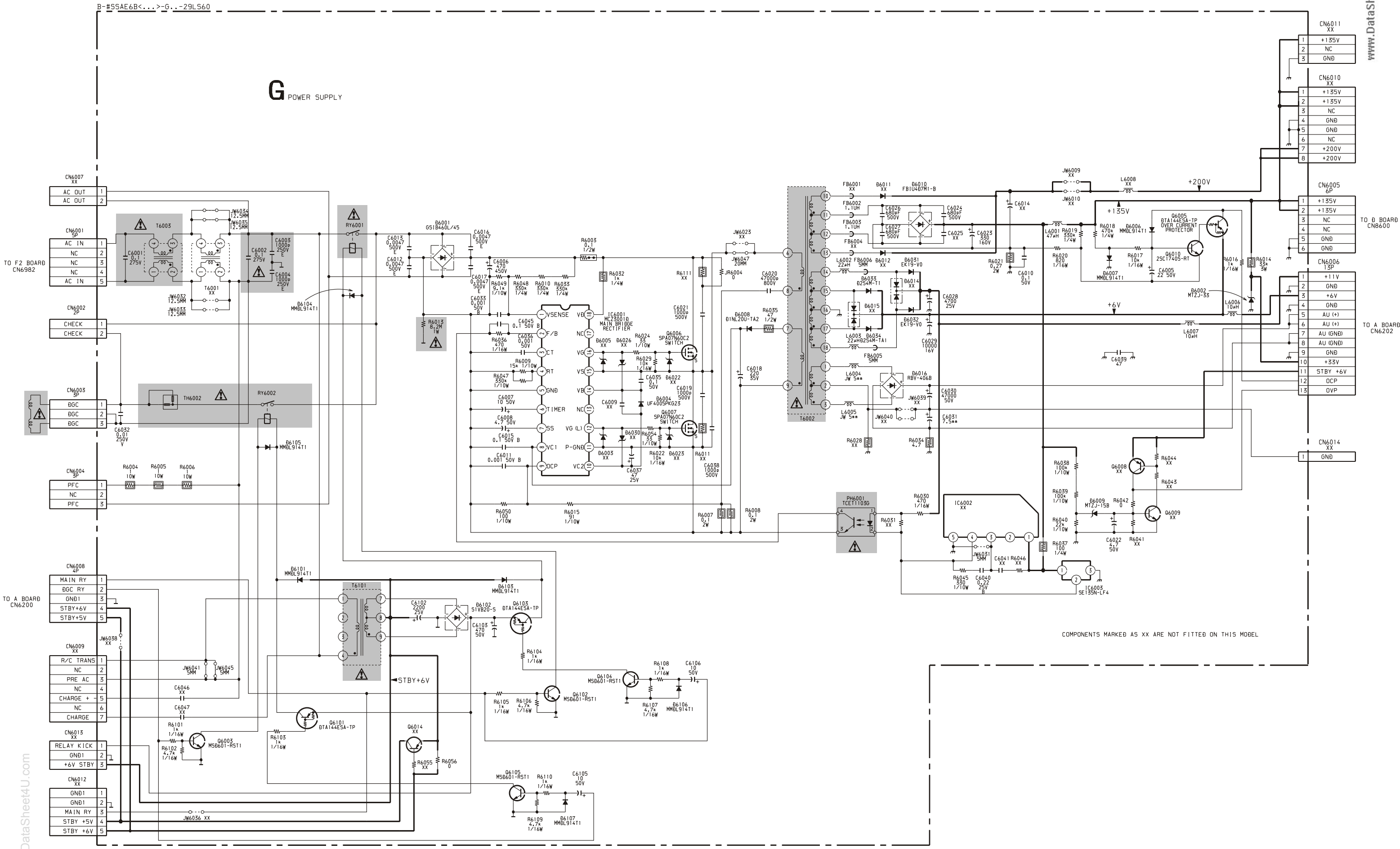
~ F2 Printed Wiring Board Conductor side ~



~ H2 Printed Wiring Board Conductor side ~



Note :
 Portions of the circuit contained within the marked areas as shown have high voltages present. Use care to prevent electric shock during inspection or repair. An Isolation Transformer must be used during any Service work to avoid possible shock hazard due to live chassis. The chassis of this receiver is directly connected to the power line.



G POWER SUPPLY

TO F2 BOARD
CN6982

TO A BOARD
CN6200

TO B BOARD
CN6600

TO A BOARD
CN6202

CN6011	XX
1	+135V
2	NC
3	GND

CN6010	XX
1	+135V
2	+135V
3	NC
4	GND
5	NC
6	+200V
7	+200V
8	+200V

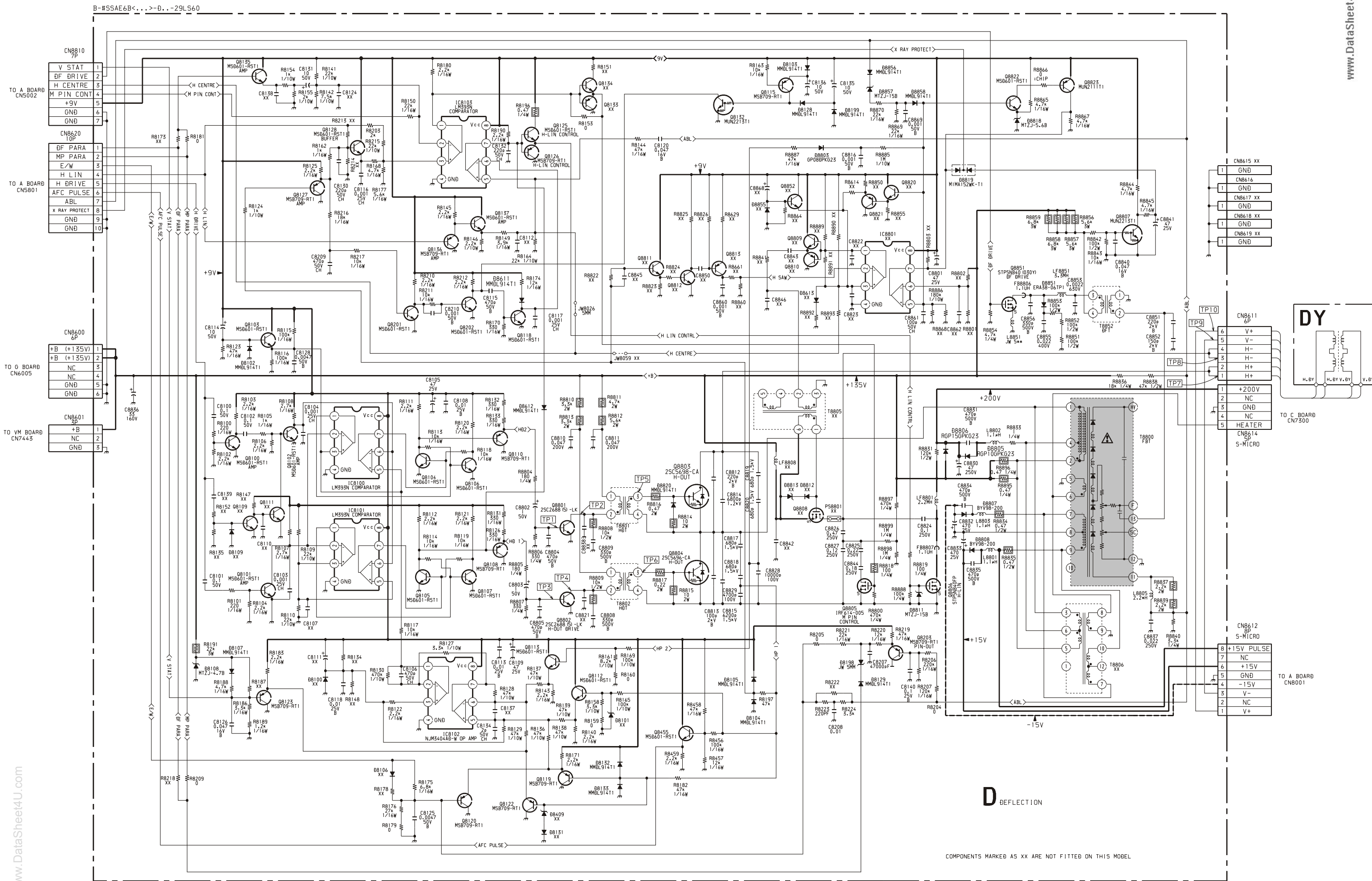
CN6005	6P
1	+135V
2	+135V
3	NC
4	NC
5	GND
6	GND

CN6006	13P
1	+11V
2	GND
3	+6V
4	GND
5	AU (+)
6	AU (+)
7	AU (GND)
8	AU (GND)
9	GND
10	+33V
11	STBY +6V
12	OCP
13	OVP

CN6014	XX
1	GND

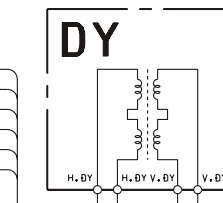
COMPONENTS MARKED AS XX ARE NOT FITTED ON THIS MODEL

~ D Board Schematic Diagram [Deflection] ~



D DEFLECTION

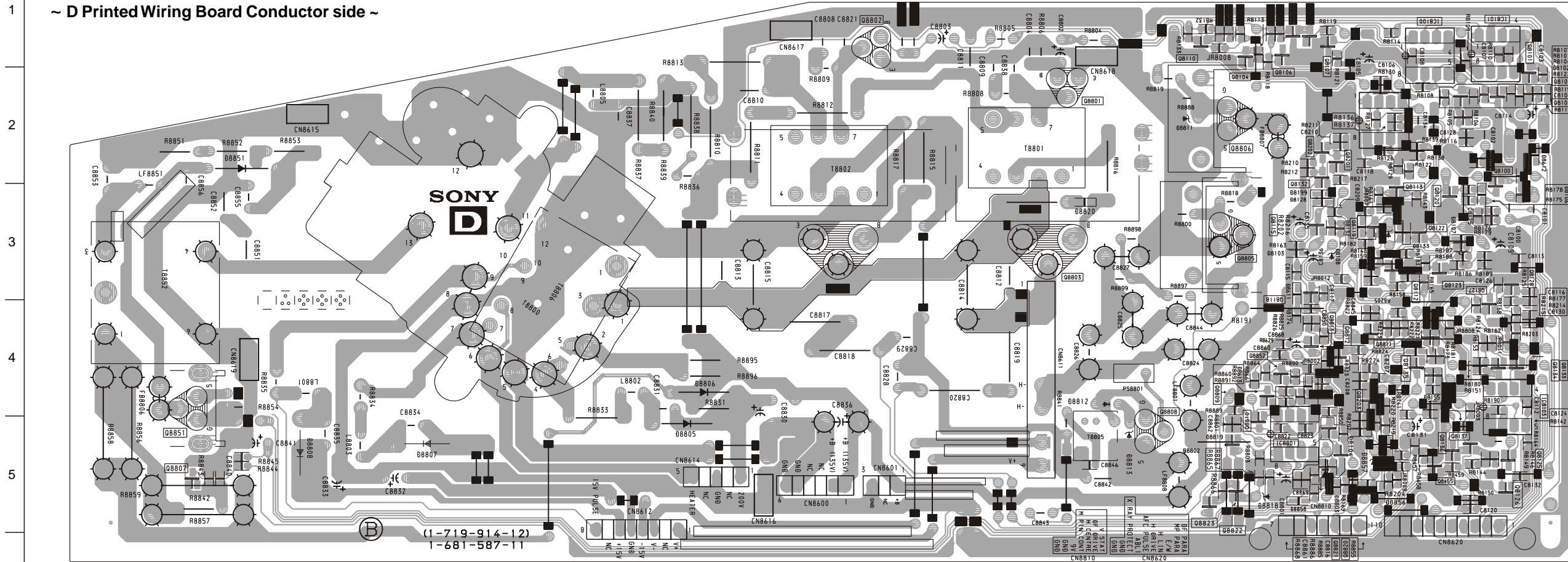
COMPONENTS MARKED AS XX ARE NOT FITTED ON THIS MODEL



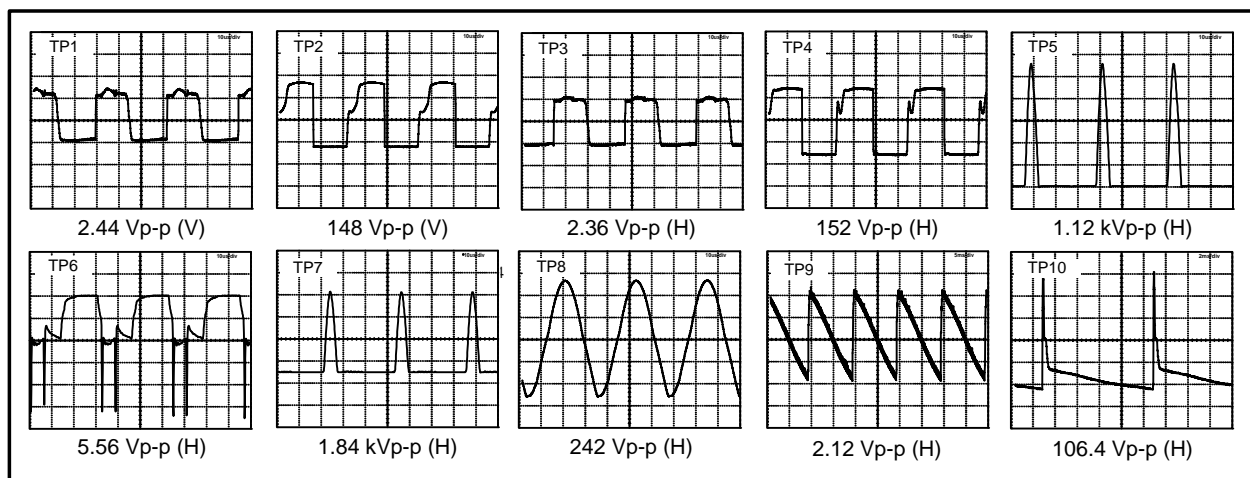
TO C BOARD CN7300

TO A BOARD CN8001

A B C D E F G H I J K L M N



~ D Board Waveforms ~

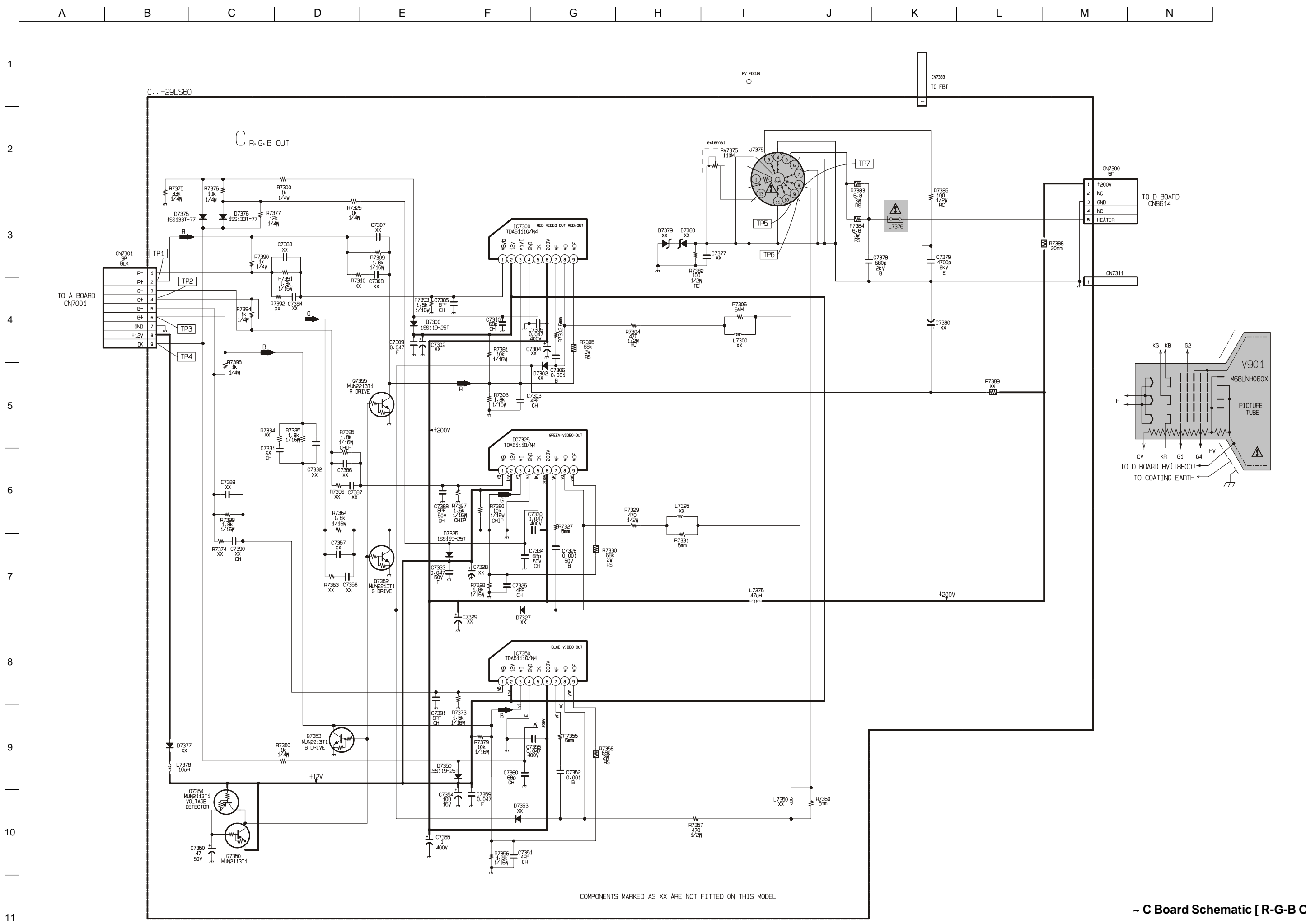


~ D Board IC Voltage Table ~

IC Voltage Table		
Ref No	Pin No	Voltage (V)
IC8100	1	0.3
	2	4.3
	3	4.1
	5	4.1
	6	3.0
	7	0.4
	IC8101	1
2		4.3
3		4.4
5		4.4
6		3.0
7		0.4
IC8102		1
	2	0.4
	3	0.4
	5	0.4
	6	0.4
	7	0.4
	IC8103	1
2		2.1
3		1.7
5		1.6
6		1.0
7		1.1

~ D Board Semiconductor Voltage Table ~

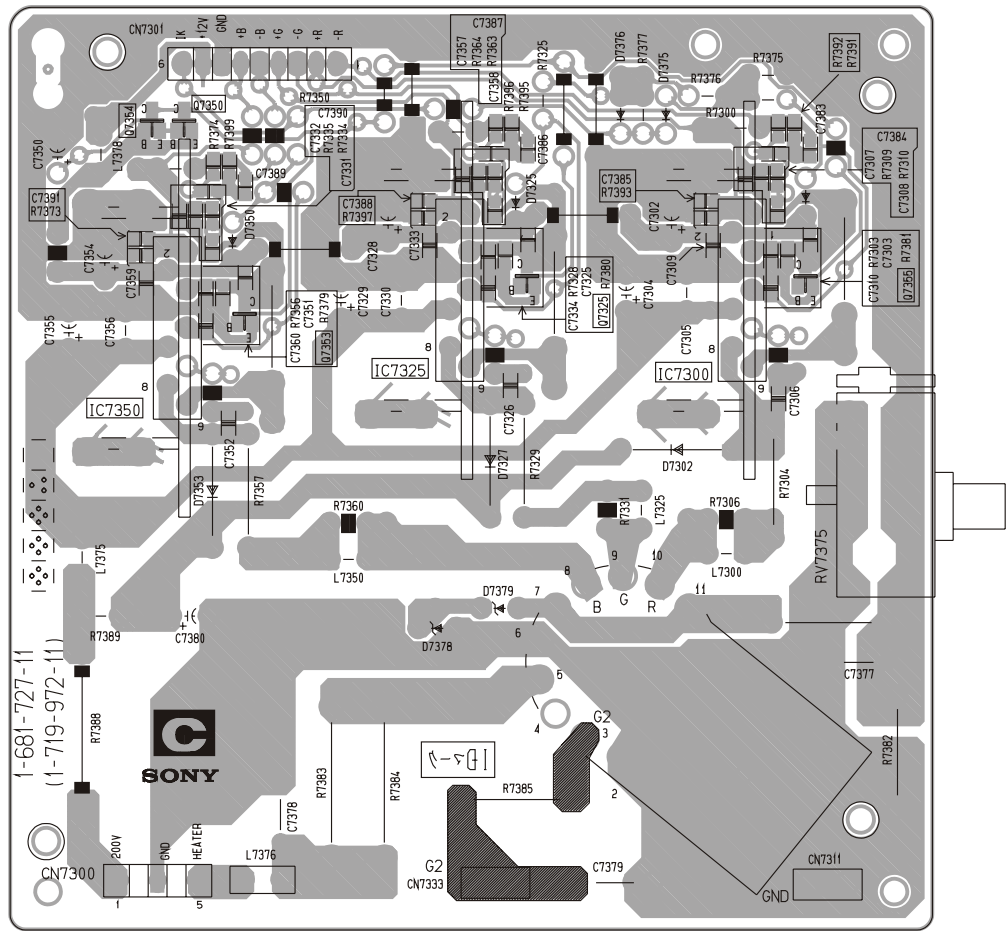
Ref	(e)(s)	(b)(g)	(c)(d)	Ref	(e)(s)	(b)(g)	(c)(d)	Ref	(e)(s)	(b)(g)	(c)(d)
Q8100	0	0.6	3.6	Q8110	2.4	3.1	0	Q8128	3.4	1.5	8.9
Q8101	0	0.6	4.3	Q8113	0.3	0.2	8.9	Q8132	0	0	3.4
Q8102	0	0.3	4.3	Q8115	8.6	8.9	0	Q8135	2.6	3.2	8.9
Q8103	4.0	0	8.9	Q8118	0	0	5.0	Q8136	2.5	1.8	0
Q8104	0	0.4	3.1	Q8119	0.7	1.4	0	Q8137	1.8	2.5	8.9
Q8105	0	0.4	3.2	Q8120	0.7	2.3	0	Q8201	0	0.6	3.9
Q8106	0	0.3	4.3	Q8122	0.5	1.4	0	Q8202	0	0.8	3.4
Q8107	0	0.3	4.2	Q8123	0.5	1.4	0	Q8203	1.4	0.9	0
Q8108	2.4	3.2	0	Q8127	1.4	1.5	0	Q8455	1.1	1.7	8.9
Q8801	0	0.4	64.7	Q8807	0	0.4	73.2	Q8851	0	5.4	81.5



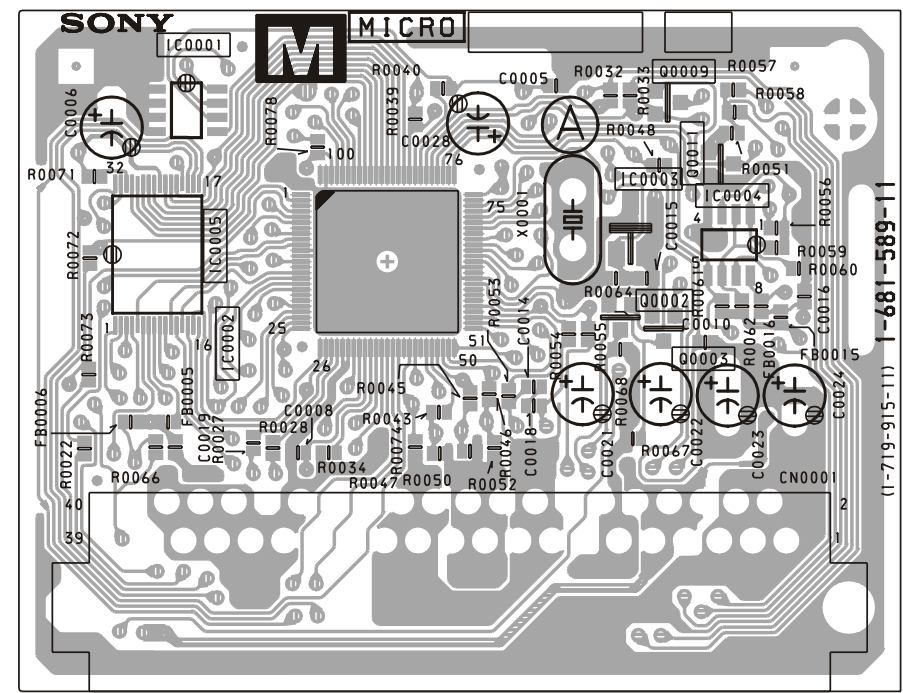
COMPONENTS MARKED AS XX ARE NOT FITTED ON THIS MODEL

~ C Board Schematic [R-G-B Out] ~

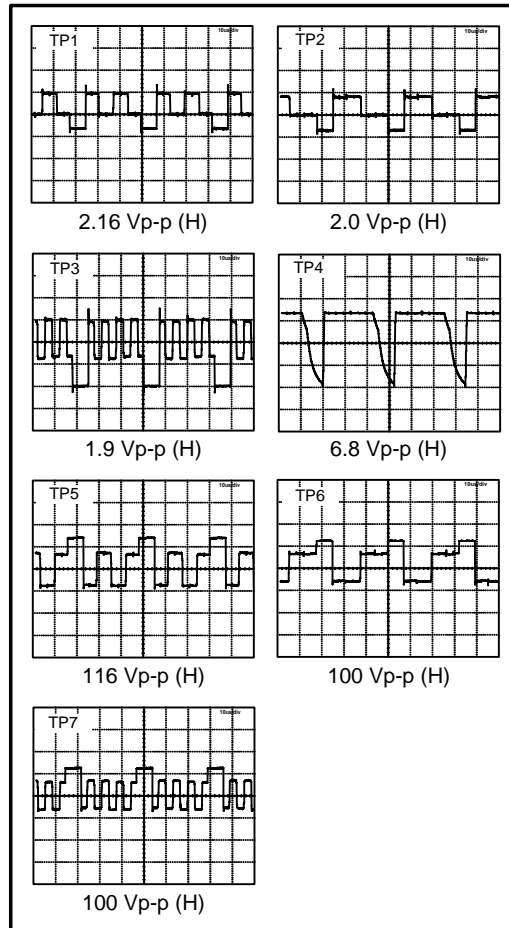
~ C Printed Wiring Board Conductor side ~



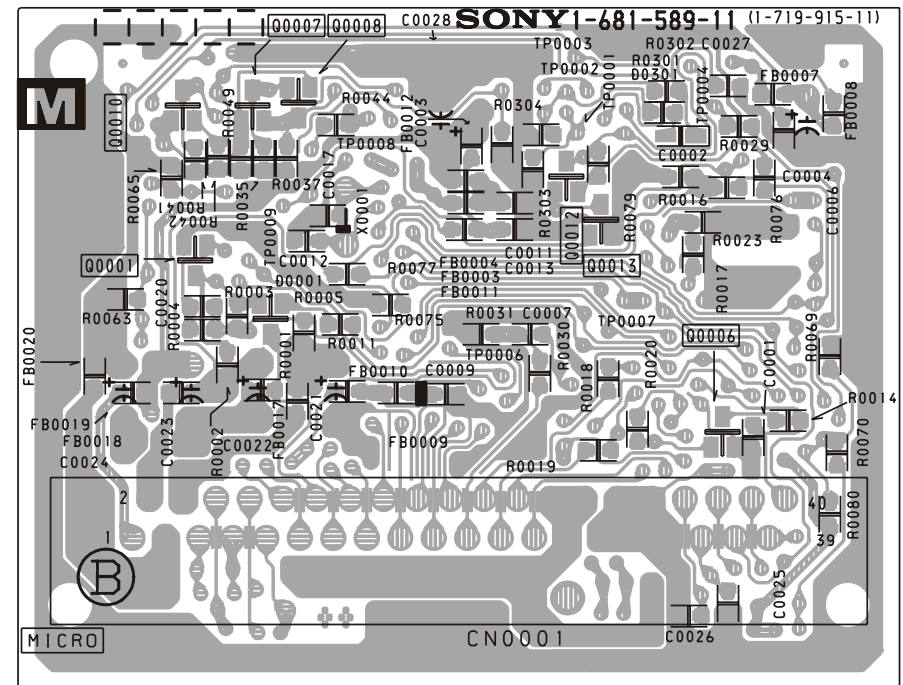
~ M Printed Wiring Board (A) side ~



~ C Board Waveforms ~



~ M Printed Wiring Board (B) side ~



~ C Board Semiconductor Voltage Table ~

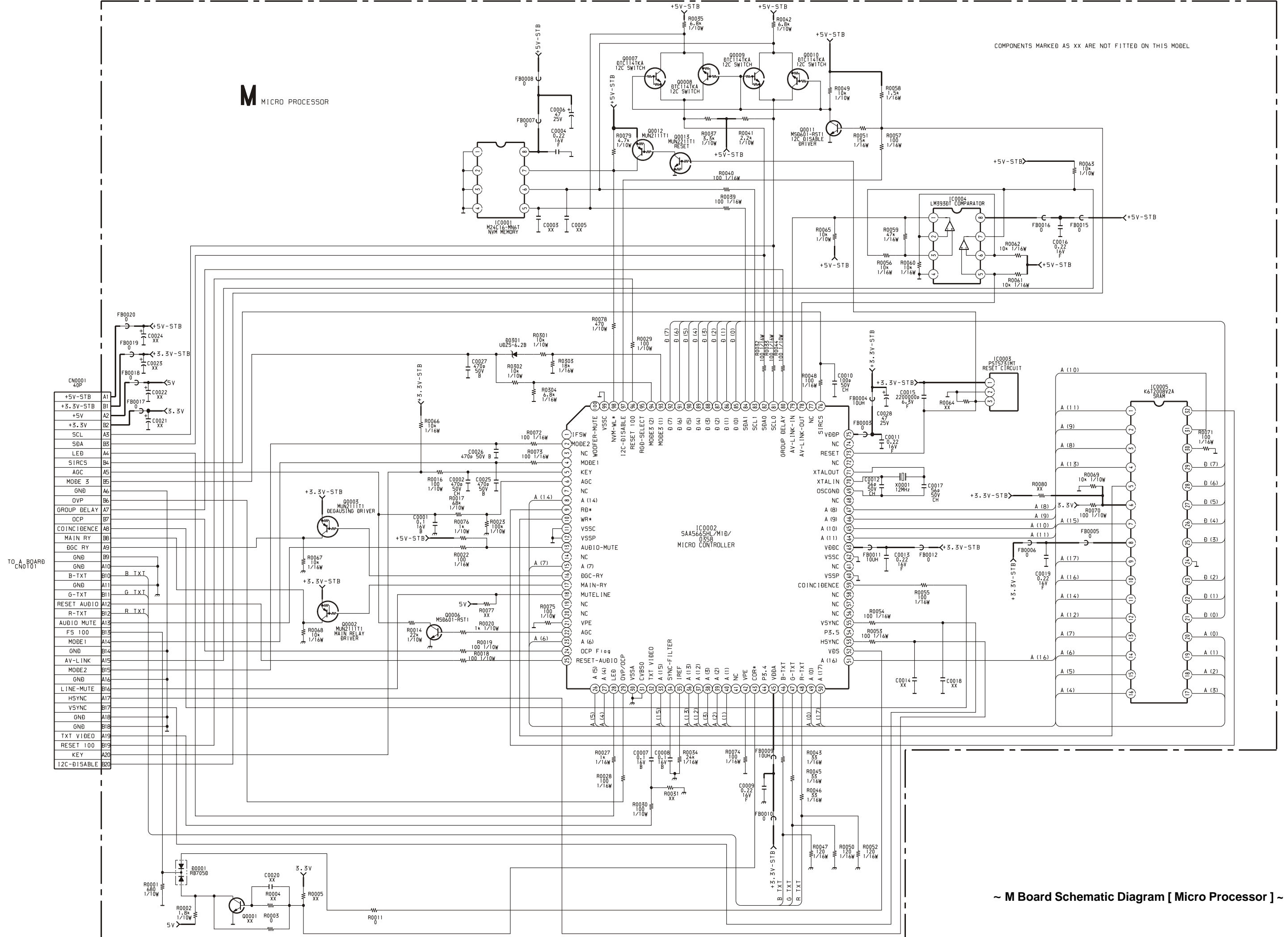
Ref	(e)	(b)	(c)
Q7350	12	11.98	0
Q7352	0	0	3.8
Q7353	0	0	3.8
Q7354	11.98	12	0
Q7355	0	0	3.8

~ C Board IC Voltage Table ~

IC Voltage Table			
Ref No	Pin No	Voltage (V)	
IC7300	1	3.9	
	3	3.8	
	5	7.5	
	6	200	
	7	140	
	8	153	
	9	140	
	IC7325	1	3.9
		3	3.8
5		7.7	
6		200	
7		140	
IC7350	1	3.9	
	3	3.8	
	5	7.5	
	6	200	
	7	139	
8	148		
9	138		

M MICRO PROCESSOR

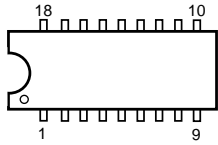
COMPONENTS MARKED AS XX ARE NOT FITTED ON THIS MODEL



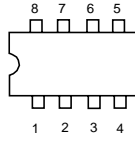
~ M Board Schematic Diagram [Micro Processor] ~

5-4. SEMICONDUCTORS

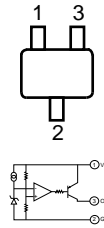
CXAB070AP
MCZ3001D



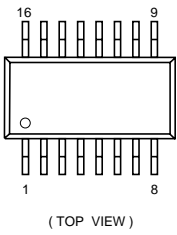
LM318P
LM358N
LM393DT
LM393N
M24C16-MN6T(A)



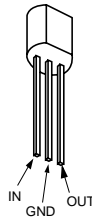
PST573IMT



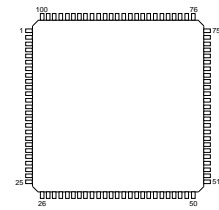
CXA1875AM-T4



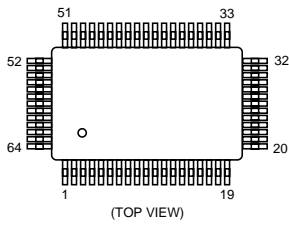
LM78L05ACZ



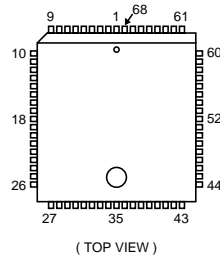
SAA5665HL/M1D/0358



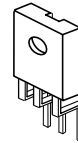
CXA2100AQ-TL



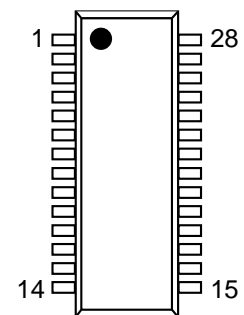
MSP3411G-QA-B10



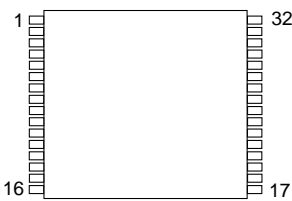
SBX3081-51(30)



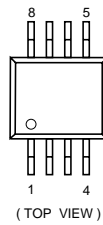
SDA9488X-B23GEG



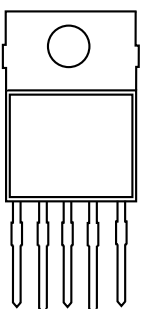
K6T2008V2A-YF70T00



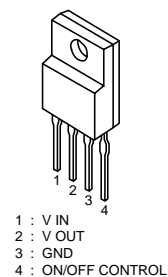
NJM3404AD-W
UPC4558G2



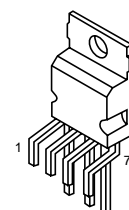
LA6500-FA



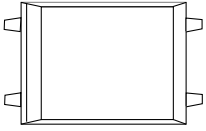
PQ30RV11



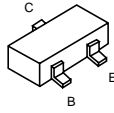
STV9379



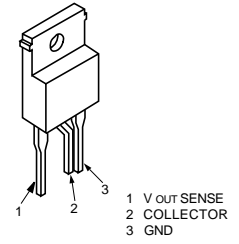
TCET1103G



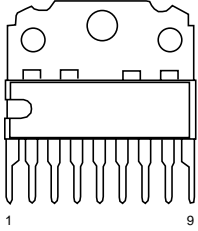
DTA144EK
DTC144TKA-T146
2SA1162-G



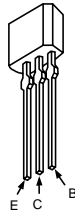
SE135N-LF4



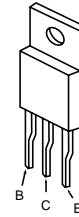
TDA6111Q/N4



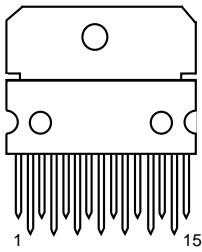
DTA144ESA
2SA933AS-QT
2SC2785-HFE



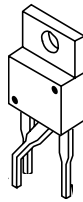
2SA1837(LBS2S0N)



TDA7497



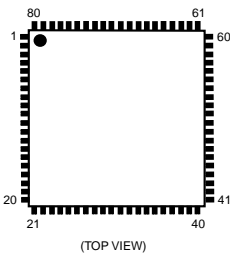
L7809CV/LSY
STP5NB40FP
STP5NB40(030Y)
2SC5698-CA
2S5696-SONY-CA



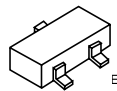
2SB734-34



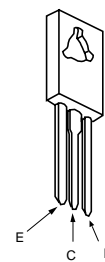
VPS9402-A32GEG



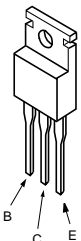
MSB709-RT1
MSD601-RST1
M1MA152WA-T1
UN2111
UN213
2SK2036(TE85L)



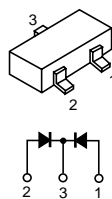
2SC2688(5)-LK



BA12T
BAO33T
IRF614-005
IRF620
SPA07N60C2
2SA2005
2SC5511



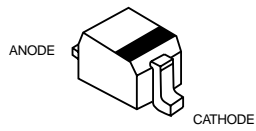
RB705D



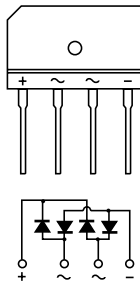
BAS216



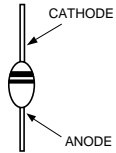
BAS316-115
MMDL914T1
UDZSTE-176.2B



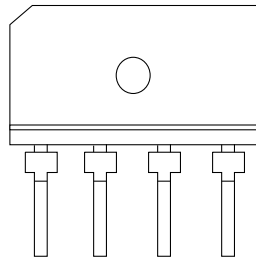
FBIU4D7MA-B
RBV-406B
S1VB40



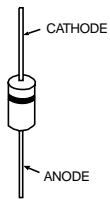
BYV98-200-RAS 15/12



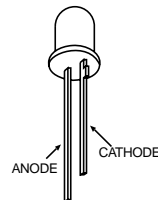
GS1B460/45



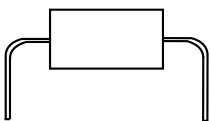
D1NL20U
EGP20G
EL1Z
GP08D
UF4005PKG23



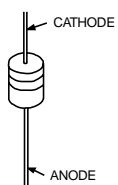
TLHK5190



D2S4MTA1

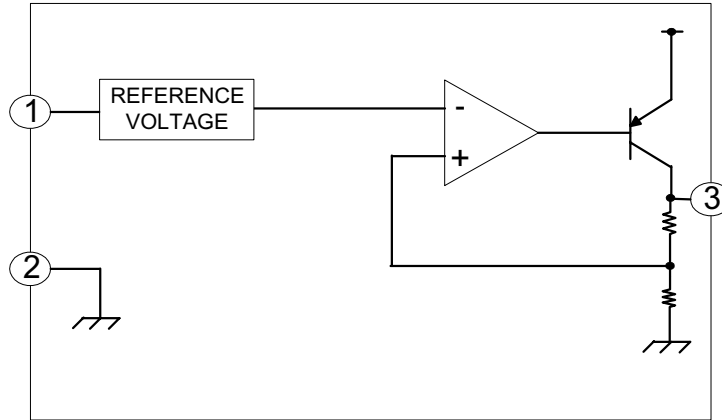


ERA38-06	MTZJ-T-77-22
ERA85-009	RD15ES-B2
HZS9.1NB2	RD39ES-B2
MTZJ-13B	RD5.6ESB2
MTZJ-33B	1SS119-25
MTZJ-3.6A	1SS133T-77
MTZJ-4.7C	

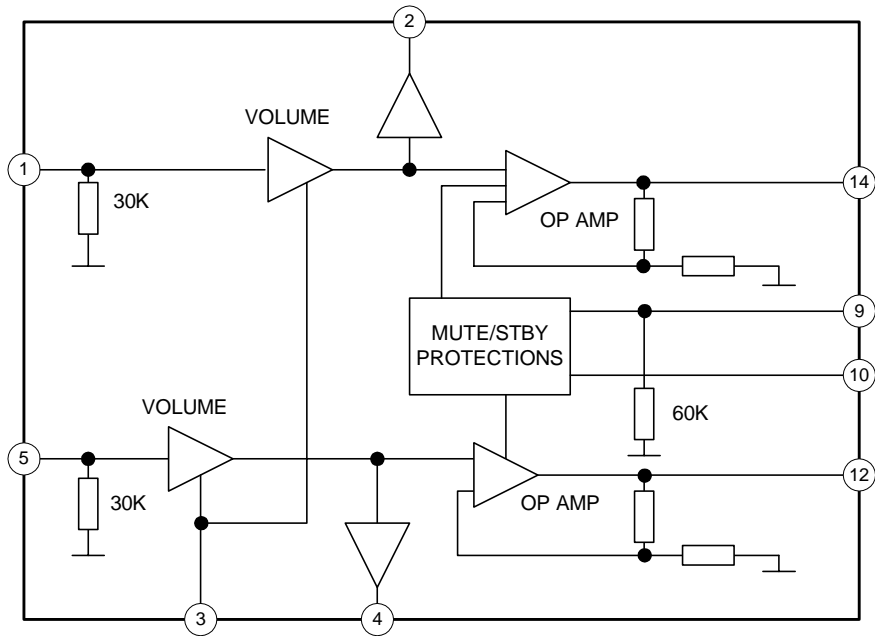


5-5 IC BLOCK DIAGRAMS

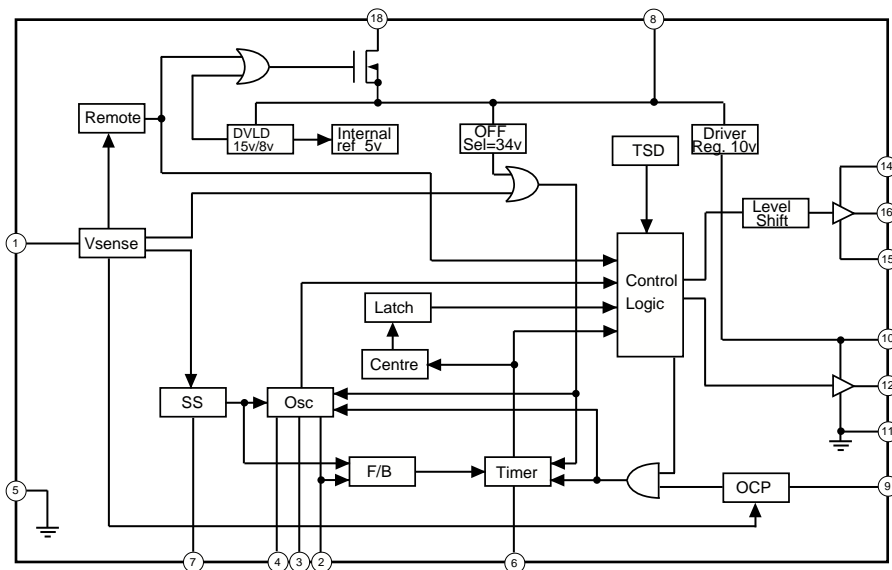
A BOARD IC6202/IC6207/IC6205 BA033T/BA12T



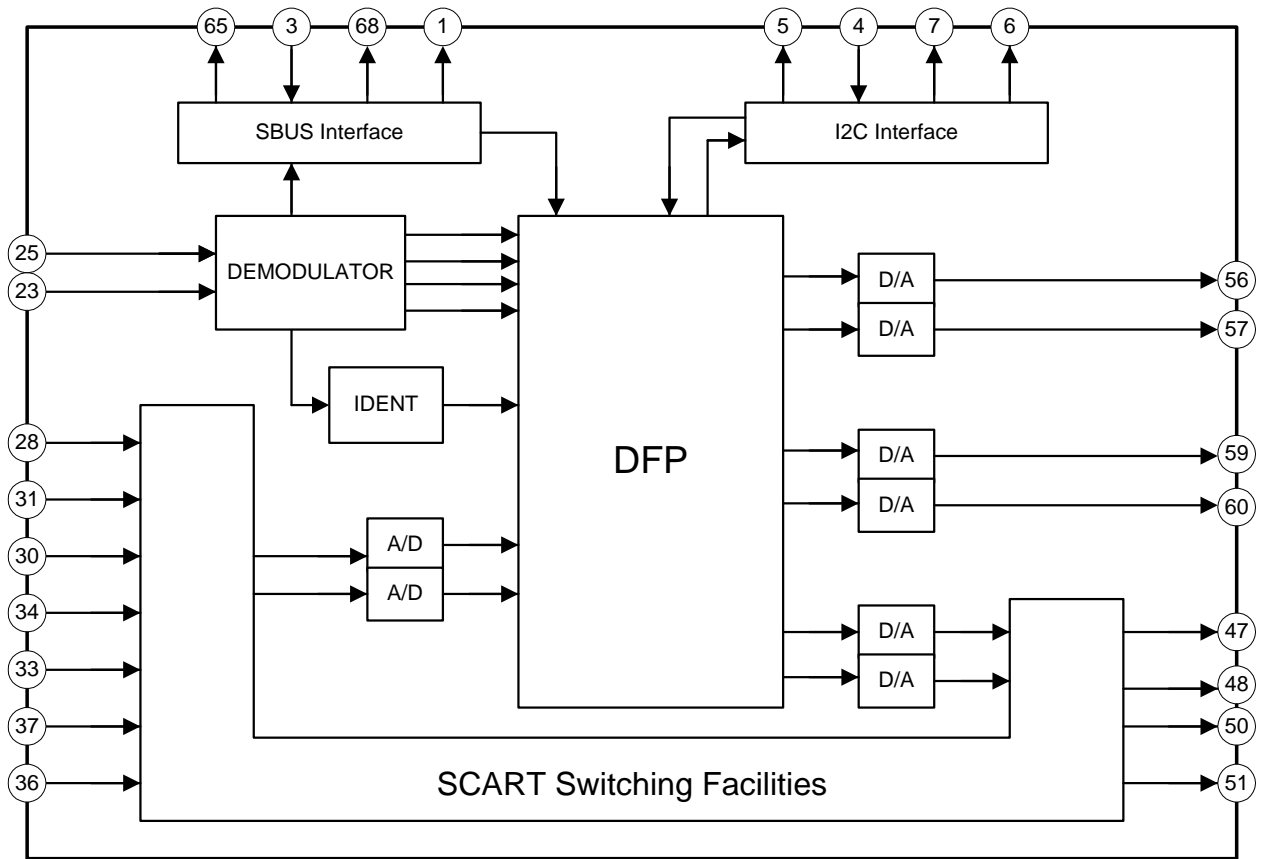
A BOARD IC2500 TDA7497



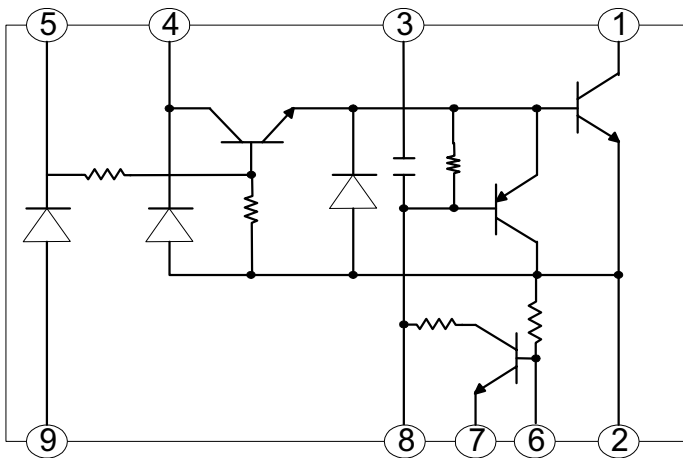
G BOARD IC6001 MCZ3001D



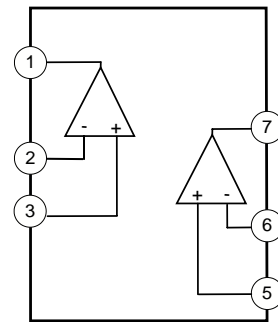
A BOARD IC2000 MSP3411G



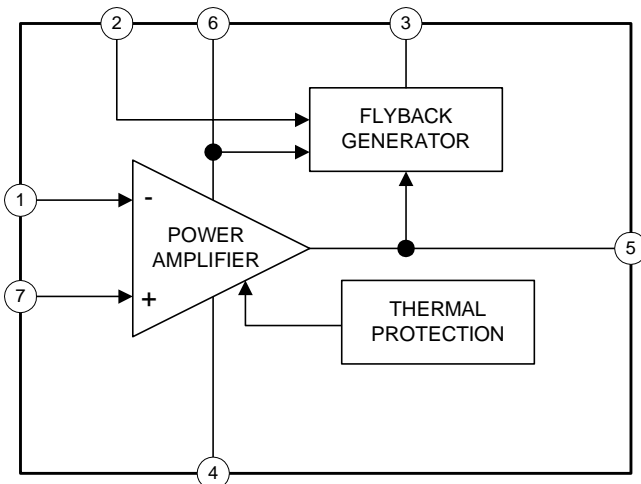
G BOARD IC6003 SE135N-LF4



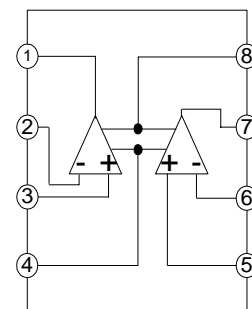
A BOARD IC5301/IC5302 LM393TD



A BOARD IC5400 STV9379



A BOARD IC5300 LM358N



SECTION 6 EXPLODED VIEWS

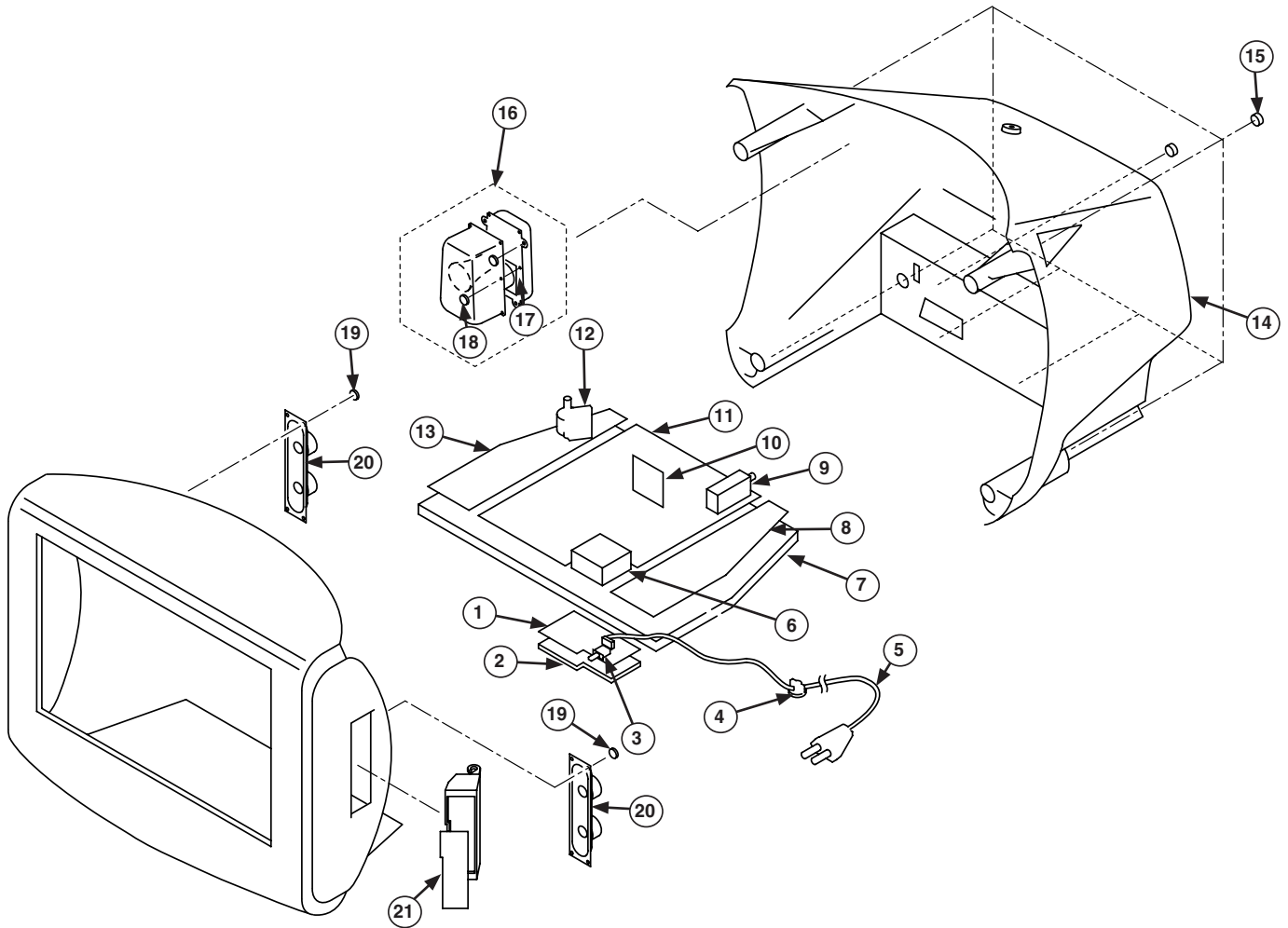
NOTE :

- Items with no part number and no description are not stocked because they are seldom required for routine service.
- The construction parts of an assembled part are indicated with a collation number in the remarks column.
- Items marked “*” are not stocked since they are seldom required for routine service. Some delay should be anticipated when ordering these items.

Note : Les composants identifiés par une trame et par une marque Δ sont d'une importance critique pour la securite. Ne les remplacer que par des pieces du numero specifie.

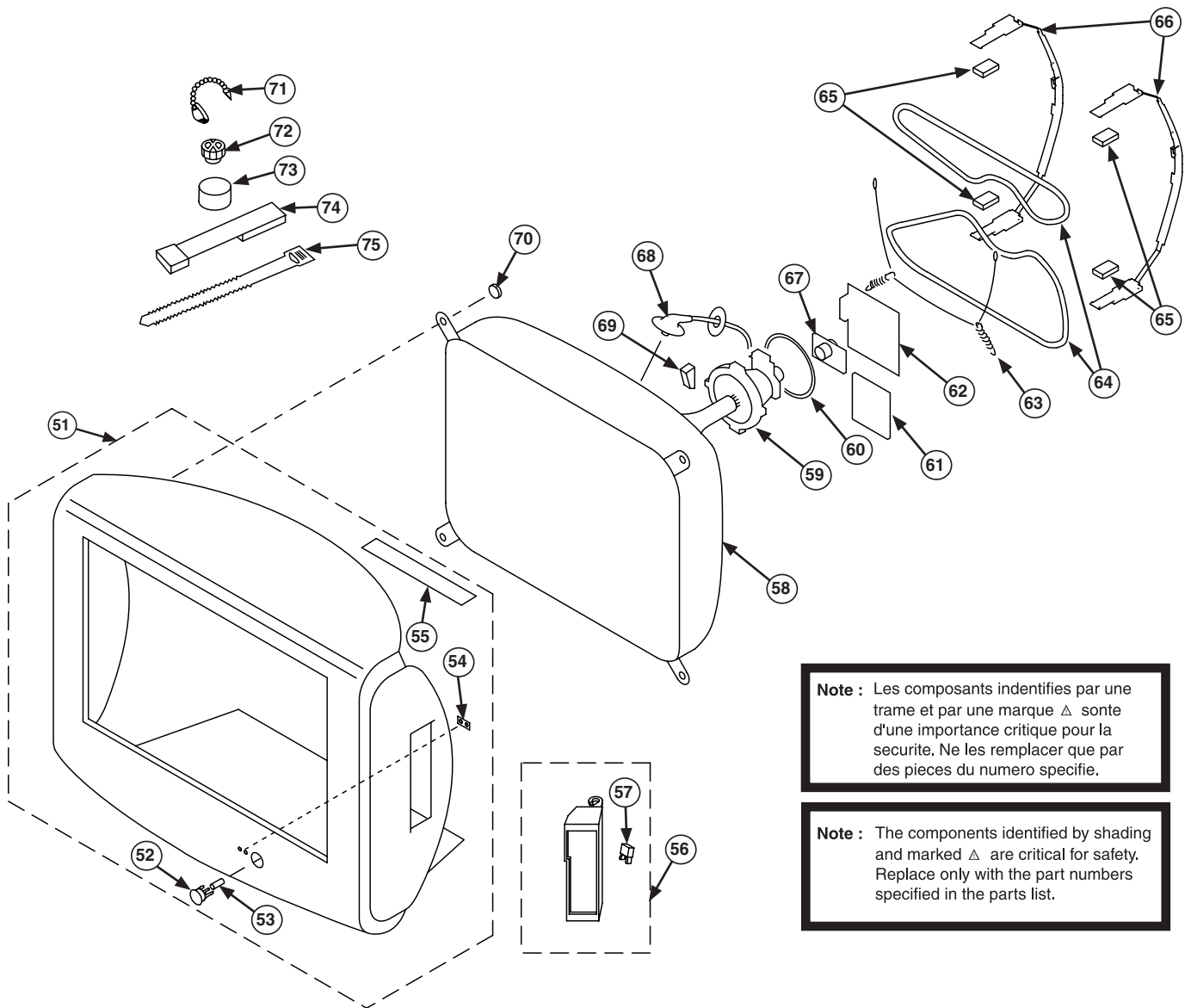
Note : The components identified by shading and marked Δ are critical for safety. Replace only with the part numbers specified in the parts list.

6-1. CHASSIS



REF.NO.	PART.NO	DESCRIPTION	REMARK	REF.NO.	PART.NO	DESCRIPTION	REMARK
1	*A-1624-102-A	F2 BOARD, COMPLETE		11	*A-1632-954-A	A BOARD, COMPLETE (KV-29LS60B)	
2	*4-206-055-01	BRACKET, F2			*A-1632-955-A	A BOARD, COMPLETE (KV-29LS60E/29LS60K)	
3	Δ 1-571-433-21	SWITCH, PUSH (AC POWER)		12	Δ 1-453-340-31	TRANSFORMER ASSY, FLYBACK (NX-4522//Z2B4)	
4	*4-202-531-01	AC CORD LOCK (SC)		13	*A-1640-432-A	D BOARD, COMPLETE	
5	Δ 1-765-286-11	CORD, POWER		14	4-206-051-01	REAR COVER	
6	1-424-855-11	COIL, CHOKE		15	7-685-663-79	SCREW +BVTP 4x16 TYPE 2 IT-3	
7	*4-206-106-01	BRACKET, MAIN		16	*A-1678-205-A	WOOFER COMPLETE ASSY	17,18
8	*A-1637-024-A	G BOARD, COMPLETE		17	1-529-989-11	SPEAKER (8CM)	
9	8-598-535-11	FRONTEND (BTF-EF411) (KV-29LS60B)		18	7-685-663-71	SCREW +BVTP 4x16 TYPE 2 IT-3	
	8-598-533-01	FRONTEND (BTF-EC411) (KV-29LS60E/29LS60K)		19	7-685-663-71	SCREW +BVTP 4x16 TYPE 2 IT-3	
10	*A-1634-062-A	M BOARD, COMPLETE		20	1-529-408-11	SPEAKER (4.2x24CM)	
				21	*A-1647-043-A	H2 BOARD, COMPLETE	

6-2. PICTURE TUBE



Note : Les composants indentifiés par une trame et par une marque Δ sont d'une importance critique pour la securite. Ne les remplacer que par des pieces du numero specifie.

Note : The components identified by shading and marked Δ are critical for safety. Replace only with the part numbers specified in the parts list.

REF.NO.	PART.NO	DESCRIPTION	REMARK	REF.NO.	PART.NO	DESCRIPTION	REMARK
51	X-4200-710-1	BEZNET ASSY	52-55	64	Δ 1-424-887-11	COIL, DEGAUSSING	
52	4-205-948-01	POWER BUTTION		65	4-203-390-11	CUSHION, DGC	
53	4-204-426-01	SPRING		66	*4-204-768-01	HOLDER, DGC (29")	
54	4-205-375-01	GUIDE, LIGHT		67	8-453-011-41	NECK ASSY, (NA299-C)	
55	4-204-666-01	SHEET, BLOTTING		68	Δ 1-251-946-11	CAP ASSY, HIGH-VOLTAGE	
56	X-4200-712-1	DOOR ASSY	57	69	3-704-495-01	SPACER, DY	
57	4-047-464-01	CATCHER, PUSH		70	4-046-765-12	SCREW, TAPPING 7+ CROWN WASHER	
58	Δ 8-735-053-05	PICTURE TUBE (M68LNH060X)		71	4-308-870-00	CLIP, LEAD WIRE	
59	8-451-504-31	DEFLECTION YOKE (Y29RSC-S)		72	1-452-094-00	MAGNET, ROTATABLE DISK; 15MM	
60	1-452-896-11	COIL, NA ROTATION (RT200)		73	1-452-032-00	MAGNET, DISK; 10MM	
61	*A-1644-119-A	VM BOARD, COMPLETE		74	X-4387-214-1	PERMALLOY ASSY, CORRECTION	
62	*A-1638-158-A	C BOARD, COMPLETE		75	3-701-007-00	BAND, BINDING	
63	4-369-318-21	SPRING, TENSION					

SECTION 7 ELECTRICAL PARTS LIST

PARTS LISTING TABLE OF CONTENTS

	<u>Page</u>
F2 BOARD COMPLETE Parts List :	49
A BOARD COMMON Parts List : Parts common to all models listed in this manual	49
A BOARD VARIANT Parts List : Parts that belong only to the model specified	
Model	
<u>KV-29LS60B</u>	57
<u>KV-29LS60E</u>	58
<u>KV-29LS60K</u>	58
M BOARD COMPLETE Parts List :	58
G BOARD COMPLETE Parts List :	59
C BOARD COMPLETE Parts List :	61
D BOARD COMPLETE Parts List :	62
H2 BOARD COMPLETE Parts List :	66
VM BOARD COMPLETE Parts List :	66
MISCELLANEOUS :	67
ACCESSORIES AND PACKAGING MATERIALS :	67

Note : Refer to the designated variant parts list when seeking a part indicated by an asterisk (*)
Parts indicated (XX) on the Schematic Diagram are not used in this model and therefore do not appear in the Parts List.

Note : The components identified by shading and marked Δ are critical for safety. Replace only with the part numbers specified in the parts list.

F2**A**

REF.NO.	PART.NO	DESCRIPTION	REMARK	REF.NO.	PART.NO	DESCRIPTION	REMARK
*A-1624-102-A F2 Board, Complete				C1006	1-126-933-11	ELECT 100UF	20.00% 16V
	4-203-258-01	HOLDER, LED		C1008	1-163-021-91	CERAMIC CHIP 0.01UF	10.00% 50V
	*4-374-846-01	COVER, CAPACITOR, CAP TYPE		C1009	1-162-925-11	CERAMIC CHIP 68PF	5.00% 50V
	< CAPACITOR >			C1010	1-162-925-11	CERAMIC CHIP 68PF	5.00% 50V
C0982	1-104-665-11	ELECT 100UF	20.00% 25V	C1014	1-126-933-11	ELECT 100UF	20.00% 16V
C0983	1-102-114-00	CERAMIC 470PF	10.00% 50V	C1015	1-163-021-91	CERAMIC CHIP 0.01UF	10.00% 50V
C0984	1-102-129-00	CERAMIC 0.01UF	10.00% 50V	C1018	1-115-340-11	CERAMIC CHIP 0.22UF	10.00% 25V
C6981	Δ 1-113-924-11	CERAMIC 0.0047UF	20.00% 250V	C1020	1-164-004-11	CERAMIC CHIP 0.1UF	10.00% 25V
	< CONNECTOR >			C1021	1-162-968-11	CERAMIC CHIP 0.0047UF	10.00% 50V
CN0981	*1-564-507-11	PLUG, CONNECTOR 4P		C1022	1-216-295-91	SHORT 0	
CN6981	*1-580-844-11	PIN, CONNECTOR (POWER)		C2000	1-162-968-11	CERAMIC CHIP 0.0047UF	10.00% 50V
CN6982	*1-695-292-11	PIN, CONNECTOR (POWER)		C2001	1-162-968-11	CERAMIC CHIP 0.0047UF	10.00% 50V
CN6983	1-695-915-11	TAB (CONTACT)		C2006	1-162-962-11	CERAMIC CHIP 470PF	10.00% 50V
	< DIODE >			C2007	1-163-021-91	CERAMIC CHIP 0.01UF	10.00% 50V
D0981	8-719-109-89	DIODE RD5.6ESB2		C2008	1-162-964-11	CERAMIC CHIP 0.001UF	10.00% 50V
D0983	8-719-082-12	DIODE TLHK5190		C2009	1-163-021-91	CERAMIC CHIP 0.01UF	10.00% 50V
	< FUSE >			C2010	1-162-964-11	CERAMIC CHIP 0.001UF	10.00% 50V
F6981	Δ 1-576-232-11	FUSE (H.B.C.) 5A/250V		C2011	1-162-962-11	CERAMIC CHIP 470PF	10.00% 50V
	*1-533-725-11	HOLDER, FUSE (F6981)		C2013	1-162-962-11	CERAMIC CHIP 470PF	10.00% 50V
	< IC >			C2014	1-164-346-11	CERAMIC CHIP 1UF	16V
IC0981	8-742-180-30	HYB IC SBX3081-51(30)		C2015	1-163-021-91	CERAMIC CHIP 0.01UF	10.00% 50V
	< RESISTOR >			C2016	1-162-962-11	CERAMIC CHIP 470PF	10.00% 50V
R0982	1-247-807-31	CARBON 100 5% 1/4W		C2018	1-162-962-11	CERAMIC CHIP 470PF	10.00% 50V
R6981	1-202-719-00	SOLID 1M 10% 1/2W		C2019	1-164-346-11	CERAMIC CHIP 1UF	16V
	< SWITCH >			C2021	1-162-962-11	CERAMIC CHIP 470PF	10.00% 50V
S6981	Δ 1-571-433-21	SWITCH, PUSH (AC POWER)		C2024	1-164-346-11	CERAMIC CHIP 1UF	16V
	< VARISTOR >			C2026	1-162-962-11	CERAMIC CHIP 470PF	10.00% 50V
VD6981	1-803-830-11	VARISTOR (ERZV14D621)		C2029	1-164-346-11	CERAMIC CHIP 1UF	16V
*A-1632-954-A A Board, Complete (KV-29LS60B)				C2038	1-162-970-11	CERAMIC CHIP 0.01UF	10.00% 25V
*A-1632-955-A A Board, Complete (KV-29LS60E/ KV-29LS60K)				C2039	1-162-906-91	CERAMIC CHIP 1.5PF	0.25PF 50V
A Board Common Parts				C2040	1-162-964-11	CERAMIC CHIP 0.001UF	10.00% 50V
	4-382-854-01	SCREW (M3X8), P, SW (+)		C2041	1-162-906-91	CERAMIC CHIP 1.5PF	0.25PF 50V
	< CAPACITOR >			C2042	1-163-249-11	CERAMIC CHIP 82PF	5.00% 50V
C1001	1-126-933-11	ELECT 100UF	20.00% 16V	C2043	1-162-962-11	CERAMIC CHIP 470PF	10.00% 50V
C1002	1-126-964-11	ELECT 10UF	20.00% 50V	C2044	1-163-021-91	CERAMIC CHIP 0.01UF	10.00% 50V
C1004	1-163-021-91	CERAMIC CHIP 0.01UF	10.00% 50V	C2046	1-162-923-11	CERAMIC CHIP 47PF	5.00% 50V
				C2047	1-162-927-11	CERAMIC CHIP 100PF	5.00% 50V
				C2048	1-126-947-11	ELECT 47UF	20.00% 25V
				C2049	1-162-925-11	CERAMIC CHIP 68PF	5.00% 50V
				C2050	1-107-823-11	CERAMIC CHIP 0.47UF	10.00% 16V
				C2051	1-126-964-11	ELECT 10UF	20.00% 50V
				C2052	1-164-004-11	CERAMIC CHIP 0.1UF	10.00% 25V
				C2053	1-164-227-11	CERAMIC CHIP 0.022UF	10.00% 25V
				C2054	1-126-947-11	ELECT 47UF	20.00% 25V
				C2055	1-162-968-11	CERAMIC CHIP 0.0047UF	10.00% 50V
				C2057	1-126-964-11	ELECT 10UF	20.00% 50V
				C2058	1-164-004-11	CERAMIC CHIP 0.1UF	10.00% 25V
				C2059	1-126-964-11	ELECT 10UF	20.00% 50V
				C2060	1-126-947-11	ELECT 47UF	20.00% 25V
				C2061	1-162-968-11	CERAMIC CHIP 0.0047UF	10.00% 50V

REF.NO.	PART.NO	DESCRIPTION	REMARK	REF.NO.	PART.NO	DESCRIPTION	REMARK
C2062	1-164-346-11	CERAMIC CHIP 1UF	16V	C3214	1-164-222-91	CERAMIC CHIP 0.22UF	25V
C2063	1-164-346-11	CERAMIC CHIP 1UF	16V	C3215	1-164-222-91	CERAMIC CHIP 0.22UF	25V
C2064	1-126-964-11	ELECT 10UF	20.00% 50V	C3216	1-164-222-91	CERAMIC CHIP 0.22UF	25V
C2065	1-162-966-11	CERAMIC CHIP 0.0022UF	10.00% 50V	C3217	1-164-222-91	CERAMIC CHIP 0.22UF	25V
C2066	1-162-966-11	CERAMIC CHIP 0.0022UF	10.00% 50V	C3218	1-164-222-91	CERAMIC CHIP 0.22UF	25V
C2069	1-127-715-91	CERAMIC CHIP 0.22UF	10.00% 16V	C3219	1-164-222-91	CERAMIC CHIP 0.22UF	25V
C2073	1-126-960-91	ELECT 1UF	20.00% 50V	C3220	1-164-222-91	CERAMIC CHIP 0.22UF	25V
C2074	1-126-960-91	ELECT 1UF	20.00% 50V	C3221	1-164-222-91	CERAMIC CHIP 0.22UF	25V
C2075	1-126-960-91	ELECT 1UF	20.00% 50V	C3222	1-164-222-91	CERAMIC CHIP 0.22UF	25V
C2077	1-126-960-91	ELECT 1UF	20.00% 50V	C3223	1-164-222-91	CERAMIC CHIP 0.22UF	25V
C2078	1-126-963-11	ELECT 4.7UF	20.00% 50V	C3224	1-164-222-91	CERAMIC CHIP 0.22UF	25V
C2079	1-164-004-11	CERAMIC CHIP 0.1UF	10.00% 25V	C3225	1-164-222-91	CERAMIC CHIP 0.22UF	25V
C2080	1-162-927-11	CERAMIC CHIP 100PF	5.00% 50V	C3226	1-164-222-91	CERAMIC CHIP 0.22UF	25V
C2081	1-115-414-11	CERAMIC CHIP 820PF	5.00% 25V	C3227	1-164-222-91	CERAMIC CHIP 0.22UF	25V
C2082	1-163-249-11	CERAMIC CHIP 82PF	5.00% 50V	C3228	1-164-489-91	CERAMIC CHIP 0.22UF	10.00% 16V
C2083	1-162-964-11	CERAMIC CHIP 0.001UF	10.00% 50V	C3229	1-164-489-91	CERAMIC CHIP 0.22UF	10.00% 16V
C2090	1-126-947-11	ELECT 47UF	20.00% 25V	C3230	1-164-489-11	CERAMIC CHIP 0.22UF	10.00% 16V
C2091	1-126-947-11	ELECT 47UF	20.00% 25V	C3231	1-164-489-11	CERAMIC CHIP 0.22UF	10.00% 16V
C2092	1-126-947-11	ELECT 47UF	20.00% 25V	C3232	1-164-489-11	CERAMIC CHIP 0.22UF	10.00% 16V
C2093	1-126-947-11	ELECT 47UF	20.00% 25V	C3233	1-164-489-11	CERAMIC CHIP 0.22UF	10.00% 16V
C2096	1-162-970-11	CERAMIC CHIP 0.01UF	10.00% 25V	C3234	1-164-489-11	CERAMIC CHIP 0.22UF	10.00% 16V
C2500	1-126-952-11	ELECT 1000UF	20.00% 35V	C3235	1-165-176-91	CERAMIC CHIP 0.047UF	10.00% 16V
C2502	1-104-666-11	ELECT 220UF	20.00% 25V	C3236	1-165-176-91	CERAMIC CHIP 0.047UF	10.00% 16V
C2504	1-164-222-91	CERAMIC CHIP 0.22UF	25V	C3237	1-165-176-91	CERAMIC CHIP 0.047UF	10.00% 16V
C2505	1-115-339-11	CERAMIC CHIP 0.1UF	10.00% 50V	C3238	1-165-176-91	CERAMIC CHIP 0.047UF	10.00% 16V
C2506	1-126-972-11	ELECT 1000UF	20.00% 50V	C3239	1-165-176-91	CERAMIC CHIP 0.047UF	10.00% 16V
C2507	1-164-230-11	CERAMIC CHIP 220PF	5.00% 50V	C3240	1-165-176-91	CERAMIC CHIP 0.047UF	10.00% 16V
C2508	1-164-230-11	CERAMIC CHIP 220PF	5.00% 50V	C3241	1-126-933-11	ELECT 100UF	20.00% 16V
C2509	1-164-230-11	CERAMIC CHIP 220PF	5.00% 50V	C3242	1-162-970-11	CERAMIC CHIP 0.01UF	10.00% 25V
C2510	1-164-227-11	CERAMIC CHIP 0.022UF	10.00% 25V	C3243	1-164-222-91	CERAMIC CHIP 0.22UF	25V
C2511	1-163-021-91	CERAMIC CHIP 0.01UF	10.00% 50V	C3250	1-163-021-91	CERAMIC CHIP 0.01UF	10.00% 50V
C2512	1-163-021-91	CERAMIC CHIP 0.01UF	10.00% 50V	C3300	1-163-251-91	CERAMIC CHIP 100PF	5.00% 50V
C2513	1-126-952-11	ELECT 1000UF	20.00% 35V	C3309	1-126-964-11	ELECT 10UF	20.00% 50V
C2515	1-164-227-11	CERAMIC CHIP 0.022UF	10.00% 25V	C3310	1-164-222-91	CERAMIC CHIP 0.22UF	25V
C2516	1-126-953-11	ELECT 2200UF	20.00% 35V	C3406	1-126-964-11	ELECT 10UF	20.00% 50V
C2517	1-126-960-11	ELECT 1UF	20.00% 50V	C5110	1-126-947-11	ELECT 47UF	20.00% 25V
C2518	1-126-960-11	ELECT 1UF	20.00% 50V	C5111	1-126-964-11	ELECT 10UF	20.00% 50V
C2519	1-126-959-11	ELECT 0.47UF	20.00% 50V	C5112	1-126-964-11	ELECT 10UF	20.00% 50V
C2521	1-164-346-11	CERAMIC CHIP 1UF	16V	C5114	1-164-156-11	CERAMIC CHIP 0.1UF	25V
C2522	1-164-004-11	CERAMIC CHIP 0.1UF	10.00% 25V	C5115	1-126-964-11	ELECT 10UF	20.00% 50V
C2523	1-115-339-11	CERAMIC CHIP 0.1UF	10.00% 50V	C5116	1-126-964-11	ELECT 10UF	20.00% 50V
C3200	1-126-964-11	ELECT 10UF	20.00% 50V	C5117	1-126-964-11	ELECT 10UF	20.00% 50V
C3202	1-126-964-11	ELECT 10UF	20.00% 50V	C5118	1-164-156-11	CERAMIC CHIP 0.1UF	25V
C3203	1-126-964-11	ELECT 10UF	20.00% 50V	C5119	1-107-823-11	CERAMIC CHIP 0.47UF	10.00% 16V
C3206	1-126-964-11	ELECT 10UF	20.00% 50V	C5120	1-165-176-11	CERAMIC CHIP 0.047UF	10.00% 16V
C3208	1-163-235-91	CERAMIC CHIP 22PF	5.00% 50V	C5121	1-165-176-11	CERAMIC CHIP 0.047UF	10.00% 16V
C3209	1-163-235-91	CERAMIC CHIP 22PF	5.00% 50V	C5122	1-164-156-11	CERAMIC CHIP 0.1UF	25V
C3210	1-126-964-11	ELECT 10UF	20.00% 50V	C5123	1-126-964-11	ELECT 10UF	20.00% 50V
C3211	1-126-964-11	ELECT 10UF	20.00% 50V	C5124	1-164-156-11	CERAMIC CHIP 0.1UF	25V
C3213	1-164-222-91	CERAMIC CHIP 0.22UF	25V	C5125	1-126-964-11	ELECT 10UF	20.00% 50V

REF.NO.	PART.NO	DESCRIPTION	REMARK	REF.NO.	PART.NO	DESCRIPTION	REMARK
C5200	1-136-177-00	FILM 1UF	5.00% 50V	C5412	1-106-220-00	MYLAR 0.1UF	10.00% 100V
C5201	1-163-989-11	CERAMIC CHIP 0.033UF	10.00% 25V	C5413	1-130-785-11	MYLAR 0.47UF	10.00% 100V
C5202	1-126-947-11	ELECT 47UF	20.00% 25V	C5801	1-126-963-11	ELECT 4.7UF	20.00% 50V
C5203	1-136-177-00	FILM 1UF	5.00% 50V	C5850	1-126-963-11	ELECT 4.7UF	20.00% 50V
C5204	1-115-339-11	CERAMIC CHIP 0.1UF	10.00% 50V	C5851	1-107-826-11	CERAMIC CHIP 0.1UF	10.00% 16V
C5205	1-163-989-11	CERAMIC CHIP 0.033UF	10.00% 25V	C5853	1-162-970-11	CERAMIC CHIP 0.01UF	10.00% 25V
C5206	1-164-222-91	CERAMIC CHIP 0.22UF	25V	C5854	1-107-826-11	CERAMIC CHIP 0.1UF	10.00% 16V
C5207	1-126-947-11	ELECT 47UF	20.00% 25V	C5858	1-107-826-11	CERAMIC CHIP 0.1UF	10.00% 16V
C5209	1-163-127-00	CERAMIC CHIP 270PF	5.00% 50V	C5859	1-126-960-11	ELECT 1UF	20.00% 50V
C5210	1-164-336-11	CERAMIC CHIP 0.33UF	25V	C5860	1-165-176-11	CERAMIC CHIP 0.047UF	10.00% 16V
C5211	1-136-165-00	FILM 0.1UF	5.00% 50V	C5868	1-164-004-11	CERAMIC CHIP 0.1UF	10.00% 25V
C5212	1-164-222-91	CERAMIC CHIP 0.22UF	25V	C5872	1-164-346-11	CERAMIC CHIP 1UF	16V
C5213	1-126-947-11	ELECT 47UF	20.00% 25V	C5873	1-163-251-11	CERAMIC CHIP 100PF	5.00% 50V
C5214	1-126-964-11	ELECT 10UF	20.00% 50V	C5888	1-164-156-11	CERAMIC CHIP 0.1UF	25V
C5215	1-162-923-11	CERAMIC CHIP 47PF	5.00% 50V	C5889	1-126-964-11	ELECT 10UF	20.00% 50V
C5216	1-162-927-11	CERAMIC CHIP 100PF	5.00% 50V	C5890	1-164-227-11	CERAMIC CHIP 0.022UF	10.00% 25V
C5217	1-136-165-00	FILM 0.1UF	5.00% 50V	C5891	1-137-581-11	FILM 0.1UF	5.00% 100V
C5218	1-162-923-11	CERAMIC CHIP 47PF	5.00% 50V	C5892	1-107-826-11	CERAMIC CHIP 0.1UF	10.00% 16V
C5219	1-126-964-11	ELECT 10UF	20.00% 50V	C5893	1-126-947-11	ELECT 47UF	20.00% 25V
C5300	1-126-933-11	ELECT 100UF	20.00% 16V	C5894	1-126-947-11	ELECT 47UF	20.00% 25V
C5301	1-126-947-11	ELECT 47UF	20.00% 25V	C5895	1-164-156-11	CERAMIC CHIP 0.1UF	25V
C5302	1-164-222-91	CERAMIC CHIP 0.22UF	25V	C5896	1-165-176-11	CERAMIC CHIP 0.047UF	10.00% 16V
C5303	1-136-153-00	FILM 0.01UF	5.00% 50V	C5897	1-162-970-11	CERAMIC CHIP 0.01UF	10.00% 25V
C5304	1-164-182-11	CERAMIC CHIP 0.0033UF	10.00% 50V	C5898	1-162-964-11	CERAMIC CHIP 0.001UF	10.00% 50V
C5305	1-165-176-11	CERAMIC CHIP 0.047UF	10.00% 16V	C5899	1-107-823-11	CERAMIC CHIP 0.47UF	10.00% 16V
C5306	1-164-156-11	CERAMIC CHIP 0.1UF	25V	C6200	1-126-933-11	ELECT 100UF	20.00% 16V
C5307	1-164-156-11	CERAMIC CHIP 0.1UF	25V	C6201	1-126-935-11	ELECT 470UF	20.00% 16V
C5309	1-162-927-11	CERAMIC CHIP 100PF	5.00% 50V	C6202	1-126-933-11	ELECT 100UF	20.00% 16V
C5310	1-136-165-00	FILM 0.1UF	5.00% 50V	C6203	1-126-935-11	ELECT 470UF	20.00% 10V
C5311	1-164-156-11	CERAMIC CHIP 0.1UF	25V	C6204	1-126-933-11	ELECT 100UF	20.00% 16V
C5312	1-165-176-11	CERAMIC CHIP 0.047UF	10.00% 16V	C6205	1-126-935-11	ELECT 470UF	20.00% 10V
C5313	1-107-714-11	ELECT 10UF	20.00% 50V	C6206	1-126-933-11	ELECT 100UF	20.00% 16V
C5314	1-162-970-11	CERAMIC CHIP 0.01UF	10.00% 25V	C6207	1-126-933-11	ELECT 100UF	20.00% 16V
C5316	1-164-230-11	CERAMIC CHIP 220PF	5.00% 50V	C6208	1-126-933-11	ELECT 100UF	20.00% 16V
C5318	1-164-156-11	CERAMIC CHIP 0.1UF	25V	C6209	1-126-933-11	ELECT 100UF	20.00% 16V
C5319	1-136-347-11	FILM 0.0047UF	5.00% 630V	C6210	1-126-935-11	ELECT 470UF	20.00% 16V
C5320	1-129-716-00	FILM 0.015UF	5.00% 630V	C6211	1-126-947-11	ELECT 47UF	20.00% 25V
C5321	1-136-347-11	FILM 0.0047UF	5.00% 630V	C6212	1-126-933-11	ELECT 100UF	20.00% 16V
C5322	1-164-156-11	CERAMIC CHIP 0.1UF	25V	C6213	1-126-933-11	ELECT 100UF	20.00% 16V
C5323	1-136-159-00	FILM 0.033UF	5.00% 50V	C6214	1-126-933-11	ELECT 100UF	20.00% 16V
C5400	1-126-964-11	ELECT 10UF	20.00% 50V	C7002	1-126-947-11	ELECT 47UF	20.00% 25V
C5401	1-107-714-11	ELECT 10UF	20.00% 50V	C7004	1-164-222-91	CERAMIC CHIP 0.22UF	25V
C5403	1-128-527-11	ELECT 330UF	20.00% 25V	C7008	1-162-919-11	CERAMIC CHIP 22PF	5.00% 50V
C5404	1-102-228-00	CERAMIC 470PF	10.00% 500V	C7016	1-107-823-11	CERAMIC CHIP 0.47UF	10.00% 16V
C5405	1-163-021-91	CERAMIC CHIP 0.01UF	10.00% 50V	C7018	1-164-004-11	CERAMIC CHIP 0.1UF	10.00% 25V
C5406	1-129-702-00	MYLAR 0.001UF	10.00% 400V	C7019	1-164-004-11	CERAMIC CHIP 0.1UF	10.00% 25V
C5407	1-128-527-11	ELECT 330UF	20.00% 25V	C7020	1-164-004-11	CERAMIC CHIP 0.1UF	10.00% 25V
C5409	1-126-968-11	ELECT 100UF	20.00% 50V	C7021	1-164-004-11	CERAMIC CHIP 0.1UF	10.00% 25V
C5410	1-163-021-91	CERAMIC CHIP 0.01UF	10.00% 50V	C7022	1-164-004-11	CERAMIC CHIP 0.1UF	10.00% 25V
C5411	1-137-401-11	MYLAR 0.22UF	10.00% 100V	C7023	1-164-004-11	CERAMIC CHIP 0.1UF	10.00% 25V

REF.NO.	PART.NO	DESCRIPTION	REMARK	REF.NO.	PART.NO	DESCRIPTION	REMARK
D5811	8-719-081-97	DIODE MMDL914T1		L2013	1-414-928-21	INDUCTOR	1UH
D5812	8-719-081-97	DIODE MMDL914T1		L2014	1-408-602-31	INDUCTOR	8.2UH
D6200	8-719-063-70	DIODE DINL20U		L2500	1-535-143-61	LEAD, JUMPER	(5.0MM)
D7004	8-719-929-15	DIODE HZS9.1NB2		L2501	1-535-143-61	LEAD, JUMPER	(5.0MM)
		< FERRITE BEAD >		L3000	1-216-295-91	SHORT	0
FB3001	1-414-760-21	FERRITE	0UH	L3004	1-216-295-91	SHORT	0
		< FILTER >		L3005	1-216-295-91	SHORT	0
FL2000	1-239-803-11	FILTER, EMI		L3006	1-216-295-91	SHORT	0
		< IC >		L3007	1-216-295-91	SHORT	0
IC2000	6-701-031-01	IC MSP3411G-QA-B10		L3008	1-216-295-91	SHORT	0
IC2001	8-759-100-96	IC UPC4558G2		L3009	1-216-295-91	SHORT	0
IC2500	8-759-831-56	IC TDA7497		L3010	1-216-295-91	SHORT	0
IC3200	6-700-505-01	IC VPS9402-A32GEG		L3011	1-216-295-91	SHORT	0
IC5103	8-752-072-94	IC CXA1875AM-T4		L3012	1-216-295-91	SHORT	0
				L3200	1-412-006-31	INDUCTOR	10UH
IC5104	8-759-803-42	IC LA6500-FA		L3202	1-412-006-31	INDUCTOR	10UH
IC5200	8-759-595-52	IC CXA8070AP		L3203	1-412-006-31	INDUCTOR	10UH
IC5201	8-759-903-16	IC LM318P		L3206	1-412-006-31	INDUCTOR	10UH
IC5300	8-759-008-70	IC LM358N		L3208	1-412-006-31	INDUCTOR	10UH
IC5301	8-759-450-95	IC LM393N		L3300	1-412-006-31	INDUCTOR	10UH
				L5300	1-406-989-21	INDUCTOR	10MH
IC5302	8-759-450-95	IC LM393N		L5301	1-406-989-21	INDUCTOR	10MH
IC5400	8-759-192-71	IC STV9379		L5400	1-412-524-11	INDUCTOR	8.2UH
IC6200	8-759-648-19	IC L7809CV/LSY		L5898	1-414-934-21	INDUCTOR	10UH
IC6201	8-759-648-20	IC L7805CV/LSY		L5899	1-414-934-21	INDUCTOR	10UH
IC6202	8-759-445-59	IC BA033T					
IC6203	8-759-098-24	IC PQ30RV11		L7001	1-414-934-21	INDUCTOR	10UH
IC6205	8-759-394-35	IC BA12T		L7009	1-414-934-21	INDUCTOR	10UH
IC6206	8-759-991-41	IC LM78L05ACZ		L7010	1-414-934-21	INDUCTOR	10UH
IC6207	8-759-445-59	IC BA033T		L7011	1-414-934-21	INDUCTOR	10UH
IC7002	8-752-090-88	IC CXA2100AQ-TL		L7012	1-414-934-21	INDUCTOR	10UH
		< JACK >				< TRANSISTOR >	
J2000	1-784-632-11	JACK, PIN 2P		Q1000	8-729-010-05	TRANSISTOR	MSB709-RT1
		< COIL >		Q1001	8-729-010-29	TRANSISTOR	MSD601-RST1
L1000	1-412-987-41	INDUCTOR	4.7UH	Q1004	8-729-010-05	TRANSISTOR	MSB709-RT1
L1001	1-412-987-41	INDUCTOR	4.7UH	Q1005	8-729-421-19	TRANSISTOR	UN2213
L1002	1-414-934-21	INDUCTOR	10UH	Q1006	8-729-010-05	TRANSISTOR	MSB709-RT1
L1003	1-414-934-21	INDUCTOR	10UH	Q2000	8-729-010-29	TRANSISTOR	MSD601-RST1
L1005	1-414-934-21	INDUCTOR	10UH	Q2001	8-729-010-29	TRANSISTOR	MSD601-RST1
L2000	1-414-934-21	INDUCTOR	10UH	Q2002	8-729-010-29	TRANSISTOR	MSD601-RST1
L2001	1-414-934-21	INDUCTOR	10UH	Q2003	8-729-010-29	TRANSISTOR	MSD601-RST1
L2007	1-408-602-31	INDUCTOR	8.2UH	Q2501	8-729-010-29	TRANSISTOR	MSD601-RST1
L2008	1-216-295-91	SHORT	0	Q2502	8-729-010-29	TRANSISTOR	MSD601-RST1
L2009	1-216-295-91	SHORT	0	Q2503	8-729-010-29	TRANSISTOR	MSD601-RST1
L2010	1-414-928-21	INDUCTOR	1UH	Q3201	8-729-010-29	TRANSISTOR	MSD601-RST1
L2012	1-414-934-21	INDUCTOR	10UH	Q3204	8-729-010-05	TRANSISTOR	MSB709-RT1
				Q3300	8-729-010-29	TRANSISTOR	MSD601-RST1
				Q3301	8-729-010-05	TRANSISTOR	MSB709-RT1
				Q3302	8-729-010-05	TRANSISTOR	MSB709-RT1
				Q3500	8-729-028-28	TRANSISTOR	2SK2036 (TE85L)

REF.NO.	PART.NO	DESCRIPTION	REMARK	REF.NO.	PART.NO	DESCRIPTION	REMARK
Q3501	8-729-028-28	TRANSISTOR 2SK2036 (TE85L)		R1005	1-216-049-11	RES-CHIP 1K 5%	1/10W
Q5101	8-729-010-29	TRANSISTOR MSD601-RST1		R1006	1-216-051-00	RES-CHIP 1.2K 5%	1/10W
Q5200	8-729-010-29	TRANSISTOR MSD601-RST1		R1007	1-414-813-11	FERRITE 00H	
Q5201	8-729-010-29	TRANSISTOR MSD601-RST1		R1008	1-216-295-91	SHORT 0	
Q5202	8-729-045-04	TRANSISTOR 2SC5511		R1009	1-216-295-91	SHORT 0	
Q5203	8-729-044-59	TRANSISTOR 2SA1837 (LBS2SON)		R1010	1-216-295-91	SHORT 0	
Q5204	8-729-010-05	TRANSISTOR MSB709-RT1		R1017	1-216-822-11	RES-CHIP 1.2K 5%	1/16W
Q5205	8-729-010-05	TRANSISTOR MSB709-RT1		R1019	1-216-295-91	SHORT 0	
Q5300	8-729-010-29	TRANSISTOR MSD601-RST1		R1021	1-216-833-11	RES-CHIP 10K 5%	1/16W
Q5301	8-729-053-33	TRANSISTOR IRF614-037		R1022	1-216-839-91	RES-CHIP 33K 5%	1/16W
Q5302	8-729-140-97	TRANSISTOR 2SB734-34		R1023	1-216-849-11	RES-CHIP 220K 5%	1/16W
Q5303	8-729-010-29	TRANSISTOR MSD601-RST1		R1024	1-216-839-11	RES-CHIP 33K 5%	1/16W
Q5304	8-729-010-29	TRANSISTOR MSD601-RST1		R1025	1-216-837-11	RES-CHIP 22K 5%	1/16W
Q5305	8-729-119-78	TRANSISTOR 2SC2785-HFE		R1026	1-216-817-11	RES-CHIP 470 5%	1/16W
Q5306	8-729-140-97	TRANSISTOR 2SB734-34		R2017	1-216-853-11	RES-CHIP 470K 5%	1/16W
Q5400	8-729-010-29	TRANSISTOR MSD601-RST1		R2020	1-216-853-11	RES-CHIP 470K 5%	1/16W
Q5401	8-729-421-19	TRANSISTOR UN2213		R2023	1-216-853-11	RES-CHIP 470K 5%	1/16W
Q5402	8-729-010-05	TRANSISTOR MSB709-RT1		R2026	1-216-853-11	RES-CHIP 470K 5%	1/16W
Q5403	8-729-421-19	TRANSISTOR UN2213		R2029	1-216-853-11	RES-CHIP 470K 5%	1/16W
Q5404	8-729-039-68	TRANSISTOR IRF620		R2032	1-216-853-11	RES-CHIP 470K 5%	1/16W
Q5813	8-729-421-19	TRANSISTOR UN2213		R2035	1-216-853-11	RES-CHIP 470K 5%	1/16W
Q5814	8-729-010-05	TRANSISTOR MSB709-RT1		R2042	1-216-829-91	RES-CHIP 4.7K 5%	1/16W
Q5815	8-729-010-29	TRANSISTOR MSD601-RST1		R2043	1-216-829-91	RES-CHIP 4.7K 5%	1/16W
Q5816	8-729-010-05	TRANSISTOR MSB709-RT1		R2046	1-216-295-91	SHORT 0	
Q7003	8-729-010-29	TRANSISTOR MSD601-RST1		R2048	1-216-837-11	RES-CHIP 22K 5%	1/16W
Q7009	8-729-010-05	TRANSISTOR MSB709-RT1		R2050	1-216-845-11	RES-CHIP 100K 5%	1/16W
Q7011	8-729-010-05	TRANSISTOR MSB709-RT1		R2051	1-216-049-11	RES-CHIP 1K 5%	1/10W
Q7012	8-729-010-05	TRANSISTOR MSB709-RT1		R2052	1-216-837-11	RES-CHIP 22K 5%	1/16W
Q7013	8-729-010-29	TRANSISTOR MSD601-RST1		R2053	1-216-817-11	RES-CHIP 470 5%	1/16W
Q7014	8-729-010-05	TRANSISTOR MSB709-RT1		R2054	1-216-049-11	RES-CHIP 1K 5%	1/10W
Q7015	8-729-010-05	TRANSISTOR MSB709-RT1		R2056	1-216-037-91	RES-CHIP 330 5%	1/10W
Q7016	8-729-010-29	TRANSISTOR MSD601-RST1		R2057	1-216-025-11	RES-CHIP 100 5%	1/10W
Q7017	8-729-010-05	TRANSISTOR MSB709-RT1		R2058	1-216-025-11	RES-CHIP 100 5%	1/10W
Q7018	8-729-010-05	TRANSISTOR MSB709-RT1		R2059	1-216-829-11	RES-CHIP 4.7K 5%	1/16W
Q7019	8-729-010-29	TRANSISTOR MSD601-RST1		R2060	1-216-829-11	RES-CHIP 4.7K 5%	1/16W
		< RESISTOR >		R2061	1-216-829-11	RES-CHIP 4.7K 5%	1/16W
JR0101	1-216-295-91	SHORT 0		R2062	1-216-829-11	RES-CHIP 4.7K 5%	1/16W
JR2000	1-216-295-91	SHORT 0		R2065	1-216-837-11	RES-CHIP 22K 5%	1/16W
R0101	1-216-833-11	RES-CHIP 10K 5%	1/16W	R2069	1-216-837-11	RES-CHIP 22K 5%	1/16W
R0102	1-216-827-11	RES-CHIP 3.3K 5%	1/16W	R2070	1-216-833-11	RES-CHIP 10K 5%	1/16W
R0103	1-216-073-91	RES-CHIP 10K 5%	1/10W	R2071	1-216-839-91	RES-CHIP 33K 5%	1/16W
R0104	1-216-827-11	RES-CHIP 3.3K 5%	1/16W	R2072	1-216-049-91	RES-CHIP 1K 5%	1/10W
R0107	1-216-025-11	RES-CHIP 100 5%	1/10W	R2073	1-216-049-91	RES-CHIP 1K 5%	1/10W
R1000	1-216-049-11	RES-CHIP 1K 5%	1/10W	R2074	1-216-837-11	RES-CHIP 22K 5%	1/16W
R1001	1-216-001-00	RES-CHIP 10 5%	1/10W	R2075	1-216-833-11	RES-CHIP 10K 5%	1/16W
R1002	1-216-821-11	RES-CHIP 1K 5%	1/16W	R2076	1-216-839-91	RES-CHIP 33K 5%	1/16W
R1003	1-216-809-91	RES-CHIP 100 5%	1/16W	R2077	1-216-049-11	RES-CHIP 1K 5%	1/10W
R1004	1-216-809-91	RES-CHIP 100 5%	1/16W	R2078	1-216-025-11	RES-CHIP 100 5%	1/10W
				R2079	1-216-049-11	RES-CHIP 1K 5%	1/10W
				R2080	1-216-831-11	RES-CHIP 6.8K 5%	1/16W

REF.NO.	PART.NO	DESCRIPTION	REMARK	REF.NO.	PART.NO	DESCRIPTION	REMARK
R2081	1-216-833-11	RES-CHIP	10K 5% 1/16W	R3026	1-216-022-00	RES-CHIP	75 5% 1/10W
R2082	1-216-031-91	RES-CHIP	180 5% 1/10W	R3027	1-216-025-11	RES-CHIP	100 5% 1/10W
R2083	1-216-817-11	RES-CHIP	470 5% 1/16W	R3028	1-216-022-00	RES-CHIP	75 5% 1/10W
R2090	1-216-829-11	RES-CHIP	4.7K 5% 1/16W	R3034	1-216-022-00	RES-CHIP	75 5% 1/10W
R2091	1-216-829-11	RES-CHIP	4.7K 5% 1/16W	R3035	1-216-025-11	RES-CHIP	100 5% 1/10W
R2092	1-216-039-00	RES-CHIP	390 5% 1/10W	R3036	1-216-022-00	RES-CHIP	75 5% 1/10W
R2093	1-216-039-00	RES-CHIP	390 5% 1/10W	R3037	1-216-045-00	RES-CHIP	680 5% 1/10W
R2094	1-216-039-00	RES-CHIP	390 5% 1/10W	R3218	1-216-821-11	RES-CHIP	1K 5% 1/16W
R2095	1-216-039-00	RES-CHIP	390 5% 1/10W	R3220	1-216-837-11	RES-CHIP	22K 5% 1/16W
R2098	1-216-049-11	RES-CHIP	1K 5% 1/10W	R3222	1-216-837-11	RES-CHIP	22K 5% 1/16W
R2099	1-216-049-11	RES-CHIP	1K 5% 1/10W	R3225	1-216-025-11	RES-CHIP	100 5% 1/10W
R2500	1-216-073-91	RES-CHIP	10K 5% 1/10W	R3226	1-216-025-11	RES-CHIP	100 5% 1/10W
R2502	1-208-810-11	METAL CHIP	15K 0.5% 1/10W	R3229	1-216-025-91	RES-CHIP	100 5% 1/10W
R2503	1-208-810-11	METAL CHIP	15K 0.5% 1/10W	R3233	1-216-821-11	RES-CHIP	1K 5% 1/16W
R2504	1-216-049-11	RES-CHIP	1K 5% 1/10W	R3236	1-216-822-11	RES-CHIP	1.2K 5% 1/16W
R2507	1-216-837-11	RES-CHIP	22K 5% 1/16W	R3238	1-216-797-11	RES-CHIP	10 5% 1/16W
R2509	1-249-417-11	CARBON	1K 5% 1/4W	R3305	1-216-025-11	RES-CHIP	100 5% 1/10W
R2511	1-216-073-91	RES-CHIP	10K 5% 1/10W	R3306	1-216-025-11	RES-CHIP	100 5% 1/10W
R2515	1-216-073-91	RES-CHIP	10K 5% 1/10W	R3312	1-216-825-11	RES-CHIP	2.2K 5% 1/16W
R2516	1-216-089-91	RES-CHIP	47K 5% 1/10W	R3313	1-216-825-11	RES-CHIP	2.2K 5% 1/16W
R2517	1-216-821-11	RES-CHIP	1K 5% 1/16W	R3318	1-216-025-11	RES-CHIP	100 5% 1/10W
R2518	1-216-049-11	RES-CHIP	1K 5% 1/10W	R3319	1-216-025-11	RES-CHIP	100 5% 1/10W
R2519	1-216-857-11	RES-CHIP	1M 5% 1/16W	R3320	1-216-025-11	RES-CHIP	100 5% 1/10W
R2520	1-216-025-11	RES-CHIP	100 5% 1/10W	R3321	1-216-864-11	SHORT	0
R2912	1-216-295-91	SHORT	0	R3322	1-216-864-11	SHORT	0
R2914	1-216-853-11	RES-CHIP	470K 5% 1/16W	R3323	1-216-813-11	RES-CHIP	220 5% 1/16W
R2921	1-216-295-91	SHORT	0	R3500	1-216-834-91	RES-CHIP	12K 5% 1/16W
R2924	1-216-295-91	SHORT	0	R3501	1-216-834-91	RES-CHIP	12K 5% 1/16W
R2927	1-216-295-91	SHORT	0	R3504	1-216-825-11	RES-CHIP	2.2K 5% 1/16W
R2930	1-216-295-91	SHORT	0	R3505	1-216-825-11	RES-CHIP	2.2K 5% 1/16W
R2933	1-216-295-91	SHORT	0	R3600	1-216-295-91	SHORT	0
R3000	1-216-025-11	RES-CHIP	100 5% 1/10W	R3601	1-216-295-91	SHORT	0
R3001	1-216-022-00	RES-CHIP	75 5% 1/10W	R3602	1-216-295-91	SHORT	0
R3009	1-216-025-11	RES-CHIP	100 5% 1/10W	R5118	1-249-413-11	CARBON	470 5% 1/4W
R3010	1-216-022-00	RES-CHIP	75 5% 1/10W	R5119	1-216-840-11	RES-CHIP	39K 5% 1/16W
R3011	1-216-025-11	RES-CHIP	100 5% 1/10W	R5122	1-216-821-11	RES-CHIP	1K 5% 1/16W
R3012	1-216-022-00	RES-CHIP	75 5% 1/10W	R5125	1-216-836-11	RES-CHIP	18K 5% 1/16W
R3013	1-216-025-11	RES-CHIP	100 5% 1/10W	R5126	1-249-413-11	CARBON	470 5% 1/4W
R3014	1-216-022-00	RES-CHIP	75 5% 1/10W	R5128	1-216-809-11	RES-CHIP	100 5% 1/16W
R3015	1-216-022-00	RES-CHIP	75 5% 1/10W	R5129	1-216-809-11	RES-CHIP	100 5% 1/16W
R3016	1-216-025-11	RES-CHIP	100 5% 1/10W	R5130	1-216-809-11	RES-CHIP	100 5% 1/16W
R3017	1-216-022-00	RES-CHIP	75 5% 1/10W	R5131	1-216-821-11	RES-CHIP	1K 5% 1/16W
R3018	1-216-025-11	RES-CHIP	100 5% 1/10W	R5132	1-216-809-11	RES-CHIP	100 5% 1/16W
R3019	1-216-022-00	RES-CHIP	75 5% 1/10W	R5133	1-216-809-11	RES-CHIP	100 5% 1/16W
R3020	1-216-025-11	RES-CHIP	100 5% 1/10W	R5137	1-216-809-11	RES-CHIP	100 5% 1/16W
R3021	1-216-022-00	RES-CHIP	75 5% 1/10W	R5138	1-216-809-11	RES-CHIP	100 5% 1/16W
R3022	1-216-025-11	RES-CHIP	100 5% 1/10W	R5139	1-216-821-11	RES-CHIP	1K 5% 1/16W
R3023	1-216-022-00	RES-CHIP	75 5% 1/10W	R5140	1-216-821-11	RES-CHIP	1K 5% 1/16W
R3024	1-216-025-11	RES-CHIP	100 5% 1/10W	R5141	1-216-833-11	RES-CHIP	10K 5% 1/16W
R3025	1-216-022-00	RES-CHIP	75 5% 1/10W	R5143	1-216-833-11	RES-CHIP	10K 5% 1/16W

REF.NO.	PART.NO	DESCRIPTION	REMARK	REF.NO.	PART.NO	DESCRIPTION	REMARK
R5144	1-216-821-11	RES-CHIP	1K 5% 1/16W	R5307	1-216-041-00	RES-CHIP	470 5% 1/10W
R5145	1-216-809-11	RES-CHIP	100 5% 1/16W	R5308	1-216-295-91	SHORT	0
R5147	1-216-809-11	RES-CHIP	100 5% 1/16W	R5309	1-208-824-91	RES-CHIP	56K 0.5% 1/10W
R5150	1-249-414-11	CARBON	560 5% 1/4W	R5310	1-208-830-11	METAL CHIP	100K 0.5% 1/10W
R5151	1-249-454-11	CARBON	3.9 5% 1/4W	R5311	1-216-045-00	RES-CHIP	680 5% 1/10W
R5152	1-249-413-11	CARBON	470 5% 1/4W	R5312	1-208-832-11	METAL CHIP	120K 0.5% 1/10W
R5153	1-249-393-11	CARBON	10 5% 1/4W	R5314	1-208-840-11	METAL CHIP	270K 0.5% 1/10W
R5154	1-216-833-91	RES-CHIP	10K 5% 1/16W	R5315	1-216-043-91	RES-CHIP	560 5% 1/10W
R5155	1-249-421-11	CARBON	2.2K 5% 1/4W	R5316	1-216-057-00	RES-CHIP	2.2K 5% 1/10W
R5156	1-216-833-11	RES-CHIP	10K 5% 1/16W	R5317	1-216-845-11	RES-CHIP	100K 5% 1/16W
R5157	1-216-829-11	RES-CHIP	4.7K 5% 1/16W	R5318	1-208-806-11	METAL CHIP	10K 0.5% 1/10W
R5201	1-216-061-91	RES-CHIP	3.3K 5% 1/10W	R5319	1-208-840-11	METAL CHIP	270K 0.5% 1/10W
R5203	1-216-825-11	RES-CHIP	2.2K 5% 1/16W	R5320	1-216-833-11	RES-CHIP	10K 5% 1/16W
R5204	1-216-809-11	RES-CHIP	100 5% 1/16W	R5321	1-216-837-11	RES-CHIP	22K 5% 1/16W
R5206	1-216-061-91	RES-CHIP	3.3K 5% 1/10W	R5322	1-216-820-11	RES-CHIP	820 5% 1/16W
R5207	1-216-057-00	RES-CHIP	2.2K 5% 1/10W	R5324	1-208-810-11	METAL CHIP	15K 0.5% 1/10W
R5208	1-212-849-00	FUSIBLE	4.7 5% 1/4W	R5325	1-208-812-11	METAL CHIP	18K 0.5% 1/10W
R5209	1-216-809-11	RES-CHIP	100 5% 1/16W	R5326	1-216-845-11	RES-CHIP	100K 5% 1/16W
R5210	1-216-845-11	RES-CHIP	100K 5% 1/16W	R5327	1-216-472-00	METAL OXIDE	39 5% 3W
R5211	1-216-845-11	RES-CHIP	100K 5% 1/16W	R5328	1-216-033-00	RES-CHIP	220 5% 1/10W
R5214	1-208-798-11	METAL CHIP	4.7K 0.5% 1/10W	R5331	1-216-033-00	RES-CHIP	220 5% 1/10W
R5215	1-216-025-11	RES-CHIP	100 5% 1/10W	R5332	1-208-806-11	METAL CHIP	10K 0.5% 1/10W
R5217	1-216-825-11	RES-CHIP	2.2K 5% 1/16W	R5333	1-208-820-91	RES-CHIP	39K 0.5% 1/10W
R5218	1-260-321-51	CARBON	270 5% 1/2W	R5334	1-208-834-91	RES-CHIP	150K 0.5% 1/10W
R5219	1-208-798-11	METAL CHIP	4.7K 0.5% 1/10W	R5335	1-208-818-11	METAL CHIP	33K 0.5% 1/10W
R5220	1-215-886-11	METAL OXIDE	100 5% 2W	R5336	1-216-057-00	RES-CHIP	2.2K 5% 1/10W
R5222	1-216-678-11	METAL CHIP	13K 0.5% 1/10W	R5337	1-216-831-11	RES-CHIP	6.8K 5% 1/16W
R5223	1-208-814-91	METAL CHIP	22K 0.5% 1/10W	R5338	1-247-823-91	CARBON	470 5% 1/4W
R5225	1-216-057-00	RES-CHIP	2.2K 5% 1/10W	R5340	1-216-057-00	RES-CHIP	2.2K 5% 1/10W
R5226	1-212-849-00	FUSIBLE	4.7 5% 1/4W	R5341	1-216-089-91	RES-CHIP	47K 5% 1/10W
R5227	1-216-049-11	RES-CHIP	1K 5% 1/10W	R5342	1-208-818-11	METAL CHIP	33K 0.5% 1/10W
R5228	1-216-049-11	RES-CHIP	1K 5% 1/10W	R5343	1-208-808-11	METAL CHIP	12K 0.5% 1/10W
R5229	1-216-837-11	RES-CHIP	22K 5% 1/16W	R5344	1-208-820-11	METAL CHIP	39K 0.5% 1/10W
R5230	1-216-677-11	METAL CHIP	12K 0.5% 1/10W	R5345	1-208-832-11	METAL CHIP	120K 0.5% 1/10W
R5231	1-216-057-00	RES-CHIP	2.2K 5% 1/10W	R5346	1-216-849-11	RES-CHIP	220K 5% 1/16W
R5232	1-216-845-11	RES-CHIP	100K 5% 1/16W	R5400	1-216-849-11	RES-CHIP	220K 5% 1/16W
R5233	1-216-057-00	RES-CHIP	2.2K 5% 1/10W	R5401	1-216-837-11	RES-CHIP	22K 5% 1/16W
R5234	1-216-833-11	RES-CHIP	10K 5% 1/16W	R5402	1-216-081-00	RES-CHIP	22K 5% 1/10W
R5235	1-216-833-11	RES-CHIP	10K 5% 1/16W	R5403	1-216-829-11	RES-CHIP	4.7K 5% 1/16W
R5237	1-216-049-11	RES-CHIP	1K 5% 1/10W	R5404	1-216-829-11	RES-CHIP	4.7K 5% 1/16W
R5238	1-216-393-00	METAL OXIDE	2.2 5% 3W	R5405	1-216-829-11	RES-CHIP	4.7K 5% 1/16W
R5239	1-208-848-11	METAL CHIP	560K 0.5% 1/10W	R5407	1-216-857-11	RES-CHIP	1M 5% 1/16W
R5241	1-216-841-11	RES-CHIP	47K 5% 1/16W	R5408	1-216-825-11	RES-CHIP	2.2K 5% 1/16W
R5300	1-208-806-11	METAL CHIP	10K 0.5% 1/10W	R5409	1-208-802-11	METAL CHIP	6.8K 0.5% 1/10W
R5301	1-216-829-11	RES-CHIP	4.7K 5% 1/16W	R5410	1-208-798-11	METAL CHIP	4.7K 0.5% 1/10W
R5302	1-208-806-11	METAL CHIP	10K 0.5% 1/10W	R5411	1-216-061-91	RES-CHIP	3.3K 5% 1/10W
R5303	1-208-816-11	METAL CHIP	27K 0.5% 1/10W	R5413	1-208-802-11	METAL CHIP	6.8K 0.5% 1/10W
R5304	1-208-806-11	METAL CHIP	10K 0.5% 1/10W	R5414	1-249-383-11	CARBON	1.5 5% 1/4W
R5305	*1-208-852-11	METAL CHIP	820K 0.5% 1/10W	R5415	1-249-389-11	CARBON	4.7 5% 1/4W
R5306	1-208-803-11	METAL CHIP	7.5K 0.5% 1/10W	R5416	1-215-888-00	METAL OXIDE	220 5% 2W

REF.NO.	PART.NO	DESCRIPTION	REMARK	REF.NO.	PART.NO	DESCRIPTION	REMARK
	< RESISTOR >						
R1011	1-216-815-11	RES-CHIP 330 5%	1/16W	C0009	1-165-128-11	CERAMIC CHIP 0.22UF	16V
R1012	1-216-815-11	RES-CHIP 330 5%	1/16W	C0010	1-162-927-11	CERAMIC CHIP 100PF	5.00% 50V
R1014	NOT FITTED			C0011	1-165-128-11	CERAMIC CHIP 0.22UF	16V
R1015	1-216-817-11	RES-CHIP 470 5%	1/16W	C0012	1-162-924-11	CERAMIC CHIP 56PF	5.00% 50V
R1016	1-216-809-11	RES-CHIP 100 5%	1/16W	C0013	1-165-128-11	CERAMIC CHIP 0.22UF	16V
R1018	1-216-825-91	RES-CHIP 2.2K 5%	1/16W	C0015	1-135-834-91	CERAMIC CHIP 2.2E+06PF	6.3V
R1020	1-216-295-91	SHORT 0		C0016	1-165-128-11	CERAMIC CHIP 0.22UF	16V
	< TUNER >			C0017	1-162-924-11	CERAMIC CHIP 56PF	5.00% 50V
TU1000	8-598-535-11	FRONTEND BTF-EF411		C0019	1-165-128-11	CERAMIC CHIP 0.22UF	16V
A Board Variant Parts KV-29LS60E/29LS60K							
	< CAPACITOR >			C0025	1-162-962-11	CERAMIC CHIP 470PF	10.00% 50V
C1011	NOT FITTED			C0026	1-162-962-11	CERAMIC CHIP 470PF	10.00% 50V
C1012	NOT FITTED			C0027	1-162-962-11	CERAMIC CHIP 470PF	10.00% 50V
C1016	NOT FITTED			C0028	1-126-947-11	ELECT 47UF	20.00% 25V
C1017	NOT FITTED				< CONNECTOR >		
	< COIL >			CN0001	1-793-497-11	CONNECTOR, BOARD TO BOARD 40P	
L1004	NOT FITTED				< DIODE >		
	< TRANSISTOR >			D0001	8-719-992-02	DIODE RB705D	
Q1002	NOT FITTED			D0301	8-719-069-56	DIODE UDZSTE-176.2B	
Q1003	NOT FITTED				< FERRITE BEAD >		
	< RESISTOR >			FB0003	1-216-295-91	SHORT	0
R1011	NOT FITTED			FB0004	1-412-006-41	INDUCTOR	10UH
R1012	NOT FITTED			FB0005	1-216-864-11	SHORT	0
R1014	1-216-295-91	SHORT	0	FB0006	1-216-864-11	SHORT	0
R1015	NOT FITTED			FB0007	1-216-295-91	SHORT	0
R1016	NOT FITTED			FB0008	1-216-295-91	SHORT	0
R1018	NOT FITTED			FB0009	1-412-006-31	INDUCTOR	10UH
R1020	NOT FITTED			FB0010	1-216-295-91	SHORT	0
	< TUNER >			FB0011	1-412-006-31	INDUCTOR	10UH
TU1000	8-598-533-01	FRONTEND BTF-EC411		FB0012	1-216-295-91	SHORT	0
*A-1634-062-A M Board, Complete							
	< CAPACITOR >			FB0015	1-216-864-11	SHORT	0
C0001	1-107-826-11	CERAMIC CHIP 0.1UF	10.00% 16V	FB0016	1-216-864-11	SHORT	0
C0002	1-164-315-11	CERAMIC CHIP 470PF	5.00% 50V	FB0017	1-216-295-91	SHORT	0
C0004	1-165-128-11	CERAMIC CHIP 0.22UF	16V	FB0018	1-216-295-91	SHORT	0
C0006	1-126-947-11	ELECT 47UF	20.00% 25V	FB0019	1-216-295-91	SHORT	0
C0007	1-107-826-11	CERAMIC CHIP 0.1UF	10.00% 16V	FB0020	1-216-295-91	SHORT	0
C0008	1-107-826-11	CERAMIC CHIP 0.1UF	10.00% 16V		< IC >		
	< TRANSISTOR >			IC0001	8-759-699-33	IC M24C16-MN6T(A)	
Q0002	8-729-424-08	TRANSISTOR UN2111		IC0002	6-700-502-01	IC SAA5665HL/M1D/0358	
Q0003	8-729-424-08	TRANSISTOR UN2111		IC0003	8-759-672-39	IC PST573IMT	
	< IC >			IC0004	8-759-665-11	IC LM393DT	
IC0001	8-759-699-33	IC M24C16-MN6T(A)		IC0005	6-700-132-01	IC K6T2008V2A-YF70T00	
IC0002	6-700-502-01	IC SAA5665HL/M1D/0358			< TRANSISTOR >		
IC0003	8-759-672-39	IC PST573IMT		Q0002	8-729-424-08	TRANSISTOR UN2111	
IC0004	8-759-665-11	IC LM393DT		Q0003	8-729-424-08	TRANSISTOR UN2111	
IC0005	6-700-132-01	IC K6T2008V2A-YF70T00			< TRANSISTOR >		

Note : The components identified by shading and marked Δ are critical for safety. Replace only with the part numbers specified in the parts list.

M

G

REF.NO.	PART.NO	DESCRIPTION	REMARK	REF.NO.	PART.NO	DESCRIPTION	REMARK
Q0006	8-729-010-29	TRANSISTOR MSD601-RST1		R0058	1-216-823-91	RES-CHIP 1.5K 5%	1/16W
Q0007	8-729-027-44	TRANSISTOR DTC114TKA-T146		R0059	1-216-841-11	RES-CHIP 47K 5%	1/16W
Q0008	8-729-027-44	TRANSISTOR DTC114TKA-T146		R0060	1-216-833-11	RES-CHIP 10K 5%	1/16W
Q0009	8-729-027-44	TRANSISTOR DTC114TKA-T146		R0061	1-216-833-11	RES-CHIP 10K 5%	1/16W
Q0010	8-729-027-44	TRANSISTOR DTC114TKA-T146		R0062	1-216-833-11	RES-CHIP 10K 5%	1/16W
Q0011	8-729-010-29	TRANSISTOR MSD601-RST1		R0063	1-216-073-91	RES-CHIP 10K 5%	1/10W
Q0012	8-729-424-08	TRANSISTOR UN2111		R0065	1-216-073-91	RES-CHIP 10K 5%	1/10W
Q0013	8-729-421-22	TRANSISTOR UN2211		R0066	1-216-833-11	RES-CHIP 10K 5%	1/16W
< RESISTOR >				R0067	1-216-833-11	RES-CHIP 10K 5%	1/16W
R0001	1-216-045-00	RES-CHIP 680 5%	1/10W	R0068	1-216-833-11	RES-CHIP 10K 5%	1/16W
R0002	1-216-055-00	RES-CHIP 1.8K 5%	1/10W	R0069	1-216-073-91	RES-CHIP 10K 5%	1/10W
R0003	1-216-295-91	SHORT 0		R0070	1-216-025-11	RES-CHIP 100 5%	1/10W
R0011	1-216-295-91	SHORT 0		R0071	1-216-809-11	RES-CHIP 100 5%	1/16W
R0014	1-216-081-91	RES-CHIP 22K 5%	1/10W	R0072	1-216-809-11	RES-CHIP 100 5%	1/16W
R0016	1-216-025-11	RES-CHIP 100 5%	1/10W	R0073	1-216-809-11	RES-CHIP 100 5%	1/16W
R0017	1-216-093-91	RES-CHIP 68K 5%	1/10W	R0074	1-216-809-11	RES-CHIP 100 5%	1/16W
R0018	1-216-025-11	RES-CHIP 100 5%	1/10W	R0075	1-216-025-11	RES-CHIP 100 5%	1/10W
R0019	1-216-025-11	RES-CHIP 100 5%	1/10W	R0076	1-216-049-11	RES-CHIP 1K 5%	1/10W
R0020	1-216-049-11	RES-CHIP 1K 5%	1/10W	R0078	1-216-041-00	RES-CHIP 470 5%	1/10W
R0022	1-216-809-11	RES-CHIP 100 5%	1/16W	R0079	1-216-065-91	RES-CHIP 4.7K 5%	1/10W
R0023	1-216-097-11	RES-CHIP 100K 5%	1/10W	R0301	1-216-073-91	RES-CHIP 10K 5%	1/10W
R0027	1-216-821-11	RES-CHIP 1K 5%	1/16W	R0302	1-216-073-91	RES-CHIP 10K 5%	1/10W
R0028	1-216-809-11	RES-CHIP 100 5%	1/16W	R0303	1-216-836-11	RES-CHIP 18K 5%	1/16W
R0029	1-216-025-11	RES-CHIP 100 5%	1/10W	R0304	1-216-831-11	RES-CHIP 6.8K 5%	1/16W
R0030	1-216-025-11	RES-CHIP 100 5%	1/10W	< CRYSTAL >			
R0032	1-216-809-11	RES-CHIP 100 5%	1/16W	X0001	1-578-774-11	VIBRATOR, CRYSTAL	
R0033	1-216-809-11	RES-CHIP 100 5%	1/16W	*A-1637-024-A G Board, Complete			
R0034	1-218-725-11	RES-CHIP 24K 5%	1/16W	4-382-854-01 SCREW (M3X8), P, SW (+)			
R0035	1-216-069-00	RES-CHIP 6.8K 5%	1/10W	< CAPACITOR >			
R0037	1-216-061-91	RES-CHIP 3.3K 5%	1/10W	C6001	Δ 1-137-999-11	FILM 0.1UF	275V
R0039	1-216-809-11	RES-CHIP 100 5%	1/16W	C6002	Δ 1-137-999-11	FILM 0.1UF	275V
R0040	1-216-809-11	RES-CHIP 100 5%	1/16W	C6003	Δ 1-119-887-51	CERAMIC 1000PF	20.00% 250V
R0041	1-216-057-91	RES-CHIP 2.2K 5%	1/10W	C6004	Δ 1-119-887-51	CERAMIC 1000PF	20.00% 250V
R0042	1-216-069-00	RES-CHIP 6.8K 5%	1/10W	C6005	1-126-965-91	ELECT 22UF	20.00% 50V
R0043	1-216-803-11	RES-CHIP 33 5%	1/16W	C6006	1-117-753-11	ELECT (BLOCK) 470UF	20.00% 450V
R0044	1-216-025-11	RES-CHIP 100 5%	1/10W	C6007	1-126-964-11	ELECT 10UF	20.00% 50V
R0045	1-216-803-11	RES-CHIP 33 5%	1/16W	C6008	1-126-963-11	ELECT 4.7UF	20.00% 50V
R0046	1-216-803-11	RES-CHIP 33 5%	1/16W	C6010	1-136-165-00	FILM 0.1UF	5.00% 50V
R0047	1-216-810-11	RES-CHIP 120 5%	1/16W	C6011	1-162-964-11	CERAMIC CHIP 0.001UF	10.00% 50V
R0048	1-216-809-11	RES-CHIP 100 5%	1/16W	C6012	1-161-830-00	CERAMIC 0.0047UF	500V
R0049	1-216-073-91	RES-CHIP 10K 5%	1/10W	C6013	1-161-830-00	CERAMIC 0.0047UF	500V
R0050	1-216-810-11	RES-CHIP 120 5%	1/16W	C6015	1-115-339-11	CERAMIC CHIP 0.1UF	10.00% 50V
R0051	1-216-835-91	RES-CHIP 15K 5%	1/16W	C6016	1-161-830-00	CERAMIC 0.0047UF	500V
R0052	1-216-810-11	RES-CHIP 120 5%	1/16W	C6017	1-161-830-00	CERAMIC 0.0047UF	500V
R0053	1-216-809-11	RES-CHIP 100 5%	1/16W	C6018	1-126-949-11	ELECT 220UF	20.00% 35V
R0054	1-216-809-11	RES-CHIP 100 5%	1/16W	C6019	1-164-645-11	CERAMIC 1000PF	10.00% 500V
R0055	1-216-809-11	RES-CHIP 100 5%	1/16W				
R0056	1-216-833-11	RES-CHIP 10K 5%	1/16W				
R0057	1-216-809-11	RES-CHIP 100 5%	1/16W				

Note : The components identified by shading and marked Δ are critical for safety. Replace only with the part numbers specified in the parts list.

REF.NO.	PART.NO	DESCRIPTION	REMARK	REF.NO.	PART.NO	DESCRIPTION	REMARK
C6020	1-135-946-21	FILM 47000PF	3% 800V	D6103	8-719-081-97	DIODE MMDL914T1	
C6021	1-164-645-11	CERAMIC 1000PF	10.00% 500V	D6104	8-719-081-97	DIODE MMDL914T1	
C6022	1-126-963-11	ELECT 4.7UF	20.00% 50V	D6105	8-719-081-97	DIODE MMDL914T1	
C6023	1-110-626-41	ELECT 330UF	20.00% 160V	D6106	8-719-081-97	DIODE MMDL914T1	
C6024	1-164-625-91	CERAMIC CHIP 680PF	10.00% 500V	D6107	8-719-081-97	DIODE MMDL914T1	
C6026	1-164-625-91	CERAMIC CHIP 680PF	10.00% 500V			< FERRITE BEAD >	
C6027	1-164-625-91	CERAMIC CHIP 680PF	10.00% 500V	FB6002	1-410-397-21	FERRITE 1.1UH	
C6028	1-128-548-11	ELECT 4700UF	20.00% 25V	FB6003	1-410-397-21	FERRITE 1.1UH	
C6029	1-126-939-11	ELECT 10000UF	20.00% 16V	FB6005	1-535-143-61	LEAD, JUMPER (5.0MM)	
C6030	1-119-940-51	ELECT 4700UF	20.00% 50V	FB6006	1-535-143-61	LEAD, JUMPER (5.0MM)	
C6031	1-535-143-71	LEAD, JUMPER (7.5MM)				< IC >	
C6032	1-127-802-51	CERAMIC CHIP 0.01UF	20.00% 250V	IC6001	8-759-670-30	IC MCZ3001D	
C6033	1-162-964-11	CERAMIC CHIP 0.001UF	10.00% 50V	IC6003	8-749-016-19	IC SE135N-LF4	
C6035	1-136-165-00	FILM 0.1UF	5.00% 50V			< COIL >	
C6036	1-136-479-11	FILM 0.001UF	2.00% 50V	L6001	1-406-663-21	INDUCTOR 47UH	
C6037	1-126-947-11	ELECT 47UF	20.00% 25V	L6002	1-412-529-11	INDUCTOR 22UH	
C6038	1-164-645-91	CERAMIC CHIP 1000PF	10.00% 500V	L6003	1-412-529-11	INDUCTOR 22UH	
C6039	1-125-891-91	CERAMIC CHIP 47UF		L6004	1-535-143-61	LEAD, JUMPER (5.0MM)	
C6040	1-115-340-11	CERAMIC CHIP 0.22UF	10.00% 25V	L6005	1-535-143-61	LEAD, JUMPER (5.0MM)	
C6045	1-115-339-11	CERAMIC CHIP 0.1UF	10.00% 50V	L6006	1-406-659-11	INDUCTOR 10UH	
C6102	1-126-943-11	ELECT 2200UF	20.00% 25V	L6007	1-412-525-31	INDUCTOR 10UH	
C6103	1-126-971-11	ELECT 470UF	20.00% 50V			< PHOTO COUPLER >	
C6105	1-126-964-11	ELECT 10UF	20.00% 50V	PH6001 Δ	8-749-016-21	IC TCET1103G	
C6106	1-126-964-11	ELECT 10UF	20.00% 50V			< TRANSISTOR >	
		< CONNECTOR >		Q6003	8-729-010-29	TRANSISTOR MSD601-RST1	
CN6001	*1-691-291-11	PIN, CONNECTOR (PC BOARD) 5P		Q6005	8-729-029-56	TRANSISTOR DTA144ESA	
CN6002	*1-508-786-00	PIN, CONNECTOR (5MM PITCH) 2P		Q6006	8-729-056-60	TRANSISTOR SPA07N60C2	
CN6003	*1-508-765-00	PIN, CONNECTOR (5MM PITCH) 3P		Q6007	8-729-056-60	TRANSISTOR SPA07N60C2	
CN6004	*1-691-960-11	PIN, CONNECTOR (PC BOARD) 3P		Q6010	8-729-119-78	TRANSISTOR 2SC2785-HFE	
CN6005	*1-564-509-11	PLUG, CONNECTOR 6P		Q6101	8-729-029-56	TRANSISTOR DTA144ESA	
CN6006	*1-564-516-11	PLUG, CONNECTOR 13P		Q6102	8-729-010-29	TRANSISTOR MSD601-RST1	
CN6008	*1-564-507-11	PLUG, CONNECTOR 4P		Q6103	8-729-029-56	TRANSISTOR DTA144ESA	
		< DIODE >		Q6104	8-729-010-29	TRANSISTOR MSD601-RST1	
D6001	6-500-067-01	DIODE GSIB460L/45		Q6105	8-729-010-29	TRANSISTOR MSD601-RST1	
D6002	8-719-982-26	DIODE MTZJ-33B				< RESISTOR >	
D6004	8-719-979-64	DIODE UF4005PKG23		JR6004	1-216-295-91	SHORT 0	
D6006	8-719-081-97	DIODE MMDL914T1		R6003	1-202-933-61	FUSIBLE 0.1 10% 1/2W	
D6007	8-719-081-97	DIODE MMDL914T1		R6004	1-205-998-11	CEMENTED 1 5% 10W	
D6008	8-719-063-70	DIODE D1NL20U		R6005	1-205-998-11	CEMENTED 1 5% 10W	
D6009	8-719-110-41	DIODE RD15ES-B2		R6006	1-205-998-11	CEMENTED 1 5% 10W	
D6010	8-719-085-24	DIODE FB1U4D7M1-B		R6007	1-243-979-21	METAL OXIDE 0.1 5% 2W	
D6016	8-719-309-99	DIODE REV-406B		R6008	1-243-979-21	METAL OXIDE 0.1 5% 2W	
D6031	8-719-080-59	DIODE EK19-V0		R6009	1-208-810-11	METAL CHIP 15K 0.5% 1/10W	
D6032	8-719-080-59	DIODE EK19-V0					
D6033	8-719-022-99	DIODE D2S4MTA1					
D6034	8-719-022-99	DIODE D2S4MTA1					
D6101	8-719-081-97	DIODE MMDL914T1					
D6102	8-719-511-40	DIODE S1VB20-S					

Note : The components identified by shading and marked Δ are critical for safety. Replace only with the part numbers specified in the parts list.

G

C

REF.NO.	PART.NO	DESCRIPTION	REMARK	REF.NO.	PART.NO	DESCRIPTION	REMARK
R6010	1-215-481-00	METAL	330K 1% 1/4W	T6101	Δ 1-437-483-11	TRANSFORMER, STANDBY	
R6013	Δ 1-218-265-21	FILM	8.2M 5% 1W			< THERMISTOR >	
R6014	1-215-926-00	METAL OXIDE	33K 5% 3W	TH6002	Δ 1-803-541-11	THERMISTOR	
R6015	1-208-757-11	METAL CHIP	91 0.5% 1/10W			*A-1638-158-A C Board, Complete	
R6016	1-216-821-11	RES-CHIP	1K 5% 1/16W			4-382-854-01	SCREW (M3X8), P, SW (+)
R6017	1-216-833-11	RES-CHIP	10K 5% 1/16W			< CAPACITOR >	
R6018	1-247-895-91	CARBON	470K 5% 1/4W	C7303	1-162-909-91	CERAMIC CHIP 4PF	0.25PF 50V
R6019	1-247-891-00	CARBON	330K 5% 1/4W	C7305	1-136-207-11	MYLAR 0.047UF	10.00% 400V
R6020	1-216-820-11	RES-CHIP	820 5% 1/16W	C7306	1-163-009-91	CERAMIC CHIP 0.001UF	10.00% 50V
R6021	1-216-362-11	METAL OXIDE	0.27 5% 2W	C7309	1-163-035-00	CERAMIC CHIP 0.047UF	50V
R6022	1-216-833-11	RES-CHIP	10K 5% 1/16W	C7310	1-163-247-91	CERAMIC CHIP 68PF	5.00% 50V
R6024	1-211-964-91	RES-CHIP	33 0.5% 1/10W	C7325	1-162-909-91	CERAMIC CHIP 4PF	0.25PF 50V
R6029	1-216-833-11	RES-CHIP	10K 5% 1/16W	C7326	1-163-009-91	CERAMIC CHIP 0.001UF	10.00% 50V
R6030	1-216-817-11	RES-CHIP	470 5% 1/16W	C7330	1-136-207-11	MYLAR 0.047UF	10.00% 400V
R6032	1-249-417-11	CARBON	1K 5% 1/4W	C7333	1-163-035-00	CERAMIC CHIP 0.047UF	50V
R6033	1-215-481-00	METAL	330K 1% 1/4W	C7334	1-163-247-91	CERAMIC CHIP 68PF	5.00% 50V
R6034	1-249-389-11	CARBON	4.7 5% 1/4W	C7350	1-104-664-91	ELECT 47UF	20.00% 25V
R6035	1-260-083-91	CARBON	47 5% 1/2W	C7351	1-162-909-91	CERAMIC CHIP 4PF	0.25PF 50V
R6036	1-216-817-11	RES-CHIP	470 5% 1/16W	C7352	1-163-009-91	CERAMIC CHIP 0.001UF	10.00% 50V
R6037	1-249-405-11	CARBON	100 5% 1/4W	C7354	1-126-933-11	ELECT 100UF	20.00% 16V
R6038	1-208-830-11	METAL CHIP	100K 0.5% 1/10W	C7355	1-107-967-11	ELECT 1UF	20.00% 400V
R6039	1-208-830-11	METAL CHIP	100K 0.5% 1/10W	C7356	1-136-207-11	MYLAR 0.047UF	10.00% 400V
R6040	1-208-814-91	METAL CHIP	22K 0.5% 1/10W	C7359	1-163-035-00	CERAMIC CHIP 0.047UF	50V
R6042	1-216-295-91	SHORT	0	C7360	1-163-247-91	CERAMIC CHIP 68PF	5.00% 50V
R6045	1-208-770-11	METAL CHIP	330 0.5% 1/10W	C7378	1-162-116-00	CERAMIC 680PF	10.00% 2KV
R6047	1-208-842-11	METAL CHIP	330K 0.5% 1/10W	C7379	1-162-114-00	CERAMIC 0.0047UF	2KV
R6048	1-215-481-00	METAL	330K 1% 1/4W	C7385	1-162-913-91	CERAMIC CHIP 8PF	0.50PF 50V
R6049	1-208-805-11	METAL CHIP	9.1K 0.5% 1/10W	C7388	1-162-913-91	CERAMIC CHIP 8PF	0.50PF 50V
R6050	1-208-758-11	METAL CHIP	100 0.5% 1/10W	C7391	1-162-913-91	CERAMIC CHIP 8PF	0.50PF 50V
R6054	1-211-964-91	RES-CHIP	33 0.5% 1/10W			< CONNECTOR >	
R6056	1-216-295-91	SHORT	0	CN7300	*1-564-508-11	PLUG, CONNECTOR 5P	
R6101	1-216-821-11	RES-CHIP	1K 5% 1/16W	CN7301	*1-564-512-11	PLUG, CONNECTOR 9P	
R6102	1-216-829-11	RES-CHIP	4.7K 5% 1/16W	CN7311	1-695-915-11	TAB (CONTACT)	
R6103	1-216-821-11	RES-CHIP	1K 5% 1/16W	CN7333	1-695-915-11	TAB (CONTACT)	
R6104	1-216-821-11	RES-CHIP	1K 5% 1/16W			< DIODE >	
R6105	1-216-821-11	RES-CHIP	1K 5% 1/16W	D7300	8-719-911-19	DIODE 1SS119-25	
R6106	1-216-829-11	RES-CHIP	4.7K 5% 1/16W	D7325	8-719-911-19	DIODE 1SS119-25	
R6107	1-216-829-11	RES-CHIP	4.7K 5% 1/16W	D7350	8-719-911-19	DIODE 1SS119-25	
R6108	1-216-821-11	RES-CHIP	1K 5% 1/16W	D7375	8-719-991-33	DIODE 1SS133T-77	
R6109	1-216-829-11	RES-CHIP	4.7K 5% 1/16W	D7376	8-719-991-33	DIODE 1SS133T-77	
R6110	1-216-821-11	RES-CHIP	1K 5% 1/16W			< IC >	
		< RELAY >		IC7300	8-759-360-83	IC TDA6111Q/N4	
RY6001	Δ 1-755-395-11	RELAY (AC POWER)		IC7325	8-759-360-83	IC TDA6111Q/N4	
RY6002	Δ 1-755-389-11	RELAY (AC POWER)					
		< TRANSFORMER >					
T6002	Δ 1-437-443-11	TRANSFORMER, PIT					
T6003	Δ 1-424-896-11	TRANSFORMER, LINE FILTER					

Note : The components identified by shading and marked Δ are critical for safety. Replace only with the part numbers specified in the parts list.

C

D

REF.NO.	PART.NO	DESCRIPTION	REMARK	REF.NO.	PART.NO	DESCRIPTION	REMARK
IC7350	8-759-360-83	IC TDA6111Q/N4		R7385	1-202-549-00	SOLID 100 20%	1/2W
	< SOCKET >			R7388	1-535-143-51	LEAD, JUMPER (20.0MM)	
J7375	Δ 1-251-732-11	SOCKET, CRT		R7390	1-249-417-11	CARBON 1K 5%	1/4W
	< COIL >			R7391	1-216-824-11	RES-CHIP 1.8K 5%	1/16W
L7375	1-410-671-31	INDUCTOR 47UH		R7393	1-216-823-11	RES-CHIP 1.5K 5%	1/16W
L7376	Δ 1-532-637-00	LINK, IC 1A/150V	ICP-N25	R7394	1-249-417-11	CARBON 1K 5%	1/4W
L7378	1-414-934-21	INDUCTOR 10UH		R7395	1-216-824-11	RES-CHIP 1.8K 5%	1/16W
	< TRANSISTOR >			R7397	1-216-823-11	RES-CHIP 1.5K 5%	1/16W
Q7350	8-729-901-06	TRANSISTOR DTA144EK		R7398	1-249-417-11	CARBON 1K 5%	1/4W
Q7352	8-729-421-19	TRANSISTOR UN2213		R7399	1-216-824-11	RES-CHIP 1.8K 5%	1/16W
Q7353	8-729-421-19	TRANSISTOR UN2213			< VARIABLE RESISTOR >		
Q7354	8-729-901-06	TRANSISTOR DTA144EK		RV7375	1-241-656-11	RES, ADJ, METAL FILM 110M	
Q7355	8-729-421-19	TRANSISTOR UN2213			*A-1640-432-A D Board, Complete		
	< RESISTOR >				4-382-854-01	SCREW (M3X8), P, SW (+)	
R7300	1-249-417-11	CARBON 1K 5%	1/4W		*4-931-401-01	HEAT SINK, V.OUT	
R7302	1-535-143-61	LEAD, JUMPER (5.0MM)			< CAPACITOR >		
R7303	1-216-824-11	RES-CHIP 1.8K 5%	1/16W	C8100	1-136-165-00	FILM 0.1UF	5.00% 50V
R7304	1-202-565-81	SOLID 470 20%	1/2W	C8101	1-136-165-00	FILM 0.1UF	5.00% 50V
R7305	1-215-903-11	METAL OXIDE 68K 5%	2W	C8102	1-136-165-00	FILM 0.1UF	5.00% 50V
R7306	1-535-143-61	LEAD, JUMPER (5.0MM)		C8103	1-115-416-11	CERAMIC CHIP 0.001UF	5.00% 25V
R7309	1-216-824-11	RES-CHIP 1.8K 5%	1/16W	C8104	1-115-416-11	CERAMIC CHIP 0.001UF	5.00% 25V
R7325	1-249-417-11	CARBON 1K 5%	1/4W	C8105	1-126-947-11	ELECT 47UF	20.00% 25V
R7327	1-535-143-61	LEAD, JUMPER (5.0MM)		C8106	1-164-315-11	CERAMIC CHIP 470PF	5.00% 50V
R7328	1-216-824-11	RES-CHIP 1.8K 5%	1/16W	C8108	1-162-970-11	CERAMIC CHIP 0.01UF	10.00% 25V
R7329	1-202-565-81	SOLID 470 20%	1/2W	C8109	1-126-947-11	ELECT 47UF	20.00% 25V
R7330	1-215-903-11	METAL OXIDE 68K 5%	2W	C8113	1-162-970-11	CERAMIC CHIP 0.01UF	10.00% 25V
R7331	1-535-143-61	LEAD, JUMPER (5.0MM)		C8114	1-126-964-11	ELECT 10UF	20.00% 50V
R7335	1-216-824-11	RES-CHIP 1.8K 5%	1/16W	C8115	1-162-962-11	CERAMIC CHIP 470PF	10.00% 50V
R7350	1-249-417-11	CARBON 1K 5%	1/4W	C8116	1-115-416-11	CERAMIC CHIP 0.001UF	5.00% 25V
R7355	1-535-143-61	LEAD, JUMPER (5.0MM)		C8117	1-115-416-11	CERAMIC CHIP 0.001UF	5.00% 25V
R7356	1-216-824-11	RES-CHIP 1.8K 5%	1/16W	C8118	1-162-970-11	CERAMIC CHIP 0.01UF	10.00% 25V
R7357	1-202-565-81	SOLID 470 20%	1/2W	C8120	1-165-176-11	CERAMIC CHIP 0.047UF	10.00% 16V
R7358	1-215-903-11	METAL OXIDE 68K 5%	2W	C8125	1-162-968-11	CERAMIC CHIP 0.0047UF	10.00% 50V
R7360	1-535-143-61	LEAD, JUMPER (5.0MM)		C8126	1-165-176-11	CERAMIC CHIP 0.047UF	10.00% 16V
R7364	1-216-824-11	RES-CHIP 1.8K 5%	1/16W	C8128	1-162-968-11	CERAMIC CHIP 0.0047UF	10.00% 50V
R7373	1-216-823-11	RES-CHIP 1.5K 5%	1/16W	C8130	1-164-230-11	CERAMIC CHIP 220PF	5.00% 50V
R7375	1-249-435-11	CARBON 33K 5%	1/4W	C8131	1-126-964-11	ELECT 10UF	20.00% 50V
R7376	1-249-429-11	CARBON 10K 5%	1/4W	C8132	1-164-230-11	CERAMIC CHIP 220PF	5.00% 50V
R7377	1-249-430-11	CARBON 12K 5%	1/4W	C8134	1-102-406-91	CERAMIC 2PF	0.25PF 50V
R7379	1-216-833-11	RES-CHIP 10K 5%	1/16W	C8135	1-126-964-11	ELECT 10UF	20.00% 50V
R7380	1-216-833-11	RES-CHIP 10K 5%	1/16W	C8136	1-126-964-11	ELECT 10UF	20.00% 50V
R7381	1-216-833-11	RES-CHIP 10K 5%	1/16W	C8140	1-164-004-11	CERAMIC CHIP 0.1UF	10.00% 25V
R7382	1-202-549-00	SOLID 100 20%	1/2W	C8207	1-165-176-91	CERAMIC CHIP 0.047UF	10.00% 16V
R7383	1-216-399-00	METAL OXIDE 6.8 5%	3W	C8208	1-162-970-91	CERAMIC CHIP 0.01UF	10.00% 25V
R7384	1-216-399-00	METAL OXIDE 6.8 5%	3W	C8209	1-164-315-11	CERAMIC CHIP 470PF	5.00% 50V
				C8210	1-162-964-11	CERAMIC CHIP 0.001UF	10.00% 50V

REF.NO.	PART.NO	DESCRIPTION	REMARK	REF.NO.	PART.NO	DESCRIPTION	REMARK
C8801	1-126-947-11	ELECT	47UF	20.00%	25V		
C8802	1-126-960-11	ELECT	1UF	20.00%	50V		
C8803	1-126-960-11	ELECT	1UF	20.00%	50V		
C8804	1-102-114-00	CERAMIC	470PF	10.00%	50V		
C8805	1-102-114-00	CERAMIC	470PF	10.00%	50V		
C8808	1-102-030-00	CERAMIC	330PF	10.00%	500V		
C8809	1-102-030-00	CERAMIC	330PF	10.00%	500V		
C8810	1-107-368-11	MYLAR	0.047UF	10.00%	200V		
C8811	1-107-368-11	MYLAR	0.047UF	10.00%	200V		
C8812	1-162-131-11	CERAMIC	220PF	10.00%	2KV		
C8813	1-107-444-11	CERAMIC	100PF	10.00%	2KV		
C8814	1-117-640-11	FILM	6800PF	3.00%	1.2KV		
C8815	1-117-835-11	FILM	6200PF	3.00%	1.5KV		
C8816	1-162-964-11	CERAMIC CHIP	0.001UF	10.00%	50V		
C8817	1-125-893-11	FILM	680PF	3.00%	1.5KV		
C8818	1-125-893-11	FILM	680PF	3.00%	1.5KV		
C8819	1-125-893-11	FILM	680PF	3.00%	1.5KV		
C8820	1-125-893-11	FILM	680PF	3.00%	1.5KV		
C8824	1-107-846-11	FILM	0.1UF	5.00%	250V		
C8825	1-117-663-11	FILM	0.22UF	5.00%	250V		
C8826	1-115-518-11	FILM	0.47UF	5.00%	250V		
C8827	1-117-660-21	FILM	0.12UF	5.00%	250V		
C8828	1-127-681-11	FILM MELF	10000PF	2%	100V		
C8829	1-127-680-11	FILM MELF	4700PF	2%	100V		
C8830	1-107-655-11	ELECT	47UF	20.00%	250V		
C8831	1-102-228-00	CERAMIC	470PF	10.00%	500V		
C8832	1-126-941-11	ELECT	470UF	20.00%	25V		
C8833	1-126-941-11	ELECT	470UF	20.00%	25V		
C8834	1-102-228-00	CERAMIC	470PF	10.00%	500V		
C8835	1-102-228-00	CERAMIC	470PF	10.00%	500V		
C8836	1-123-024-21	ELECT	33UF		160V		
C8837	1-106-375-12	MYLAR	0.022UF	10.00%	250V		
C8840	1-165-176-11	CERAMIC CHIP	0.047UF	10.00%	16V		
C8841	1-126-947-11	ELECT	47UF	20.00%	25V		
C8844	1-115-513-21	FILM	0.18UF	5.00%	250V		
C8851	1-162-131-11	CERAMIC	220PF	10.00%	2KV		
C8852	1-162-129-00	CERAMIC	150PF	10.00%	2KV		
C8853	1-129-898-00	FILM	0.0022UF	5.00%	630V		
C8855	1-136-205-11	MYLAR	0.022UF	10.00%	400V		
C8856	1-102-030-00	CERAMIC	330PF	10.00%	500V		
C8860	1-162-964-11	CERAMIC CHIP	0.001UF	10.00%	50V		
C8861	1-162-927-11	CERAMIC CHIP	100PF	5.00%	50V		
C8869	1-162-964-11	CERAMIC CHIP	0.001UF	10.00%	50V		
		< CONNECTOR >					
CN8600	*1-564-509-11	PLUG, CONNECTOR	6P				
CN8601	*1-564-506-11	PLUG, CONNECTOR	3P				
CN8611	*1-785-270-12	PIN, DY CONNECTOR	(PC BOARD)				
CN8612	*1-564-511-51	PLUG, CONNECTOR	8P				
CN8614	*1-564-508-11	PLUG, CONNECTOR	5P				
CN8616	1-695-915-11	TAB (CONTACT)					
CN8620	*1-764-333-11	PLUG, CONNECTOR	10P				
CN8810	*1-564-510-11	PLUG, CONNECTOR	7P				
		< DIODE >					
D8102	8-719-081-97	DIODE	MMDL914T1				
D8103	8-719-081-97	DIODE	MMDL914T1				
D8104	8-719-081-97	DIODE	MMDL914T1				
D8105	8-719-081-97	DIODE	MMDL914T1				
D8107	8-719-081-97	DIODE	MMDL914T1				
D8108	8-719-921-40	DIODE	MTZJ-4.7C				
D8128	8-719-081-97	DIODE	MMDL914T1				
D8129	8-719-081-97	DIODE	MMDL914T1				
D8132	8-719-081-97	DIODE	MMDL914T1				
D8133	8-719-081-97	DIODE	MMDL914T1				
D8198	1-535-143-61	LEAD, JUMPER	(5.0MM)				
D8199	8-719-081-97	DIODE	MMDL914T1				
D8611	8-719-081-97	DIODE	MMDL914T1				
D8612	8-719-081-97	DIODE	MMDL914T1				
D8803	8-719-908-03	DIODE	GP08D				
D8805	8-719-302-43	DIODE	EL1Z				
D8806	8-719-979-85	DIODE	EGP20G				
D8807	8-719-085-12	DIODE	BYV98-200-RAS 15/12				
D8808	8-719-085-12	DIODE	BYV98-200-RAS 15/12				
D8811	8-719-110-41	DIODE	RD15ES-B2				
D8818	8-719-109-89	DIODE	RD5.6ESE2				
D8819	8-719-050-38	DIODE	M1MA152WK-T1				
D8820	8-719-081-97	DIODE	MMDL914T1				
D8851	8-719-970-87	DIODE	ERA38-06				
D8856	8-719-081-97	DIODE	MMDL914T1				
D8857	8-719-110-41	DIODE	RD15ES-B2				
D8858	8-719-081-97	DIODE	MMDL914T1				
		< FERRITE BEAD >					
FB8806	1-410-397-31	INDUCTOR			1.1UH		
FB8807	1-410-397-21	FERRITE			1.1UH		
		< IC >					
IC8100	8-759-450-95	IC	LM393N				
IC8101	8-759-450-95	IC	LM393N				
IC8102	8-759-638-79	IC	NJM3404AD-W				
IC8103	8-759-450-95	IC	LM393N				
		< COIL >					
L8801	1-410-397-21	FERRITE			1.1UH		
L8802	1-410-397-21	FERRITE			1.1UH		
L8803	1-410-397-21	FERRITE			1.1UH		
L8805	1-408-947-00	INDUCTOR			2.2MH		
L8851	1-535-143-61	LEAD, JUMPER	(5.0MM)				

REF.NO.	PART.NO	DESCRIPTION	REMARK	REF.NO.	PART.NO	DESCRIPTION	REMARK
	< FILTER >						
LF8801	1-406-985-11	INDUCTOR	2.2MH	R8102	1-216-825-11	RES-CHIP	2.2K 5% 1/16W
LF8851	1-406-674-11	INDUCTOR	3.3MH	R8103	1-216-825-11	RES-CHIP	2.2K 5% 1/16W
	< TRANSISTOR >			R8104	1-216-825-11	RES-CHIP	2.2K 5% 1/16W
Q8100	8-729-010-29	TRANSISTOR MSD601-RST1		R8105	1-216-821-11	RES-CHIP	1K 5% 1/16W
Q8101	8-729-010-29	TRANSISTOR MSD601-RST1		R8106	1-216-825-11	RES-CHIP	2.2K 5% 1/16W
Q8102	8-729-010-29	TRANSISTOR MSD601-RST1					
Q8103	8-729-010-29	TRANSISTOR MSD601-RST1		R8107	1-208-792-91	RES-CHIP	2.7K 5% 1/10W
Q8104	8-729-010-29	TRANSISTOR MSD601-RST1		R8108	1-208-792-91	RES-CHIP	2.7K 5% 1/10W
				R8109	1-208-814-91	METAL CHIP	22K 0.5% 1/10W
Q8105	8-729-010-29	TRANSISTOR MSD601-RST1		R8110	1-208-814-91	METAL CHIP	22K 0.5% 1/10W
Q8106	8-729-010-29	TRANSISTOR MSD601-RST1		R8111	1-216-825-11	RES-CHIP	2.2K 5% 1/16W
Q8107	8-729-010-29	TRANSISTOR MSD601-RST1					
Q8108	8-729-010-05	TRANSISTOR MSB709-RT1		R8112	1-216-825-11	RES-CHIP	2.2K 5% 1/16W
Q8110	8-729-010-05	TRANSISTOR MSB709-RT1		R8113	1-216-833-11	RES-CHIP	10K 5% 1/16W
				R8114	1-216-833-11	RES-CHIP	10K 5% 1/16W
Q8112	8-729-010-29	TRANSISTOR MSD601-RST1		R8115	1-216-845-91	RES-CHIP	100K 5% 1/16W
Q8113	8-729-010-29	TRANSISTOR MSD601-RST1		R8116	1-216-845-91	RES-CHIP	100K 5% 1/16W
Q8115	8-729-010-05	TRANSISTOR MSB709-RT1					
Q8118	8-729-010-29	TRANSISTOR MSD601-RST1		R8117	1-216-833-11	RES-CHIP	10K 5% 1/16W
Q8119	8-729-010-05	TRANSISTOR MSB709-RT1		R8118	1-216-833-11	RES-CHIP	10K 5% 1/16W
				R8119	1-216-833-11	RES-CHIP	10K 5% 1/16W
Q8120	8-729-010-05	TRANSISTOR MSB709-RT1		R8120	1-216-825-11	RES-CHIP	2.2K 5% 1/16W
Q8122	8-729-010-05	TRANSISTOR MSB709-RT1		R8121	1-216-825-11	RES-CHIP	2.2K 5% 1/16W
Q8123	8-729-010-05	TRANSISTOR MSB709-RT1					
Q8125	8-729-010-29	TRANSISTOR MSD601-RST1		R8122	1-216-825-11	RES-CHIP	2.2K 5% 1/16W
Q8126	8-729-010-05	TRANSISTOR MSB709-RT1		R8123	1-216-841-11	RES-CHIP	47K 5% 1/16W
				R8124	1-216-821-91	RES-CHIP	1K 5% 1/10W
Q8127	8-729-010-05	TRANSISTOR MSB709-RT1		R8125	1-216-825-11	RES-CHIP	2.2K 5% 1/16W
Q8128	8-729-010-29	TRANSISTOR MSD601-RST1		R8126	1-216-815-11	RES-CHIP	330 5% 1/16W
Q8132	8-729-421-19	TRANSISTOR UN2213					
Q8135	8-729-010-29	TRANSISTOR MSD601-RST1		R8127	1-208-794-11	METAL CHIP	3.3K 0.5% 1/10W
Q8136	8-729-010-05	TRANSISTOR MSB709-RT1		R8128	1-208-822-11	METAL CHIP	47K 0.5% 1/10W
				R8129	1-208-822-11	METAL CHIP	47K 0.5% 1/10W
Q8137	8-729-010-29	TRANSISTOR MSD601-RST1		R8130	1-208-846-11	METAL CHIP	470K 0.5% 1/10W
Q8201	8-729-010-29	TRANSISTOR MSD601-RST1		R8131	1-216-815-11	RES-CHIP	330 5% 1/16W
Q8202	8-729-010-29	TRANSISTOR MSD601-RST1					
Q8203	8-729-010-05	TRANSISTOR MSB709-RT1		R8132	1-216-815-11	RES-CHIP	330 5% 1/16W
Q8455	8-729-010-29	TRANSISTOR MSD601-RST1		R8133	1-216-815-11	RES-CHIP	330 5% 1/16W
				R8136	1-208-822-11	METAL CHIP	47K 0.5% 1/10W
Q8801	8-729-048-47	TRANSISTOR 2SC2688 (5) -LK		R8137	1-208-822-11	METAL CHIP	47K 0.5% 1/10W
Q8802	8-729-048-47	TRANSISTOR 2SC2688 (5) -LK		R8138	1-208-822-11	METAL CHIP	47K 0.5% 1/10W
Q8803	8-729-056-16	TRANSISTOR 2SC5698-CA					
Q8804	8-729-056-17	TRANSISTOR 2SC5696-SONY-CA		R8139	1-208-822-11	METAL CHIP	47K 0.5% 1/10W
Q8805	8-729-050-48	TRANSISTOR IRF614-005		R8140	1-216-825-11	RES-CHIP	2.2K 5% 1/16W
				R8141	1-208-814-91	METAL CHIP	22K 0.5% 1/10W
Q8806	8-729-047-59	TRANSISTOR STP5NB40FP		R8142	1-208-803-11	METAL CHIP	7.5K 0.5% 1/10W
Q8807	8-729-421-19	TRANSISTOR UN2213		R8143	1-216-825-11	RES-CHIP	2.2K 5% 1/16W
Q8822	8-729-010-29	TRANSISTOR MSD601-RST1					
Q8823	8-729-024-83	TRANSISTOR MUN2111T1		R8144	1-216-841-11	RES-CHIP	47K 5% 1/16W
Q8851	6-550-012-01	TRANSISTOR STP5NB40 (030Y)		R8145	1-216-825-11	RES-CHIP	2.2K 5% 1/16W
	< RESISTOR >			R8146	1-208-790-11	METAL CHIP	2.2K 0.5% 1/10W
R8100	1-216-813-11	RES-CHIP	220 5% 1/16W	R8149	1-216-828-11	RES-CHIP	3.9K 5% 1/16W
R8101	1-216-813-11	RES-CHIP	220 5% 1/16W	R8150	1-216-837-91	RES-CHIP	22K 5% 1/16W
				R8153	1-216-295-91	SHORT	0
				R8154	1-208-782-11	METAL CHIP	1K 0.5% 1/10W
				R8155	1-208-789-91	RES-CHIP	2K 0.5% 1/10W
				R8158	1-208-794-11	METAL CHIP	3.3K 0.5% 1/10W
				R8159	1-216-295-91	SHORT	0

REF.NO.	PART.NO	DESCRIPTION	REMARK	REF.NO.	PART.NO	DESCRIPTION	REMARK
R8160	1-216-295-91	SHORT	0	R8806	1-249-411-11	CARBON	330 5% 1/4W
R8161	1-208-804-11	METAL CHIP	8.2K 0.5% 1/10W	R8807	1-249-411-11	CARBON	330 5% 1/4W
R8162	1-216-821-11	RES-CHIP	1K 5% 1/16W	R8808	1-260-340-11	CARBON	10K 5% 1/2W
R8163	1-216-833-11	RES-CHIP	10K 5% 1/16W	R8809	1-260-340-11	CARBON	10K 5% 1/2W
R8164	1-208-814-91	METAL CHIP	22K 0.5% 1/10W	R8810	1-215-895-11	METAL OXIDE	3.3K 5% 2W
R8165	1-208-830-11	METAL CHIP	100K 0.5% 1/10W	R8811	1-215-896-51	METAL	4.7K 5% 2W
R8168	1-216-829-11	RES-CHIP	4.7K 5% 1/16W	R8812	1-216-461-51	METAL	5.6K 5% 2W
R8169	1-208-830-11	METAL CHIP	100K 0.5% 1/10W	R8813	1-215-895-11	METAL OXIDE	3.3K 5% 2W
R8170	1-216-815-11	RES-CHIP	330 5% 1/16W	R8814	1-215-880-00	METAL OXIDE	10 5% 2W
R8171	1-216-825-11	RES-CHIP	2.2K 5% 1/16W	R8815	1-215-880-00	METAL OXIDE	10 5% 2W
R8174	1-216-834-11	RES-CHIP	12K 5% 1/16W	R8816	1-216-365-51	METAL	0.47 5% 2W
R8175	1-216-831-91	RES-CHIP	6.8K 5% 1/16W	R8817	1-216-361-00	METAL OXIDE	0.22 5% 2W
R8176	1-216-838-91	RES-CHIP	27K 5% 1/16W	R8818	1-249-405-11	CARBON	100 5% 1/4W
R8177	1-216-830-91	RES-CHIP	5.6K 5% 1/16W	R8819	1-247-807-31	CARBON	100 5% 1/4W
R8179	1-216-295-91	SHORT	0	R8831	1-260-124-11	CARBON	120K 5% 1/2W
R8180	1-216-825-11	RES-CHIP	2.2K 5% 1/16W	R8833	1-202-972-61	FUSIBLE	1 5% 1/4W
R8181	1-216-295-91	SHORT	0	R8834	1-260-288-11	CARBON	0.47 5% 1/2W
R8182	1-216-841-11	RES-CHIP	47K 5% 1/16W	R8835	1-260-288-11	CARBON	0.47 5% 1/2W
R8183	1-216-825-11	RES-CHIP	2.2K 5% 1/16W	R8836	1-249-432-11	CARBON	18K 5% 1/4W
R8186	1-216-827-11	RES-CHIP	3.3K 5% 1/16W	R8837	1-215-894-11	METAL OXIDE	2.2K 5% 2W
R8188	1-216-829-91	RES-CHIP	4.7K 5% 1/16W	R8838	1-214-905-11	METAL	47K 1% 1/2W
R8189	1-216-822-91	RES-CHIP	1.2K 5% 1/16W	R8839	1-215-894-11	METAL OXIDE	2.2K 5% 2W
R8190	1-216-825-11	RES-CHIP	2.2K 5% 1/16W	R8840	1-247-843-11	CARBON	3.3K 5% 1/4W
R8191	1-215-925-11	METAL OXIDE	22K 5% 3W	R8842	1-260-123-11	CARBON	100K 5% 1/2W
R8196	1-249-377-11	CARBON	0.47 5% 1/4W	R8843	1-216-833-11	RES-CHIP	10K 5% 1/16W
R8197	1-216-841-91	RES-CHIP	47K 5% 1/16W	R8844	1-216-829-11	RES-CHIP	4.7K 5% 1/16W
R8203	1-208-789-91	RES-CHIP	2K 0.5% 1/10W	R8845	1-216-829-11	RES-CHIP	4.7K 5% 1/16W
R8204	1-216-295-91	SHORT	0	R8851	1-260-123-11	CARBON	100K 5% 1/2W
R8205	1-216-295-91	SHORT	0	R8852	1-260-123-11	CARBON	100K 5% 1/2W
R8206	1-216-849-91	RES-CHIP	220K 5% 1/16W	R8853	1-260-123-11	CARBON	100K 5% 1/2W
R8207	1-216-846-91	RES-CHIP	120K 5% 1/16W	R8854	1-247-847-91	CARBON	4.7K 5% 1/4W
R8209	1-216-295-91	SHORT	0	R8856	1-216-485-11	METAL OXIDE	5.6K 5% 3W
R8210	1-216-825-11	RES-CHIP	2.2K 5% 1/16W	R8857	1-216-485-11	METAL OXIDE	5.6K 5% 3W
R8211	1-216-833-11	RES-CHIP	10K 5% 1/16W	R8858	1-215-922-11	METAL OXIDE	6.8K 5% 3W
R8212	1-216-825-11	RES-CHIP	2.2K 5% 1/16W	R8859	1-215-922-11	METAL OXIDE	6.8K 5% 3W
R8215	1-208-814-91	METAL CHIP	22K 0.5% 1/10W	R8865	1-216-829-11	RES-CHIP	4.7K 5% 1/16W
R8216	1-208-812-91	RES-CHIP	18K 0.5% 1/10W	R8866	1-216-295-91	SHORT	0
R8217	1-216-833-11	RES-CHIP	10K 5% 1/16W	R8867	1-216-829-11	RES-CHIP	4.7K 5% 1/16W
R8219	1-216-841-11	RES-CHIP	47K 5% 1/16W	R8869	1-216-837-11	RES-CHIP	22K 5% 1/16W
R8220	1-216-834-11	RES-CHIP	12K 5% 1/16W	R8870	1-216-837-11	RES-CHIP	22K 5% 1/16W
R8221	1-216-837-91	RES-CHIP	22K 5% 1/16W	R8885	1-208-854-11	METAL CHIP	1M 0.5% 1/10W
R8223	1-164-230-91	CERAMIC CHIP	220PF 5% 50V	R8886	1-208-836-91	RES-CHIP	180K 0.5% 1/10W
R8224	1-216-827-91	RES-CHIP	3.3K 5% 1/16W	R8887	1-216-841-11	RES-CHIP	47K 5% 1/16W
R8456	1-216-845-11	RES-CHIP	100K 5% 1/16W	R8888	1-249-441-11	CARBON	100K 5% 1/4W
R8457	1-216-834-11	RES-CHIP	12K 5% 1/16W	R8895	1-249-443-11	CARBON	0.47 5% 1/4W
R8458	1-216-841-11	RES-CHIP	47K 5% 1/16W	R8896	1-249-443-11	CARBON	0.47 5% 1/4W
R8459	1-216-825-11	RES-CHIP	2.2K 5% 1/16W	R8897	1-215-485-00	METAL	470K 1% 1/4W
R8800	1-247-895-91	CARBON	470K 5% 1/4W	R8898	1-215-493-00	METAL	1M 1% 1/4W
R8804	1-249-408-11	CARBON	180 5% 1/4W	R8899	1-215-493-00	METAL	1M 1% 1/4W
R8805	1-249-408-11	CARBON	180 5% 1/4W				

Note : The components identified by shading and marked Δ are critical for safety. Replace only with the part numbers specified in the parts list.

D

H2

VM

REF.NO.	PART.NO	DESCRIPTION	REMARK	REF.NO.	PART.NO	DESCRIPTION	REMARK
< TRANSFORMER >				*A-1644-119-A VM Board, Complete			
T8800	Δ 1-453-340-31	TRANSFORMER ASSY, FLYBACK (NX-4522//Z2B4)		4-382-854-01	SCREW (M3X8) , P, SW (+)		
T8801	1-437-430-11	TRANSFORMER, FERRITE (HDT)		< CAPACITOR >			
T8802	1-437-430-11	TRANSFORMER, FERRITE (HDT)		C7401	1-126-935-11	ELECT 470UF	20.00% 16V
T8852	1-433-487-11	TRANSFORMER, FERRITE (DFT)		C7403	1-126-935-11	ELECT 470UF	20.00% 6.3V
*A-1647-043-A H2 Board, Complete				C7404	1-115-339-11	CERAMIC CHIP 0.1UF	10.00% 50V
< CAPACITOR >				C7405	1-126-933-11	ELECT 100UF	20.00% 16V
C2906	1-126-960-11	ELECT 1UF	20.00% 50V	C7406	1-126-935-11	ELECT 470UF	20.00% 6.3V
C2907	1-126-960-11	ELECT 1UF	20.00% 50V	C7407	1-107-364-11	MYLAR 0.01UF	10.00% 200V
C2913	1-162-964-11	CERAMIC CHIP 0.001UF	10.00% 50V	C7408	1-107-364-11	MYLAR 0.01UF	10.00% 200V
C2914	1-162-964-11	CERAMIC CHIP 0.001UF	10.00% 50V	C7409	1-107-649-11	ELECT 2.2UF	20.00% 250V
< CONNECTOR >				C7410	1-130-471-00	MYLAR 0.001UF	5.00% 50V
CN2900	1-779-947-11	TERMINAL BLOCK, S		C7411	1-130-471-00	MYLAR 0.001UF	5.00% 50V
CN2906	*1-564-524-11	PLUG, CONNECTOR 9P		C7412	1-126-935-11	ELECT 470UF	20.00% 16V
CN2908	1-564-521-11	PLUG, CONNECTOR 6P		C7413	1-126-935-11	ELECT 470UF	20.00% 16V
< JACK >				C7414	1-107-652-11	ELECT 10UF	20.00% 250V
J2900	1-750-264-11	JACK		C7415	1-107-363-91	MYLAR 0.0068UF	10.00% 200V
< COIL >				C7418	1-163-021-91	CERAMIC CHIP 0.01UF	10.00% 50V
L0904	1-410-119-11	INDUCTOR 1MH		C7421	1-163-251-11	CERAMIC CHIP 100PF	5.00% 50V
L2900	1-535-143-61	LEAD, JUMPER (5.0MM)		< CONNECTOR >			
L2901	1-535-143-61	LEAD, JUMPER (5.0MM)		CN7442	*1-564-508-11	PLUG, CONNECTOR 5P	
L2902	1-535-143-61	LEAD, JUMPER (5.0MM)		CN7443	*1-564-506-11	PLUG, CONNECTOR 3P	
L2903	1-535-143-61	LEAD, JUMPER (5.0MM)		CN7444	*1-770-723-11	CONNECTOR, BOARD TO BOARD 8P	
< RESISTOR >				< DIODE >			
R912	1-535-143-61	LEAD, JUMPER (5.0MM)		D7400	8-719-991-33	DIODE 1SS133T-77	
R0901	1-249-427-11	CARBON 6.8K 5%	1/4W	D7401	8-719-991-33	DIODE 1SS133T-77	
R0902	1-249-429-11	CARBON 10K 5%	1/4W	D7402	1-535-143-61	LEAD, JUMPER (5.0MM)	
R0911	1-249-419-11	CARBON 1.5K 5%	1/4W	D7403	8-719-991-33	DIODE 1SS133T-77	
R0913	1-247-843-11	CARBON 3.3K 5%	1/4W	D7404	8-719-991-33	DIODE 1SS133T-77	
R0914	1-249-431-11	CARBON 15K 5%	1/4W	D7405	8-719-924-11	DIODE MTZJ-T-77-22	
R2903	1-249-406-11	CARBON 120 5%	1/4W	D7406	8-719-924-11	DIODE MTZJ-T-77-22	
R2904	1-249-406-11	CARBON 120 5%	1/4W	< FERRITE BEAD >			
R2909	1-247-895-91	CARBON 470K 5%	1/4W	FB7400	1-535-143-61	LEAD, JUMPER (5.0MM)	
R2910	1-247-895-91	CARBON 470K 5%	1/4W	FB7401	1-535-143-61	LEAD, JUMPER (5.0MM)	
R2915	1-249-406-11	CARBON 120 5%	1/4W	< COIL >			
R2916	1-249-406-11	CARBON 120 5%	1/4W	L7400	1-414-934-21	INDUCTOR 10UH	
R2917	1-249-412-11	CARBON 390 5%	1/4W	L7402	1-414-934-21	INDUCTOR 10UH	
R2918	1-249-412-11	CARBON 390 5%	1/4W	L7403	1-414-934-21	INDUCTOR 10UH	
< SWITCH >				< TRANSISTOR >			
S0900	1-692-979-11	SWITCH, TACTILE		Q7400	8-729-010-29	TRANSISTOR MSD601-RST1	
S0901	1-692-979-11	SWITCH, TACTILE		Q7401	8-729-010-29	TRANSISTOR MSD601-RST1	
S0902	1-692-979-11	SWITCH, TACTILE		Q7402	8-729-010-29	TRANSISTOR MSD601-RST1	

Note : The components identified by shading and marked Δ are critical for safety. Replace only with the part numbers specified in the parts list.

REF.NO.	PART.NO	DESCRIPTION	REMARK	REF.NO.	PART.NO	DESCRIPTION	REMARK
Q7403	8-729-119-78	TRANSISTOR 2SC2785-HFE		MISCELLANEOUS			
Q7404	8-729-216-22	TRANSISTOR 2SA1162-G		Δ 1-571-433-21	SWITCH, PUSH (AC POWER)		
Q7405	8-729-026-39	TRANSISTOR 2SA933AS-QT		Δ 1-765-286-11	CORD, POWER		
Q7406	8-729-045-05	TRANSISTOR 2SA2005		1-424-855-11	COIL, CHOKE		
Q7407	8-729-045-04	TRANSISTOR 2SC5511		8-598-535-11	FRONTEND (BTF-EF411) (KV-29LS60B)		
Q7408	8-729-216-22	TRANSISTOR 2SA1162-G		8-598-533-01	FRONTEND (BTF-EC411) (KV-29LS60E/29LS60K)		
Q7409	8-729-010-29	TRANSISTOR MSD601-RST1		Δ 1-453-340-31	TRANSFORMER ASSY, FLYBACK (NX-4522//Z2B4)		
	< RESISTOR >			1-529-989-11	SPEAKER (8CM)		
R7400	1-216-017-91	RES-CHIP 47 5% 1/10W		1-529-408-11	SPEAKER (4.2x24CM)		
R7401	1-216-061-91	RES-CHIP 3.3K 5% 1/10W		Δ 8-735-053-05	PICTURE TUBE (M68LNH060X)		
R7402	1-216-041-00	RES-CHIP 470 5% 1/10W		8-451-504-31	DEFLECTION YOKE (Y29RSC-S)		
R7403	1-249-393-11	CARBON 10 5% 1/4W		1-452-896-11	COIL, NA ROTATION (RT-200)		
R7404	1-249-413-11	CARBON 470 5% 1/4W		Δ 1-424-887-11	COIL, DEGAUSSING		
R7405	1-216-065-91	RES-CHIP 4.7K 5% 1/10W		8-453-011-41	NECK ASSY, (NA299-C)		
R7407	1-249-411-11	CARBON 330 5% 1/4W		Δ 1-251-946-11	CAP ASSY, HIGH-VOLTAGE		
R7409	1-216-029-00	RES-CHIP 150 5% 1/10W		1-452-094-00	MAGNET, ROTATABLE DISK; 15MM		
R7410	1-216-017-91	RES-CHIP 47 5% 1/10W		1-452-032-00	MAGNET, DISK; 10MM		
R7411	1-216-017-91	RES-CHIP 47 5% 1/10W		ACCESSORIES AND PACKAGING MATERIALS			
R7412	1-216-017-91	RES-CHIP 47 5% 1/10W		*4-029-168-01	BAG, PROTECTION		
R7413	1-249-414-11	CARBON 560 5% 1/4W		*4-205-942-01	INDIVIDUAL CARTON		
R7414	1-249-432-11	CARBON 18K 5% 1/4W		4-206-052-21	INSTRUCTION MANUAL (KV-29LS60B) (GERMAN/FRENCH/ITALIAN/DUTCH)		
R7415	1-247-739-11	CARBON 100 5% 1/2W		4-206-052-11	INSTRUCTION MANUAL (KV-29LS60E) (GERMAN/GREEK/TURKISH)		
R7416	1-249-389-11	CARBON 4.7 5% 1/4W		4-206-052-41	INSTRUCTION MANUAL (KV-29LS60E) (ITALIAN)		
R7417	1-249-432-11	CARBON 18K 5% 1/4W		4-206-052-51	INSTRUCTION MANUAL (KV-29LS60E) (DANISH/SPANISH/NORWEGIAN/PORTUGUESE SWEDISH/FINNISH)		
R7418	1-249-414-11	CARBON 560 5% 1/4W		4-206-052-31	INSTRUCTION MANUAL (KV-29LS60K) (ENGLISH/BULGARIAN/CZECH/HUNGARIAN POLISH/RUSSIAN)		
R7419	1-249-421-11	CARBON 2.2K 5% 1/4W		REMOTE COMMANDER			
R7420	1-249-421-11	CARBON 2.2K 5% 1/4W		1-476-702-11	REMOTE COMMANDER (RM-932)		
R7421	1-249-389-91	CARBON 4.7 5% 1/4W					
R7422	1-249-405-11	CARBON 100 5% 1/4W					
R7423	1-215-915-11	METAL OXIDE 470 5% 3W					
R7427	1-216-025-11	RES-CHIP 100 5% 1/10W					
R7428	1-216-033-00	RES-CHIP 220 5% 1/10W					
R7429	1-216-033-00	RES-CHIP 220 5% 1/10W					
R7432	1-216-065-91	RES-CHIP 4.7K 5% 1/10W					
R7433	1-247-787-91	RES-CHIP 15 5% 1/4W					
R7434	1-249-395-11	CARBON 15 5% 1/4W					
R7435	1-216-033-91	RES-CHIP 220 5% 1/10W					
R7436	1-216-049-91	RES-CHIP 1K 5% 1/10W					

TRACE

A new TV Repair Assistance Tool that combines ease of use and powerful PC software tools to allow you to save valuable time during many TV repairs.



The TRACE interface connects to the PC's serial port. It provides connection to the TV's I²C bus and can be provided with an InfraRed transmitter (optional).

The interface is powered by a standard 9 V PP3 battery for portable use, and can also be powered by an external 9V/25mA DC power supply.

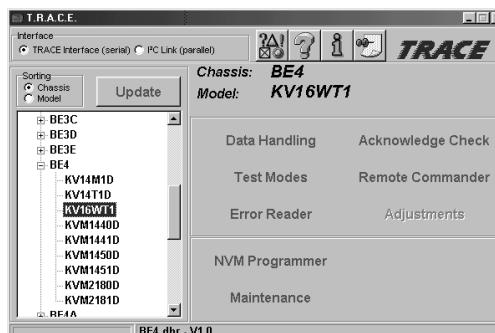
The TRACE software that is supplied with the interface allows you to:

- Read, restore and compare NVM contents via the I²C bus
- Acknowledge check of all I²C devices in the TV set
- Read Error Codes (emulation of the Error Reader tool)

With the optional IR Add-on kit, the following features can be added:

- Remote Commander emulation
- User programmable Functional Check through Infrared
- Fast and documented Test Mode setting of all Sony TV chassis

Additional features such as Adjustments and Troubleshooting are available in chassis-dependent software modules. Please contact your local Sony Service organisation for the latest information.



Note: For workshops already using the existing I²C Link parallel port interface (9-948-320-30), this software can be used as well, replacing the TV Data Handling software (9-948-340-50), but Error Reader and IR functions can only be accessed with the TRACE interface.

Partnumbers: TRACE Starter Kit (TRACE interface + software): 9-948-320-70
 TRACE Software (for users of the I²C Link interface): 9-948-340-80
 TRACE IR Add-on (IR interface + Remote Commander software): 9-948-320-80

PC requirements: IBM-compatible PC with operating system Windows95, Windows98, or WindowsNT*.

* WindowsNT only supported with TRACE interface

Sony Corporation
Sony UK
Service Promotions Dept.

English
 01IP7100-1
 Printed in U.K.
 © 2001.9