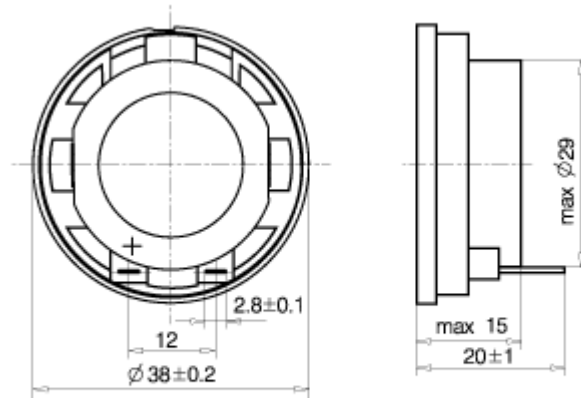




Type	BLS38-1
Rated Impedance( $\Omega$ )	50 $\pm$ 15%
Rated(Max.) Power(W)	0.25(0.5)
Resonant Frequency(Hz)	450 $\pm$ 20%
Rated Freq.Range(Hz)	f <sub>0</sub> ~5000
Sound Pressure Level(dB)	82 $\pm$ 3
Magnet(g)	11
Operating Temperature( $^{\circ}$ C)	-10~+40



Unit:mm

