

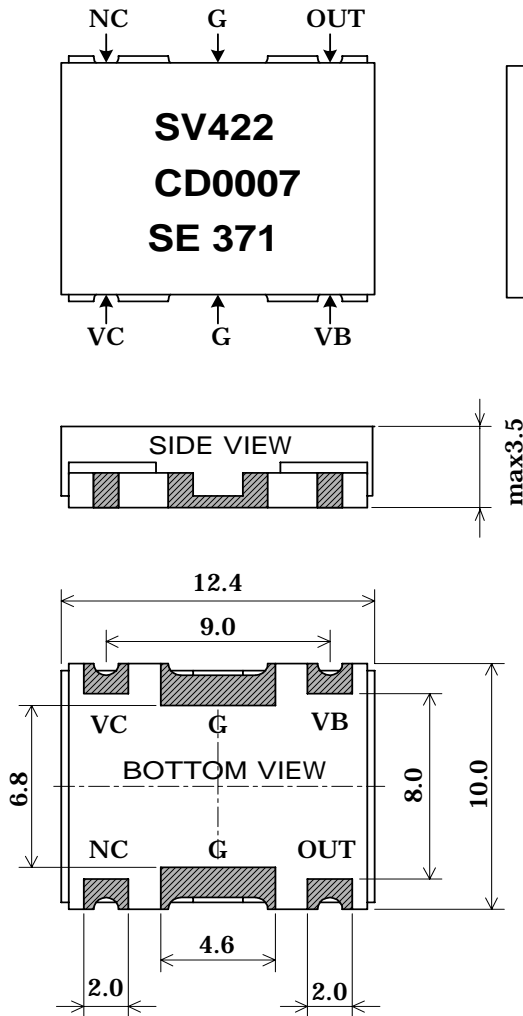
1. APPLICATION

W-CDMA IF

2. PART No.

SV422CD0007

3. DIMENSIONS

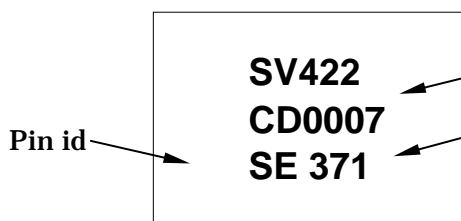


OUT : RF OUTPUT
 VB : POWER SUPPLY
 VC : CONTROL VOLT.
 G : GROUND
 NC : GROUND
 NOTE : There is no mark of terminals on the case.

: Terminal electrodes

Unit : mm
 Tolerances :
 Unless otherwise specified, +/-0.3mm

4. MARKING



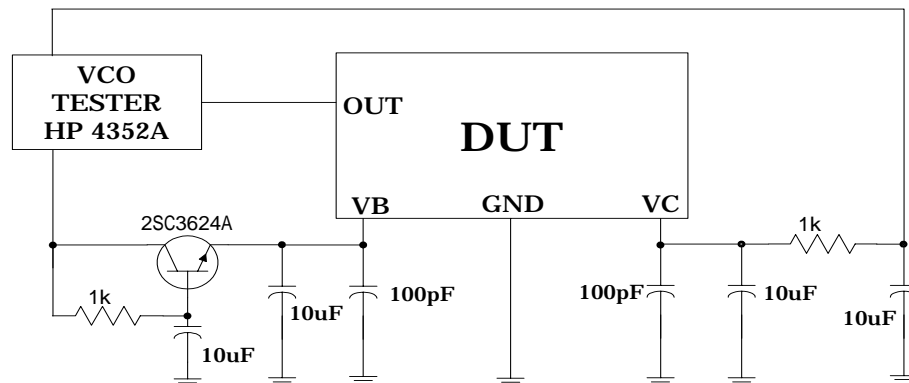
PART No.
 SE : Manufacture's Mark
 3 : last numeral of production year
 7 : production month 1,2,3...X,Y,Z
 1 : product No.

5. LIMITING VALUES

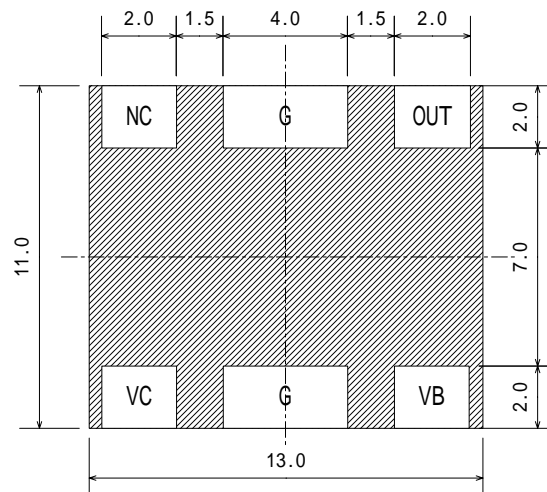
Item	Test Condition	Value			Unit
		min.	typ.	max.	
Supply Voltage	VB	4.0	4.2	4.4	V
Control Voltage Range	VC	0.5	1.5	2.5	V
Current Consumption	VB=4.2V, -20Deg.C up to +75Deg.C	-	6	10	mA
Oscillation Frequency	VC=0.5V, -20Deg.C up to +75Deg.C	-	417.2	422.16	MHz
	VC=2.5V, -20Deg.C up to +75Deg.C	422.16	427.2	-	
Control Voltage Sensitivity	VC=0.5V up to 2.5V average	3	5	7	MHz/V
Output Level	Load=50ohm, +25Deg.C +/- 5Deg.C	-4.0	-1.0	+2.0	dBm
	Load=50ohm, -20Deg.C up to +75Deg.C	-5.0	-	+3.0	
Phase Noise	offset=10kHz, -20Deg.C up to +75Deg.C	105	113	-	dBc/Hz
Pushing Figure	VB=4.2V +/- 0.2V, ref=4.2V	-0.5	-	+0.5	MHz
Pulling Figure	VSWR=2 for all phase, ref=50ohm	-0.5	-	+0.5	MHz
Temperature Stability	-20Deg.C up to +75Deg.C, ref=+25Deg.C	-2	-	+2	MHz
Harmonic Suppression	Till Third harmonics	-	-30	-10	dBc
Operating Temp. Range		-20	-	+75	Deg.C
Storage Temp. Range		-40	-	+85	Deg.C

Note: Unless otherwise VB=4.2V, VC=1.5V, Ta=+25Deg.C +/- 5Deg.C, Load=50ohm

6. MEASUREMENT PROCEDURE



7. RECOMMENDED LAND PATTERN



Note :

Any line pattern shall be avoided on shaded portion.

Unit : mm