



M.S.KENNEDY CORP.

# DUAL +/- VOLTAGE REGULATOR

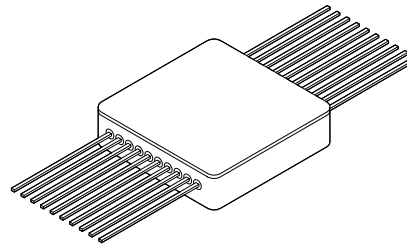
# 5211 SERIES

4707 Dey Road Liverpool, N.Y. 13088

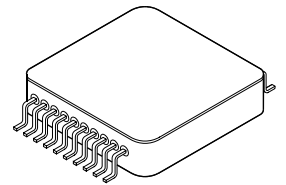
(315) 701-6751

### FEATURES:

- Internal Thermal Overload Protection
- Output Current to 1.5 Amps
- Output Voltage Internally Trimmed to  $\pm 1\%$  Accuracy
- Electrically Isolated Case
- Lead Form Options: Straight and Gull Wing
- Alternate Voltage Combinations Available
- Contact MSK for MIL-PRF-38534 Qualification Status



MSK521X

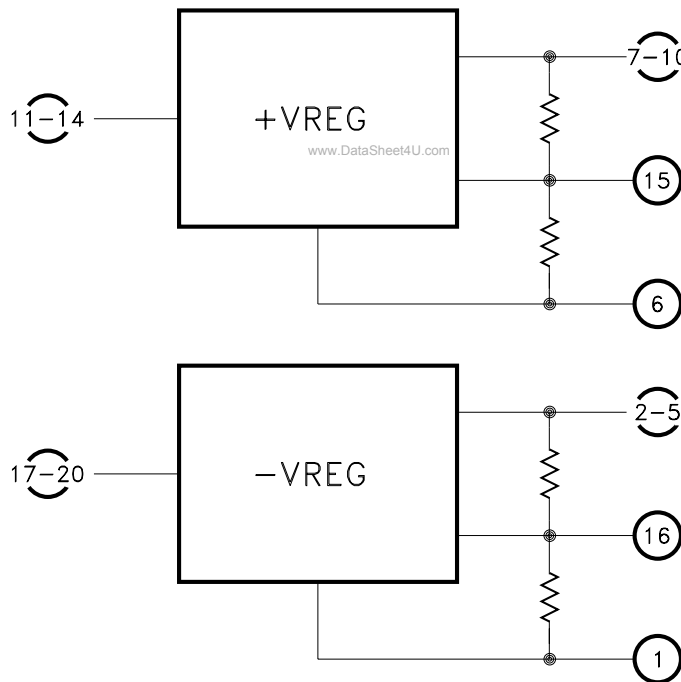


MSK521XG

### DESCRIPTION:

The MSK 5211 series are dual +/- voltage regulators offering excellent output accuracy to  $\pm 1\%$  maximum. Excellent line and load regulation characteristics ensure highly accurate performance. The MSK 5211 series regulators are equipped with internal thermal overload protection. The devices are packaged in a space efficient 20 pin flatpack with two lead form options, straight and gull wing.

### EQUIVALENT SCHEMATIC



### TYPICAL APPLICATIONS

- Switching Power Supply Post Regulators
- Constant Voltage/Current Regulators
- High Efficiency Linear Regulators
- System Power Supplies

### PIN-OUT INFORMATION

1 -VRTN	20 -VIN
2 -VOUT	19 -VIN
3 -VOUT	18 -VIN
4 -VOUT	17 -VIN
5 -VOUT	16 -Ccomp
6 +VRTN	15 +Ccomp
7 +VOUT	14 +VIN
8 +VOUT	13 +VIN
9 +VOUT	12 +VIN
10 +VOUT	11 +VIN

## ABSOLUTE MAXIMUM RATINGS

⑦

+V <sub>IN</sub>	+ Input Voltage (V <sub>IN</sub> -V <sub>OUT</sub> )	+40VDC
-V <sub>IN</sub>	-Input Voltage (V <sub>IN</sub> -V <sub>OUT</sub> )	-40VDC
P <sub>D</sub>	Power Dissipation	Internally Limited
+I <sub>OUT</sub>	+ Output Current	1.5A
-I <sub>OUT</sub>	-Output Current	1.5A
T <sub>J</sub>	Junction Temperature	+150°C

T <sub>ST</sub>	Storage Temperature Range	-65°C to +150°C
T <sub>LD</sub>	Lead Temperature Range (10 Seconds)	300°C
T <sub>C</sub>	Case Operating Temperature	
	MSK 5211-5214	-40°C to +85°C
	MSK 5211-5214(H/E)	-55°C to +125°C

## ELECTRICAL SPECIFICATIONS

Parameter	Test Conditions	Group A Subgroup ④	MSK 521X H/E ③			MSK 521X ②			Units
			Min.	Typ.	Max.	Min.	Typ.	Max.	
<b>POSITIVE OUTPUT REGULATORS:</b>									
Output Voltage Tolerance	I <sub>OUT</sub> = 10mA; V <sub>IN</sub> = V <sub>OUT</sub> + 3V	1	-	±0.2	±1.0	-	±0.2	±1.5	%
		2,3	-	±0.8	±3.0	-	-	-	%
Dropout Voltage	I <sub>OUT</sub> = 0.5A; ΔV <sub>OUT</sub> = 1%	1	-	1.6	3.0	-	1.6	3.5	V
		2,3	-	1.9	3.0	-	-	-	V
Load Regulation	10mA ≤ I <sub>OUT</sub> ≤ 0.5A V <sub>IN</sub> = V <sub>OUT</sub> + 3V	1	-	±0.2	±2.0	-	±0.2	±2.5	%
		2,3	-	±0.4	±2.5	-	-	-	%
Line Regulation	I <sub>OUT</sub> = 10mA V <sub>OUT</sub> + 3V ≤ V <sub>IN</sub> ≤ 35V	1	-	±0.6	±1.5	-	±0.6	±2.0	%
		2,3	-	±1.0	±2.5	-	-	-	%
Thermal Resistance ①	JUNCTION TO CASE @ 125°C	-	-	12.5	13.5	-	12.5	14.0	°C/W
<b>NEGATIVE OUTPUT REGULATORS:</b>									
Output Voltage Tolerance	I <sub>OUT</sub> = 10mA; V <sub>IN</sub> = V <sub>OUT</sub> - 3V	1	-	±0.2	±1.0	-	±0.2	±1.5	%
		2,3	-	±0.8	±3.0	-	-	-	%
Dropout Voltage	I <sub>OUT</sub> = 0.5A; ΔV <sub>OUT</sub> = 1%	1	-	1.9	3.0	-	1.9	3.0	V
		2,3	-	1.5	3.0	-	-	-	V
Load Regulation	10mA ≤ I <sub>OUT</sub> ≤ 0.5A V <sub>IN</sub> = V <sub>OUT</sub> - 3V	1	-	±0.2	±2.0	-	±0.2	±2.5	%
		2,3	-	±0.4	±2.5	-	-	-	%
Line Regulation	I <sub>OUT</sub> = 10mA -35V ≤ V <sub>IN</sub> ≤ V <sub>OUT</sub> - 3V	1	-	±0.1	±1.5	-	±0.1	±2.0	%
		2,3	-	±0.2	±2.5	-	-	-	%
Thermal Resistance ①	JUNCTION TO CASE @ 125°C	-	-	13.5	14.5	-	13.5	15.0	°C/W

### NOTES:

- ① Guaranteed by design but not tested. Typical parameters are representative of actual device performance but are for reference only.
- ② Industrial grade and "E" suffix devices shall be tested to subgroup 1 unless otherwise specified.
- ③ Military grade devices shall be 100% tested to subgroups 1,2 and 3.
- ④ Subgroup 1 T<sub>A</sub> = T<sub>C</sub> = +25°C  
Subgroup 2 T<sub>A</sub> = T<sub>C</sub> = +125°C  
Subgroup 3 T<sub>A</sub> = T<sub>C</sub> = -55°C
- ⑤ Please consult the factory if alternate output voltages are required.
- ⑥ For positive regulator, output decoupled to ground using 1μF minimum tantalum capacitor unless otherwise specified. For negative regulator, output decoupled to ground using 1μF minimum tantalum capacitor.
- ⑦ Continuous operation at or above absolute maximum ratings may adversely effect the device performance and/or life cycle.

PART NUMBER	OUTPUT VOLTAGES	
	POSITIVE	NEGATIVE
MSK5211	5.0	5.0
MSK5212	10.0	10.0
MSK5213	12.0	12.0
MSK5214	15.0	15.0

## APPLICATION NOTES

### CAPACITOR SELECTION

#### POSITIVE REGULATOR

##### INPUT CAPACITOR:

An input bypass capacitor is recommended when using the MSK 5211 series regulators. This is especially true if the regulator is located farther than 6 inches from the power supply filter capacitors. For most applications a 1 $\mu$ F solid tantalum capacitor will be suitable.

##### OUTPUT CAPACITOR:

A minimum of a 1 $\mu$ F solid tantalum capacitor should also be used at the output to insure stability. Any increase of this output capacitor larger than 10 $\mu$ F will only improve output impedance.

##### +C<sub>COMP</sub> CAPACITOR:

For improved ripple rejection, +C<sub>comp</sub> can be bypassed to ground with a 10 $\mu$ F tantalum capacitor. This bypass capacitor will provide 80dB ripple rejection. Increased capacitance above 10 $\mu$ F does not improve the ripple rejection at frequencies above 120Hz. If the C<sub>comp</sub> bypass capacitor is used, it may be necessary to add a protection diode to protect the regulator from capacitor discharge damage. See Typical Applications Circuit for clarification. If the bypass capacitor is not used, it should be left open since it is internally connected to the regulator.

#### NEGATIVE REGULATOR

##### INPUT CAPACITOR:

Once again, if the regulator will be farther than 6 inches from power supply filter capacitors, then an input capacitor will be required on the negative regulator. It is recommended that a 1 $\mu$ F solid tantalum capacitor be used.

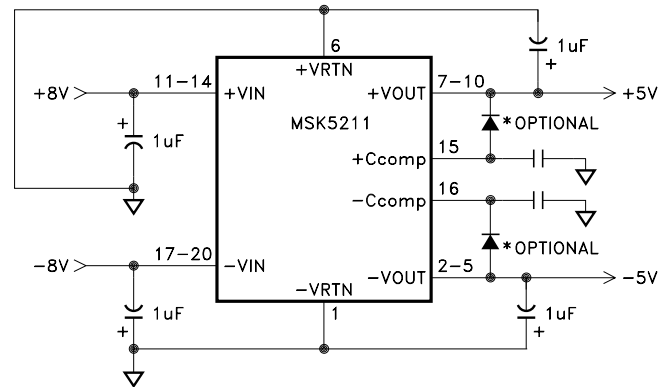
##### OUTPUT CAPACITOR:

A minimum of a 1 $\mu$ F solid tantalum capacitor should also be used at the output to insure stability. Any increase of this output capacitor larger than 10 $\mu$ F will only improve output impedance.

##### -C<sub>COMP</sub> CAPACITOR:

For improved ripple rejection, -C<sub>comp</sub> can be bypassed to ground with a 10 $\mu$ F tantalum capacitor. This bypass capacitor will provide 66dB ripple rejection. Increased capacitance above 10 $\mu$ F does not improve the ripple rejection at frequencies above 120Hz. If the C<sub>comp</sub> bypass capacitor is used, it may be necessary to add a protection diode to protect the regulator from capacitor discharge damage. See Typical Applications Circuit for clarification. If the bypass capacitor is not used, it should be left open since it is internally connected to the regulator.

### TYPICAL APPLICATION CIRCUIT



### LOAD REGULATION

It is important to keep the output connection between the regulator and the load as short as possible since this directly affects the load regulation. For example, if 20 gauge wire were used which has a resistance of about 0.008 ohms per foot, this would result in a drop of 8mV/ft at 1Amp of load current. It is also important to follow the capacitor selection guidelines to achieve best performance.

### HEAT SINKING

To determine if a heat sink is required for your application and if so, what type, refer to the thermal model and governing equation below.

$$\text{Governing Equation: } T_j = P_d \times (R_{\theta jc} + R_{\theta cs} + R_{\theta sa}) + T_a$$

#### WHERE

- T<sub>j</sub> = Junction Temperature
- P<sub>d</sub> = Total Power Dissipation
- R<sub>θjc</sub> = Junction to Case Thermal Resistance
- R<sub>θcs</sub> = Case to Heat Sink Thermal Resistance
- R<sub>θsa</sub> = Heat Sink to Ambient Thermal Resistance
- T<sub>c</sub> = Case Temperature
- T<sub>a</sub> = Ambient Temperature
- T<sub>s</sub> = Heat Sink Temperature

#### EXAMPLE:

This example demonstrates an analysis where the output currents are at 0.5 amp each and both inputs are 8V.

Conditions for MSK 5211:

$$+V_{in} = +8.0V; I_{out} = 0.5A \text{ Positive Regulator}$$

- 1.) Assume 45° heat spreading model.
- 2.) Find positive regulator power dissipation:

$$\begin{aligned} P_d &= (V_{in} - V_{out})(I_{out}) \\ P_d &= (+8V - 5V)(0.5A) \\ P_d &= 1.5W \end{aligned}$$

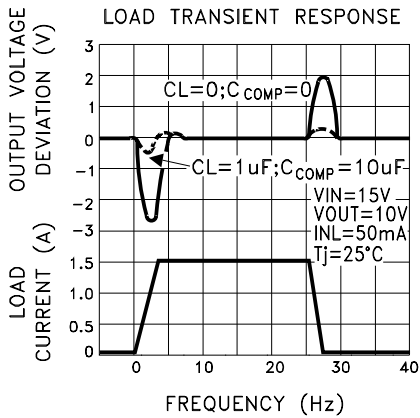
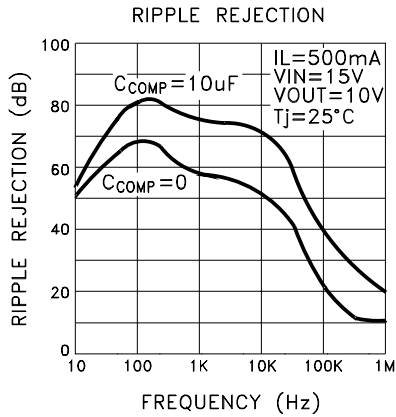
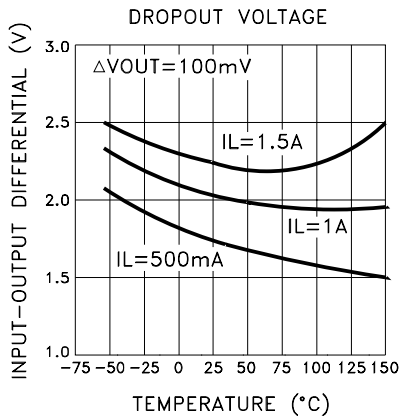
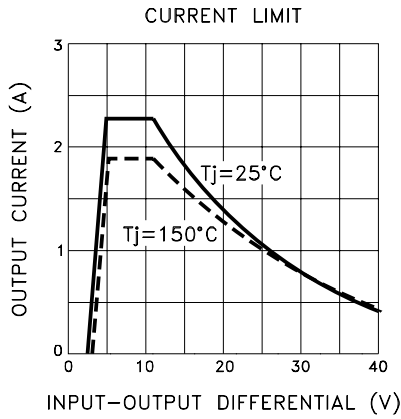
- 3.) For conservative design, set T<sub>j</sub> = +125°C Max.
- 4.) For this example, worst case T<sub>a</sub> = +85°C.
- 5.) R<sub>θjc</sub> = 10.5°C/W from the Electrical Specification Table.
- 6.) R<sub>θcs</sub> = 0.15°C/W for most thermal greases.
- 7.) Rearrange governing equation to solve for R<sub>θsa</sub>:

$$\begin{aligned} R_{\theta sa} &= ((T_j - T_a)/P_d) - (R_{\theta jc}) - (R_{\theta cs}) \\ &= (125^\circ\text{C} - 85^\circ\text{C})/1.5W - 13.5^\circ\text{C/W} - 0.15^\circ\text{C/W} \\ &= 13.0^\circ\text{C/W} \end{aligned}$$

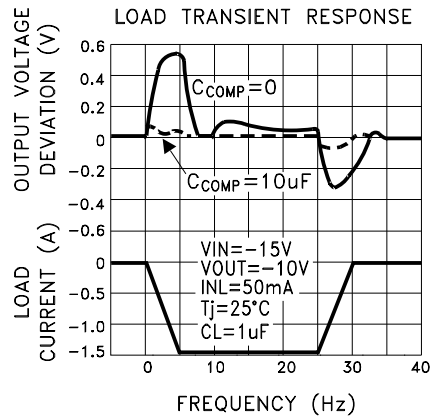
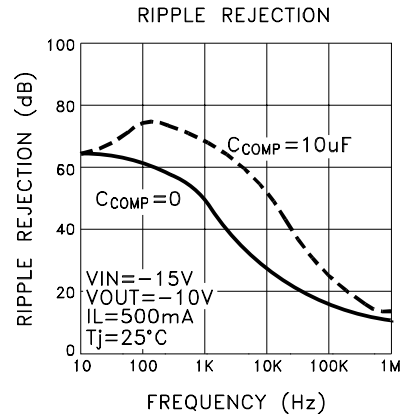
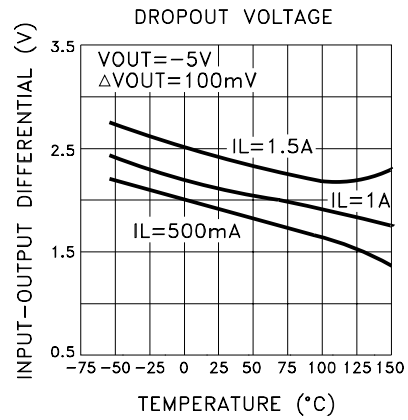
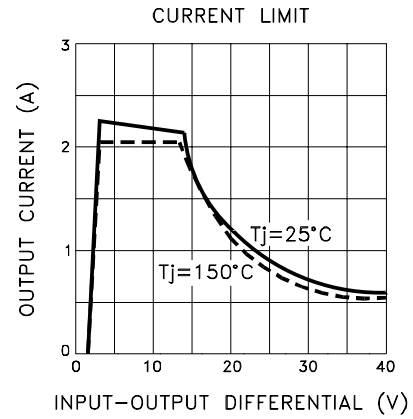
The same exercise must be performed for the negative regulator.

# TYPICAL PERFORMANCE CURVES

## POSITIVE REGULATOR

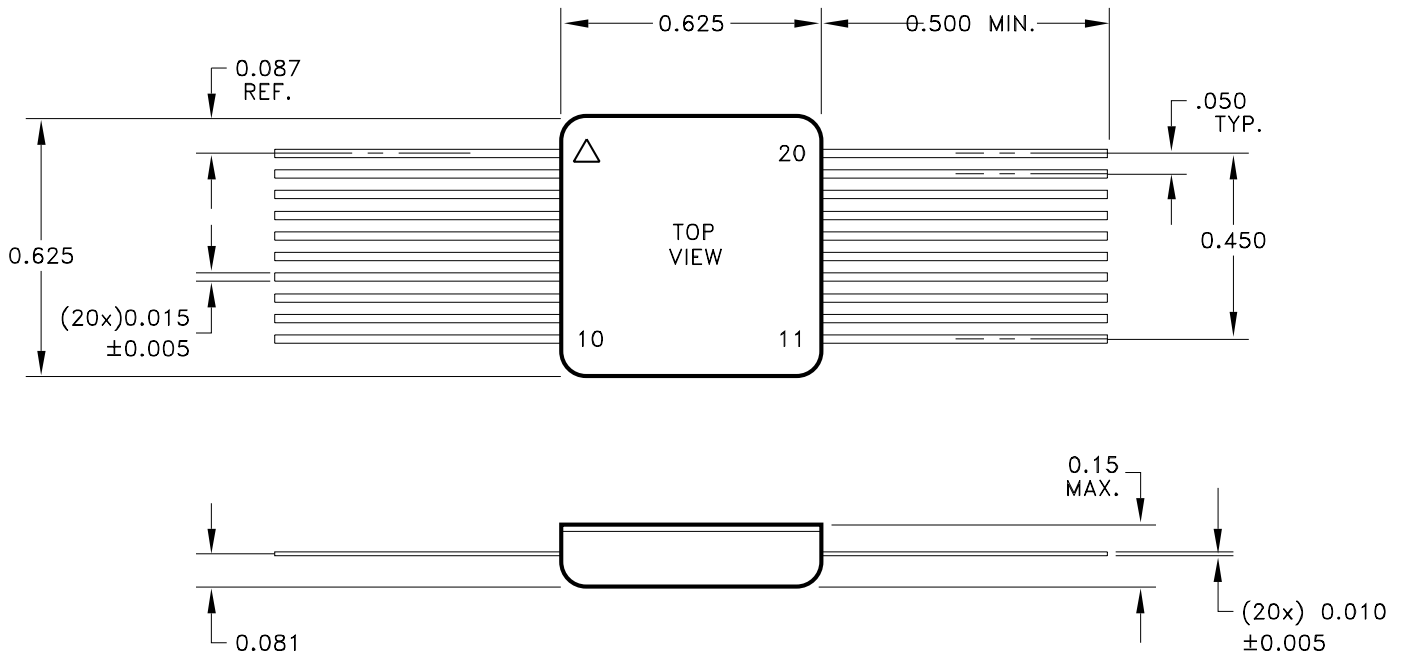


## NEGATIVE REGULATOR



# MECHANICAL SPECIFICATIONS

## MSK521X



Weight = 4.3 Grams Typical

NOTE: ALL DIMENSIONS ARE ±0.010 INCHES UNLESS OTHERWISE LABELED.  
ESD Triangle indicates pin 1.

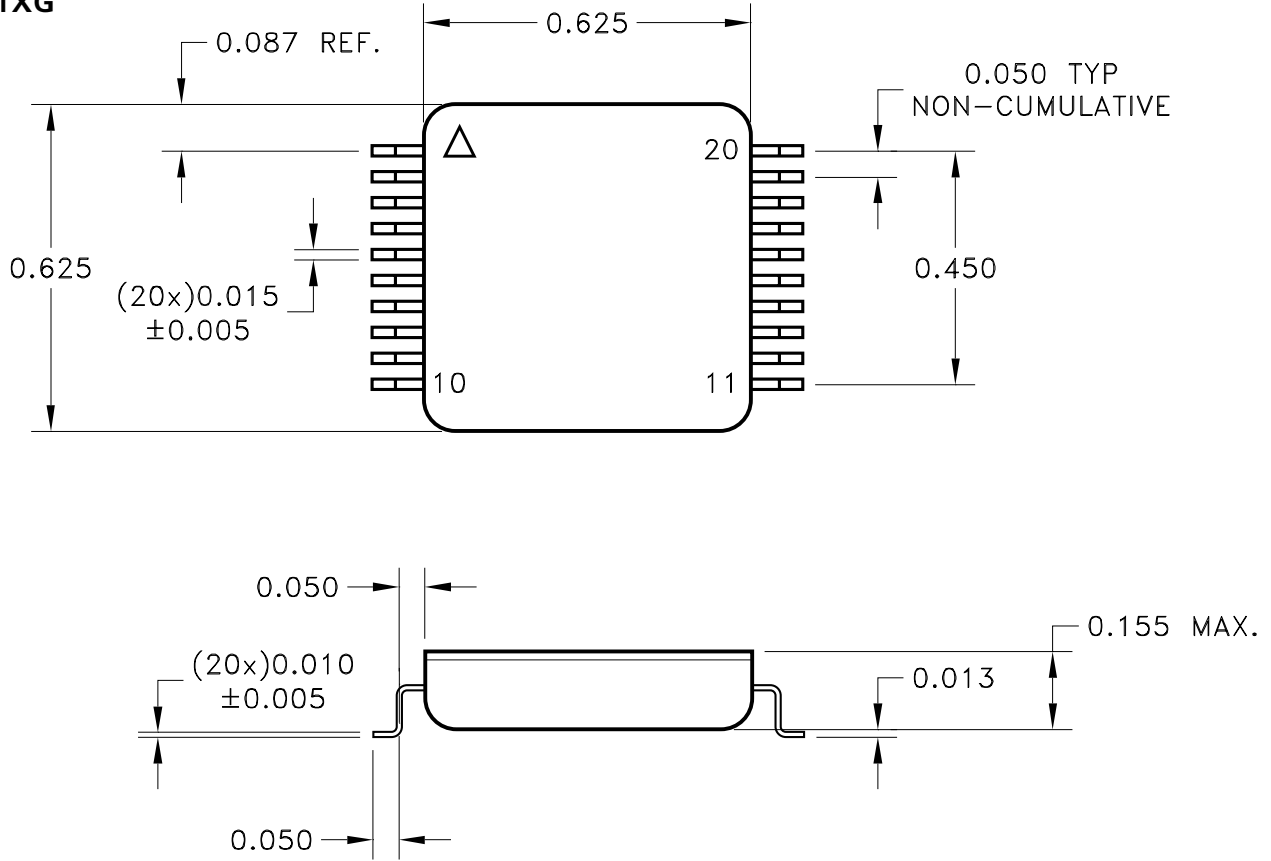
## ORDERING INFORMATION

Part Number	Screening Level
MSK521X	Industrial
MSK521XH	MIL-PRF-38534 CLASS H
MSK521XE	EXTENDED RELIABILITY

X - Designates voltage selection (MSK 5211-5214)

**MECHANICAL SPECIFICATIONS CONTINUED**

**MSK521XG**



Weight = 4.2 Grams Typical

NOTE: ALL DIMENSIONS ARE  $\pm 0.010$  INCHES UNLESS OTHERWISE LABELED.  
ESD Triangle indicates pin 1.

**ORDERING INFORMATION**

Part Number	Screening Level
MSK521XG	Industrial
MSK521XHG	MIL-PRF-38534 CLASS H
MSK521XEG	EXTENDED RELIABILITY

X - Designates voltage selection (MSK 5211-5214)

**M.S. Kennedy Corp.**  
4707 Dey Road, Liverpool, New York 13088  
Phone (315) 701-6751  
Fax (315) 701-6752  
www.mskennedy.com

The information contained herein is believed to be accurate at the time of printing. MSK reserves the right to make changes to its products or specifications without notice, however and assumes no liability for the use of its products. Please visit our website for the most recent revision of this datasheet. Contact MSK for MIL-PRF-38534 Class H qualification status.