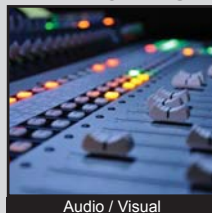


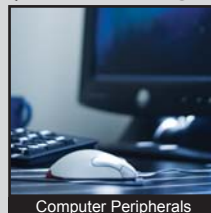
ANTI-VANDAL SWITCHES
 DETECTOR SWITCHES
 DIP SWITCHES
 KEYLOCK SWITCHES
 NAVIGATION SWITCHES
 PUSHBUTTON SWITCHES
 ROCKER SWITCHES
 ROTARY SWITCHES
 SLIDE SWITCHES
 SNAP ACTION SWITCHES
 TACTILE SWITCHES
 TOGGLE SWITCHES
 CAP OPTIONS



APPLICATIONS / MARKETS



Audio / Visual



Computer Peripherals



Consumer Electronics



Instrumentation



Medical Equipment



Telecommunication

RoHS

SPECIFICATIONS

Electrical Rating: 50mA 12VDC
Life Expectancy: 200,000 Cycles
Contact Resistance: 1Ω Max.
Insulation Resistance: 100MΩ Min. at 500VDC
Dielectric Strength: 250VAC for 1 Minute
Operating Temperature: -40°C to 85°C
Operating Force: 160gf ± 50gf
Travel: 0.15mm ± 0.10mm

Function: SPST, Off-(On), Momentary

FEATURES & BENEFITS

- 200,000 cycle life expectancy
- Right angle edge mounted design
- Ultra compact design

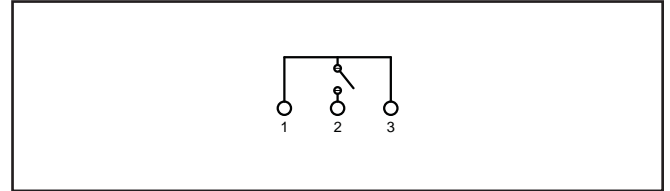
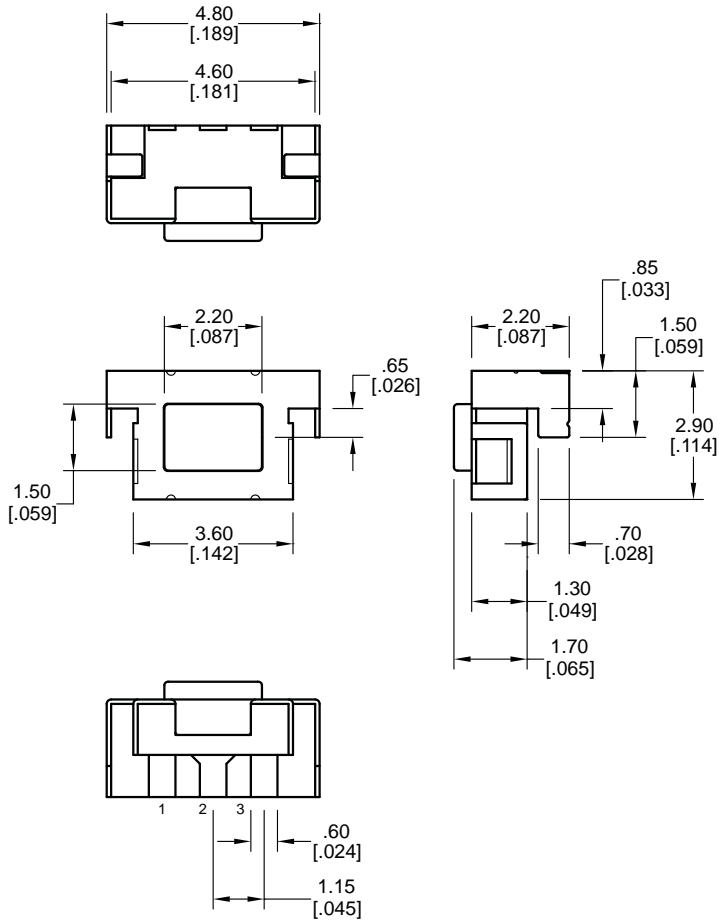
PART NUMBER CONFIGURATOR

| Series | Model | Actuator | Force | Plating | Termination |
|--------|-------|----------|------------------|------------|--------------|
| TL | 4105 | A - 1.70 | F160 - 160 grams | Q - Silver | G - Gullwing |

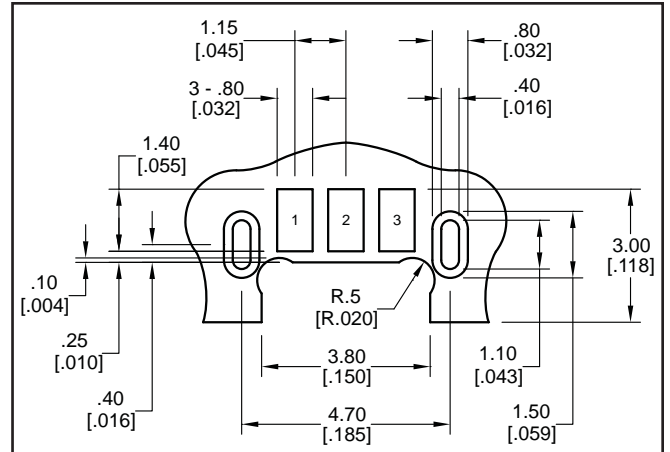
Specifications subject to change without notice



BODY DIMENSIONS



SCHEMATIC



PCB LAYOUT

- ANTI-VANDAL SWITCHES
- DETECTOR SWITCHES
- SWITCHES
- DIP SWITCHES
- KEYLOCK SWITCHES
- NAVIGATION SWITCHES
- PUSHBUTTON SWITCHES
- ROCKER SWITCHES
- ROTARY SWITCHES
- SLIDE SWITCHES
- SNAP ACTION SWITCHES
- TACTILE SWITCHES
- TOGGLE SWITCHES
- CAP OPTIONS

