

**PLEASE CHECK WWW.MOLEX.COM FOR LATEST PART INFORMATION**

**Part Number:** [0493910004](#)  
**Status:** **Active**  
**Description:** 6.60mm (.259") Pitch Wire-to-Board Receptacle, Dual Row, Vertical, 8 Circuits, Polyester Carbonate UL94V-0, Blue

**Documents:**

[Drawing \(PDF\)](#) [RoHS Certificate of Compliance \(PDF\)](#)  
[Product Specification PS-49391-001 \(PDF\)](#)

**General**

Product Family	Crimp Housings
Series	<a href="#">49391</a>
Comments	Polarized to Mating Part
Product Name	N/A

**Physical**

Breakaway	No
Circuits (maximum)	8
Color - Resin	Blue
Gender	Female
Glow-Wire Compliant	No
Keying to Mating Part	None
Lock to Mating Part	Yes
Number of Rows	2
Packaging Type	Bag
Panel Mount	No
Pitch - Mating Interface (in)	0.257 In
Pitch - Mating Interface (mm)	6.53 mm
Pitch - Term. Interface (in)	0.257 In
Pitch - Term. Interface (mm)	6.53 mm
Polarized to Mating Part	Yes
Temperature Range - Operating	-40°C to +120°C

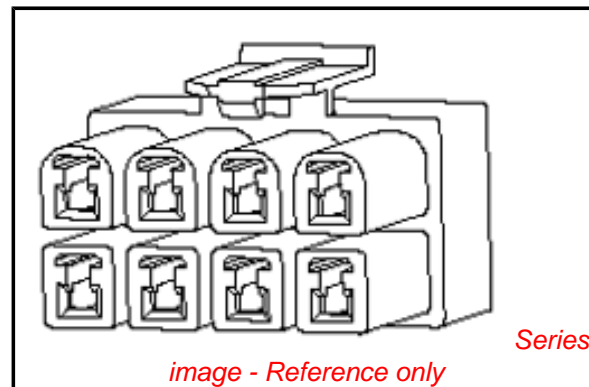
**Electrical**

Current - Maximum per Contact	0.5A
-------------------------------	------

**Material Info**

**Reference - Drawing Numbers**

Product Specification	PS-49391-001
Sales Drawing	SD-49391-001



**EU RoHS**

**ELV and RoHS Compliant**  
**REACH SVHC**  
 Not Reviewed  
**Halogen-Free Status**  
 Not Reviewed

**China RoHS**



**Need more information on product environmental compliance?**

Email [productcompliance@molex.com](mailto:productcompliance@molex.com)  
 For a multiple part number RoHS Certificate of Compliance, [click here](#)

Please visit the [Contact Us](#) section for any non-product compliance questions.

**Search Parts in this Series**

[49391Series](#)

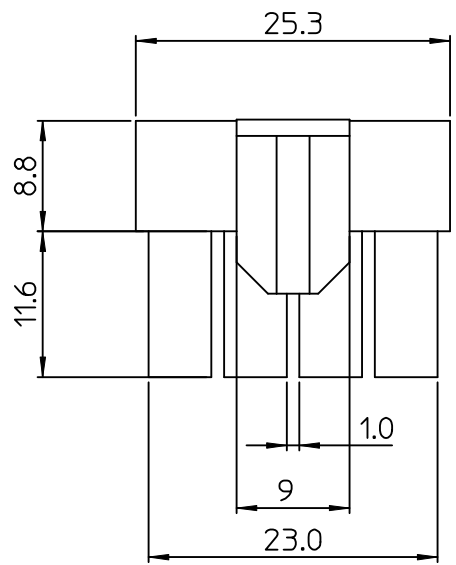
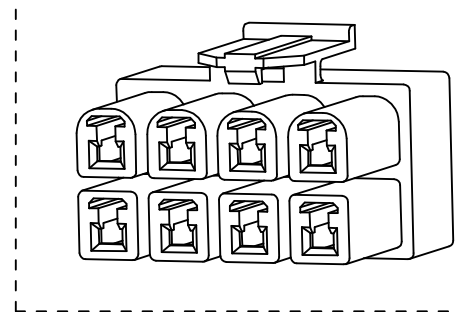
**Mates With**

[49390 PCB Header](#)

**Use With**

[579636202 Crimp Terminal](#)

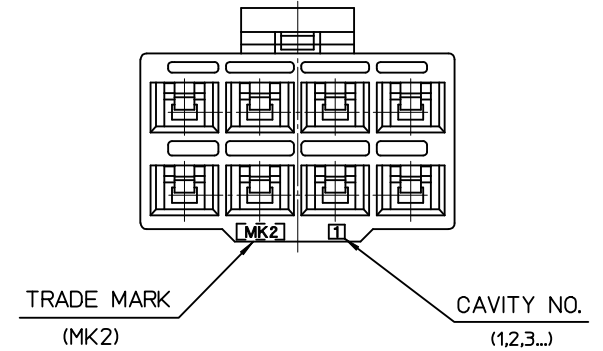
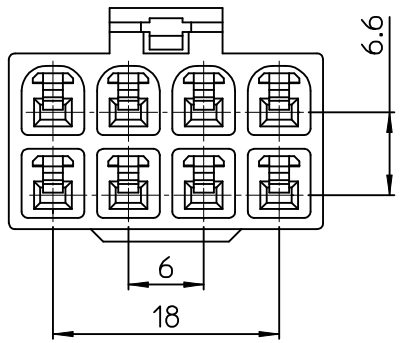
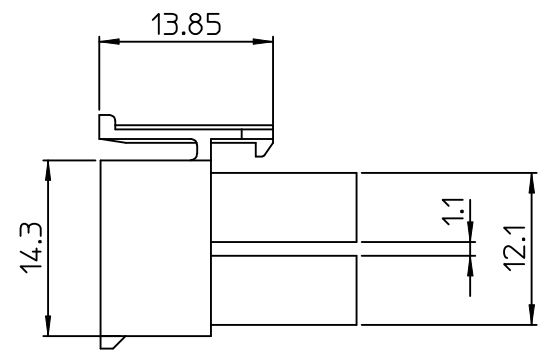
10 9 8 7 6 5 4 3 2 1



NOTES

- 1. MATERIAL & COLOR : SEE TABLE
- 2. MATED HOUSING : 49390-000\*
- 3. APPLICABLE TERMINAL : 57963-6202

NO.	ENG NO.	COLOR	MATERIAL
1	49391-0001	NATURAL	PC/PET (UL94V-0)
2	49391-0002	RED	
3	49391-0004	BLUE	



REVISED EC NO: KOR2009-0093 DRWN: JHPARK01 2008/12/29 CHKD: WY YANG 2008/12/30 APPR: YUNSIKKIM 2009/01/05	DESCRIPTION B	QUALITY SYMBOLS	GENERAL TOLERANCES (UNLESS SPECIFIED) 4 PLACES ± --- ± --- 3 PLACES ± --- ± --- 2 PLACES ± 0.2 ± --- 1 PLACE ± 0.3 ± --- ANGULAR ± 1°	DIMENSION STYLE	SCALE	DESIGN UNITS	THIRD ANGLE PROJECTION .070 W/B CONN-8P HOUSING MOLEX INCORPORATED SD-49391-001
		▼=0 ▽=0		MM ONLY	2:1	METRIC	
		DRAWN BY: JH.PARK CHECKED BY: WY.YANG APPROVED BY: WY.YANG		DATE	DATE	TITLE	
		MATERIAL NO. SEE TABLE		DATE	DATE	DOCUMENT NO.	
		DRAFT WHERE APPLICABLE MUST REMAIN WITHIN DIMENSIONS		THIS DRAWING CONTAINS INFORMATION THAT IS PROPRIETARY TO MOLEX INCORPORATED AND SHOULD NOT BE USED WITHOUT WRITTEN PERMISSION		SHEET NO. 1 OF 01	

9 8 7 6 5 4 3 2 1