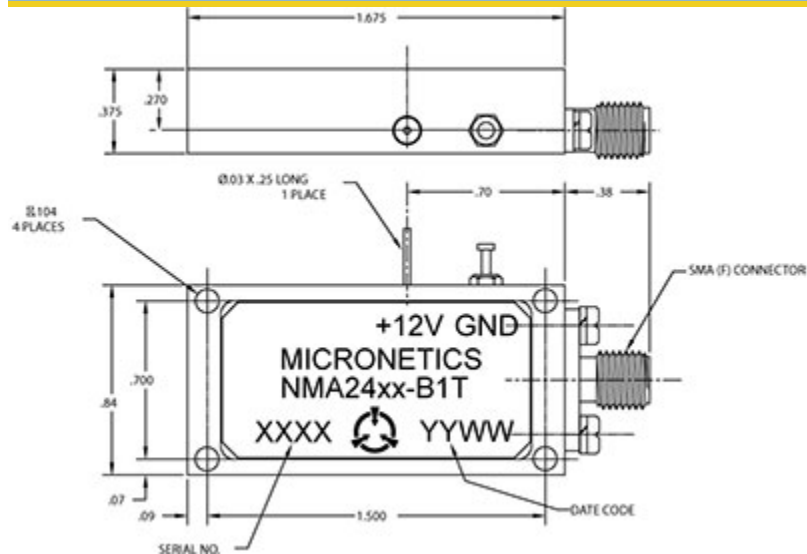


Legacy NMA2416-B1T 7.8 GHz to 8.5 GHz



Specifications

RF Frequency	7.8 GHz to 8.5 GHz
Noise Output	74 dB Min ENR
Noise Spectral Density (N_0)	-100 dBm/Hz Min
Flatness	2 dB P-P Max
Peak Factor	5:1
Bias Voltage	12 V
Supply Current	350 mA Max
Impedance	50 ohms

Package and Connectivity

Construction	Coaxial
Package Type	T Package
Connector Type	SMA(f)

Environmental

Operating Temperature	-30 to 85 °C
Storage Temperature	-65 to 125 °C

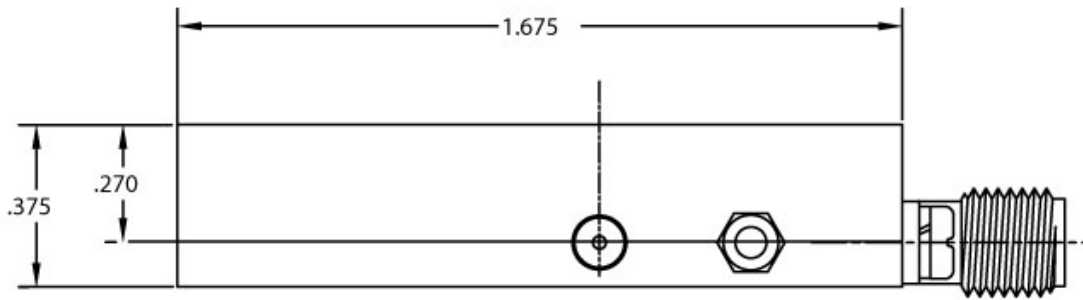
Notes

Option Standard No TTL

Specifications subject to change without notice

Micronetics, Inc. | Hudson, NH | Tel: 1-603-883-2900 | www.Micronetics.com

MICRONETICS



Ø.03 X .25 LONG
1 PLACE

Ø.104
4 PLACES

