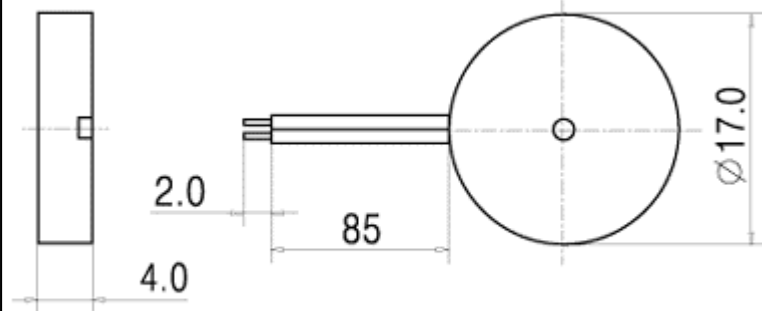


Type	BPT-17A
Rated Voltage(Vp-p, Square wave)	3
Operating Voltage(Vp-p)	1~30
◆ Rated Current(mA)	≤1
Capacitance at 120Hz(pF)	15000±30%
◆ Sound Output at 4KHz, 10cm(dB)	>78
◆ Resonant Frequency(Hz)	4000 ± 500
Operating Temperature(°C)	-20~+60
Storage Temperature(°C)	-30~+70
Weight(g)	1

◆ Value applying at rated voltage.



Unit:mm

