

SMART POWER IC DRIVERS

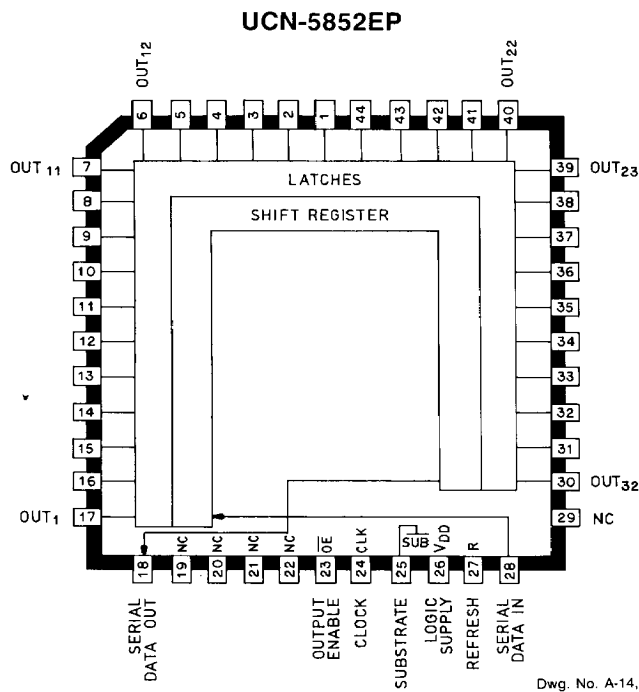
BiMOS SERIAL-INPUT, LATCHED DRIVERS

UCN-5841EP/LW through UCN-5843EP/LW

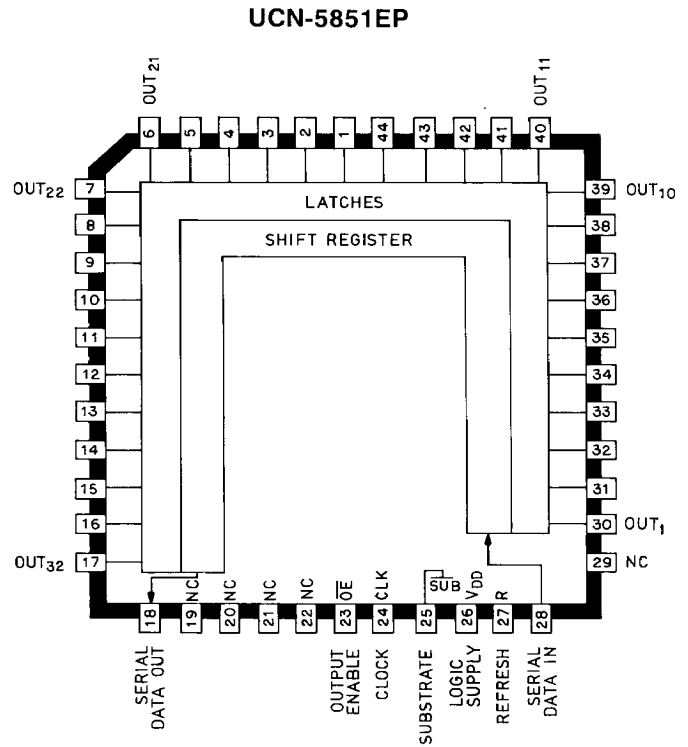
- 500 mA, 50 V Outputs (UCN-5841EP/LW)
80 V Outputs (UCN-5842EP/LW)
100 V Outputs (UCN-5843EP/LW)
- Internal Transient-Suppression Diodes

UCN-5851EP and UCN-5852EP

- TFEL Display Row Drivers
- 120 mA, 225 V DMOS Outputs

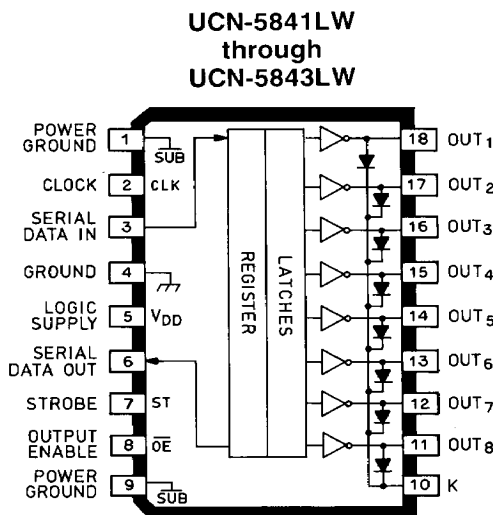


Dwg. No. A-14,364

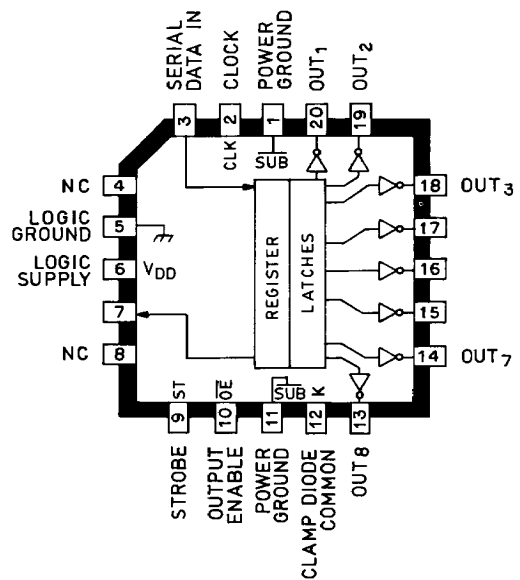


Dwg. No. A-14,363

UCN-5841EP through UCN-5843EP



Dwg. No. A-14,438



Dwg. No. A-14,362