

USH SERIES

85°C Ultra Miniaturized, Snap-in Terminal Type

◆FEATURES

- Load Life : 85°C 2000 hours.
- Smaller size than USG series.
- RoHS compliance.



◆SPECIFICATIONS

Items	Characteristics								
Category Temperature Range	-25~+85°C								
Rated Voltage Range	400~450V.DC								
Capacitance Tolerance	±20% (20°C, 120Hz)								
Leakage Current(MAX)	$I=3\sqrt{CV}$ (After 5 minutes application of rated voltage) $I=(\mu A)$ Leakage Current $C=(\mu F)$ Rated Capacitance $V=(V)$ Rated Voltage								
(tanδ) Dissipation Factor(MAX)	<table border="1"> <tr> <td>Rated Voltage</td> <td>400~450</td> <td>(20°C, 120Hz)</td> </tr> <tr> <td>tanδ</td> <td>0.20</td> <td></td> </tr> </table>	Rated Voltage	400~450	(20°C, 120Hz)	tanδ	0.20			
Rated Voltage	400~450	(20°C, 120Hz)							
tanδ	0.20								
Endurance	<p>After applying rated voltage with rated ripple current for 2000 hours at 85°C, the capacitors shall meet the following requirements.</p> <table border="1"> <tr> <td>Capacitance Change</td> <td>Within ±20% of the initial value.</td> </tr> <tr> <td>Dissipation Factor</td> <td>Not more than 200% of the specified value.</td> </tr> <tr> <td>Leakage Current</td> <td>Not more than the specified value.</td> </tr> </table>	Capacitance Change	Within ±20% of the initial value.	Dissipation Factor	Not more than 200% of the specified value.	Leakage Current	Not more than the specified value.		
Capacitance Change	Within ±20% of the initial value.								
Dissipation Factor	Not more than 200% of the specified value.								
Leakage Current	Not more than the specified value.								
Low Temperature Stability Impedance Ration(MAX)	<table border="1"> <tr> <td>Rated Voltage</td> <td>400</td> <td>420~450</td> <td>(120Hz)</td> </tr> <tr> <td>Z(-25°C)/Z(20°C)</td> <td>8</td> <td>12</td> <td></td> </tr> </table>	Rated Voltage	400	420~450	(120Hz)	Z(-25°C)/Z(20°C)	8	12	
Rated Voltage	400	420~450	(120Hz)						
Z(-25°C)/Z(20°C)	8	12							

◆MULTIPLIER FOR RIPPLE CURRENT

Frequency Coefficient

(Hz) Frequency	60(50)	120	500	1k	10k≤	
Coefficient	400~450VV	0.80	1.00	1.20	1.25	1.40

◆OPTION

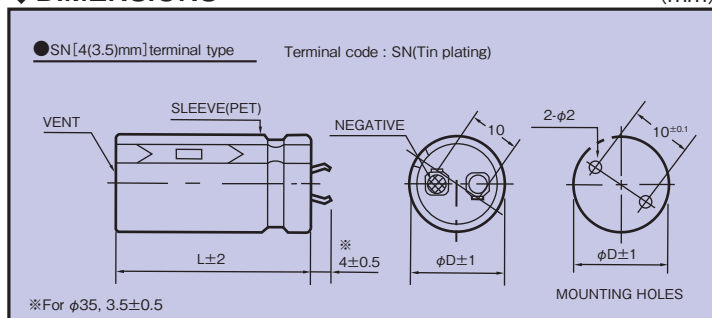
	Code
PET Sleeve without plate	EFC

◆PART NUMBER

 USH **M** **SN** **DXL**
 Rated Voltage Series Rated Capacitance Capacitance Tolerance Option Terminal Code Case Size

◆DIMENSIONS

(mm)



◆ STANDARD SIZE

Cap (μ F)	WV ϕ D	400							
		ϕ 22		ϕ 25		ϕ 30		ϕ 35	
150	22×25	1.21							
180	22×30	1.45							
220	22×35	1.58	25×25	1.58					
270	22×40	1.67	25×30	1.67	30×25	1.67			
330	22×45	1.90	25×35	1.90	30×30	1.90			
390	22×50	2.13	25×40	2.13	30×30	2.13	35×25	2.13	
470			25×45	2.39	30×35	2.39	35×30	2.39	
560					30×40	2.69	35×35	2.69	
680					30×50	2.96	35×35	2.96	
820							35×45	3.25	
1000							35×50	3.60	

Cap (μ F)	WV ϕ D	420							
		ϕ 22		ϕ 25		ϕ 30		ϕ 35	
150	22×25	1.30							
180	22×30	1.48	25×25	1.48					
220	22×35	1.65	25×30	1.65					
270	22×45	1.94	25×35	1.94	30×25	1.94			
330	22×50	2.17	25×40	2.17	30×30	2.17	35×25	2.17	
390			25×45	2.27	30×30	2.27	35×30	2.27	
470			25×50	2.61	30×35	2.61	35×30	2.61	
560					30×45	2.82	35×35	2.82	
680					30×50	3.11	35×40	3.11	
820							35×45	3.40	

Cap (μ F)	WV ϕ D	450							
		ϕ 22		ϕ 25		ϕ 30		ϕ 35	
120	22×25	1.04							
150	22×30	1.29							
180	22×35	1.40	25×25	1.40					
220	22×40	1.66	25×30	1.66					
270	22×45	1.81	25×35	1.81	30×25	1.81			
330			25×40	2.10	30×30	2.10	35×25	2.10	
390			25×50	2.32	30×35	2.32	35×30	2.32	
470					30×40	2.66	35×35	2.66	
560					30×50	2.82	35×35	2.82	
680							35×45	3.00	
820							35×50	3.30	

↑ ↑
Ripple Current (A r.m.s./120Hz, 85°C)
Case Size ϕ D×L(mm)