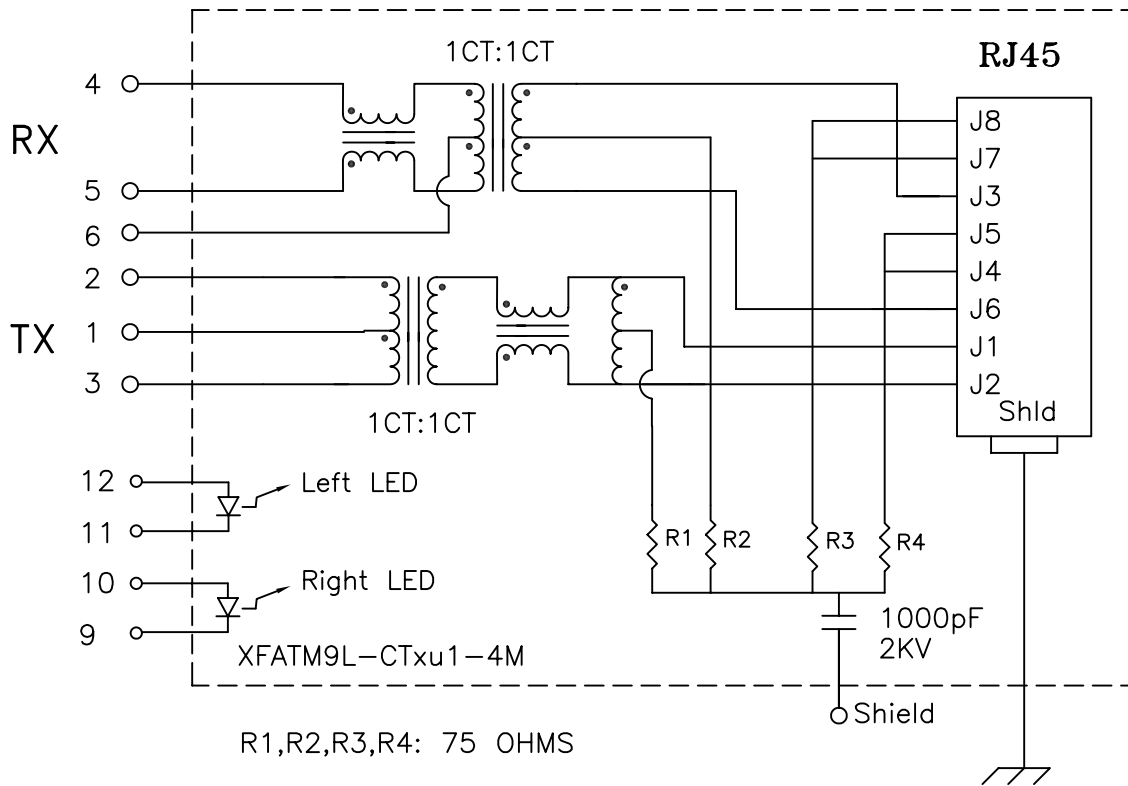


Schematic:



Electrical Specifications: @25°C

Isolation Voltage: 1500 Vrms (Input to Output)

Isolation Voltage: 500 Vrms (P1+2+3 to P4+5+6)

Turns Ratio: TX 1CT:1CT $\pm 3\%$ RX 1CT:1CT $\pm 3\%$

CABLE SIDE OCL: 350uH Minimum @100KHz 100mV 8mADC

Cw/w: 27pF Typical @100KHz 100mV

Insertion Loss (300KHz-100MHz): -1.0dB Maximum

Return Loss: @30MHz -18dB Minimum

@80MHz -12dB Minimum

Complete the Combo P/N as follows:

Replace 'x' & 'u' in the part number with one of the LED color letters:

Y=Yellow

G=Green

A=Amber

R=Red

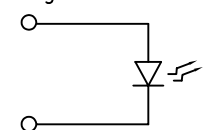
N=Yellow(1)/Green(2) Bicolor

M=Green(1)/Yellow(2) Bicolor

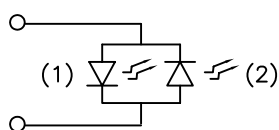
'x' = Left LED Color

'u' = Right LED Color

Single Color LED:



Bi-Color LED:



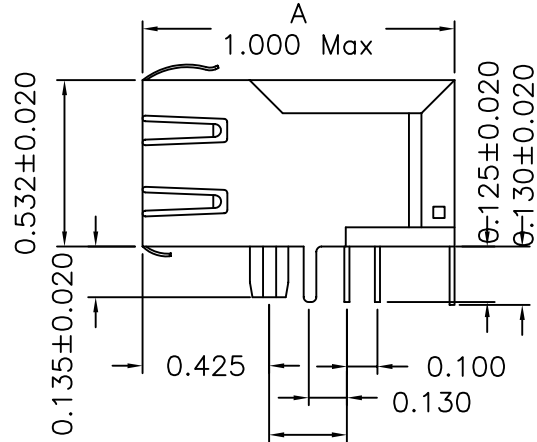
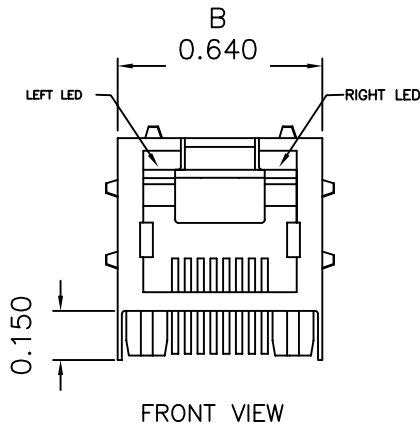
DOC. REV: A/5

Notes:

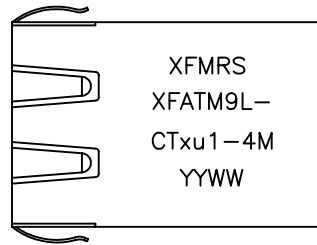
1. Solderability: Leads shall meet MIL-STD-202, Method 208D for solderability.
2. Flammability: UL94V-0
3. ASTM oxygen index: > 28%
4. Temperature rating: 155°C. UL file E151556
5. Operating Temperature Range: -40°C to +85°C

XFMRs Inc.		Title: SINGLE PORT COMBO TAB UP	
UNLESS OTHERWISE SPECIFIED		P/N: XFATM9L-CTxu1-4M	REV. A
TOLERANCES: .xxx ± 0.010		DWN. 罗振江	May-29-03
Dimensions in Inch		CHK. 廖玉坤	May-29-03
SHEET 1 OF 2		APP. Isaiah M	May-29-03

Mechanical Dimensions:

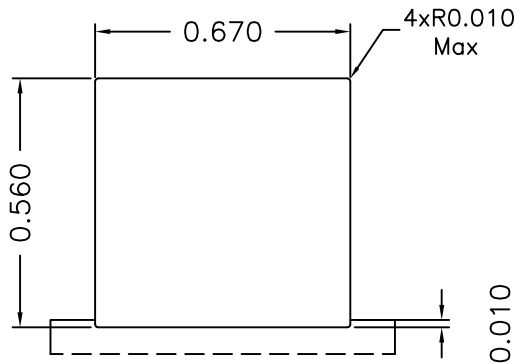
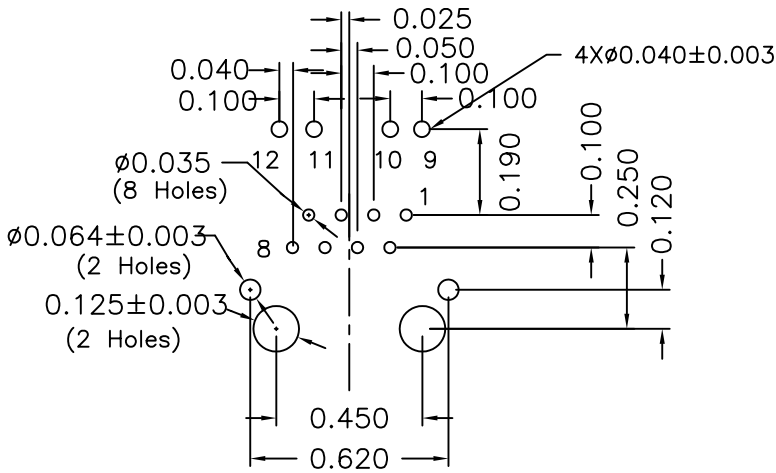


0.250±0.003



TOP VIEW

Mounting Pattern:



FACE VIEW
RECOMMENDED PANEL CUTOUT

DOC. REV A/5

XFMRS Inc.	Title: Mechanical Dimensions For TAB UB RJ45 COMBO		
UNLESS OTHERWISE SPECIFIED TOLERANCES: .xxx ±0.010 Dimensions in Inch	P/N: XFATM9L-CTxu1-4M	REV. A	
	DWN.	罗振江	May-29-03
	CHK.	廖玉坤	May-29-03
SHEET 2 OF 2	APP.	Isaiah M	May-29-03