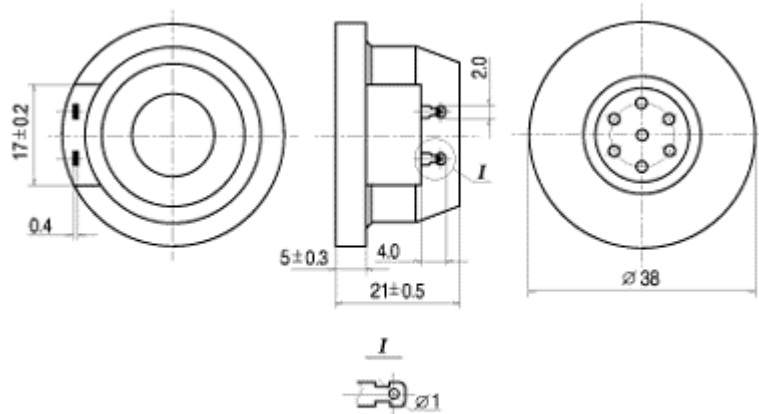




Type	BDR-1
DC Resistance(Ω)	135 ± 15
AC Impedance(Ω)	150 ± 30
Sensitivity(dB)	115 ± 2 at 1mW
Frequency Range(Hz)	200~4000
THD	$\leq 3\%$
Operating Temperature($^{\circ}\text{C}$)	-20~+55
Weight(g)	39



Unit:mm

