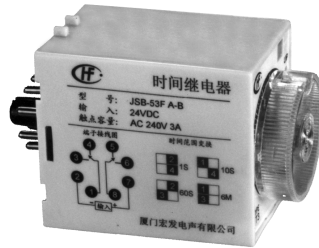


# JSB-53FA

# Time Relays



File No.: CQC02001001947



### Features

- \* High equability, long life
- \* Pull-in on delay ( both poles )
- \* Adopt LSI, high precision switch
- \* LED show power on and time reach
- \* 4 Time range
- \* Plug in installation
- \* Octal Socket Available

### CHARACTERISTICS

Nominal Coil voltage	DC 12/24/48/110V, AC 110/120/220/240V	
Timing range	0.05s to 24h	
Timing tolerance	± (5%+50ms)	
Repeat accuracy	± (0.5%+10ms)	
Contact Rating	5A 240VAC / 30VDC (res. load)	
Operating voltage	(85% to 110%) of nominal voltage	
Input current	60mA	
Reset time	100ms	
ON/OFF frequency	1800 ops/h	
Mechanical Life	2X10 <sup>7</sup> ops	
Electrical Life	2X10 <sup>5</sup> ops	
Ambient Temperature	-10°C to 55°C	
Dimensions	55.5mmX41mmX84mm	
Weight	100g	
Installation way	Plug in	
Working position	Any position	
Insulation Resistance	100MΩ (500VDC)	
Dielectric Resistance	Between coil and contacts	2000VAC, 1min
	Between circuits	1500VAC, 1min
	Between contacts sets	1000VAC, 1min

### TABLE

CODE	1	2	3	4
A	0.05 - 0.5s	- 5s	- 30s	- 3min
B	0.1 - 1s	- 10s	- 60s	- 6min
C	0.5 - 5s	- 50s	- 5min	- 30min
D	1 - 10s	- 100s	- 10min	- 60min
E	6 - 60s	- 10min	- 60min	- 6h
F	0.2 - 2min	- 20min	- 2h	- 12h
G	0.4 - 4min	- 40min	- 4h	- 24h

### ORDERING INFORMATION

Type	JSB-53F /	A	B	24VDC
Model	A: Delay DPDT			
Timing range	A, B, C, D, E, F, G (Show in table)			
Control Voltage	DC: 12V / 24V / 48V / 110V    AC: 110V / 120V / 220V / 240VAC			

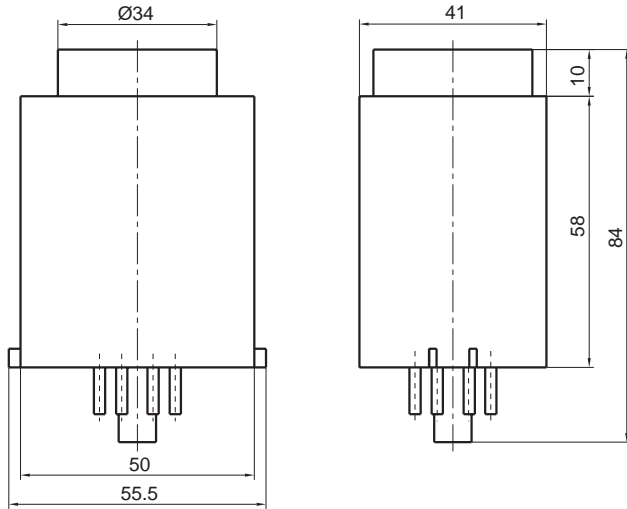


HONGFA RELAY  
ISO9001\*ISO/TS16949 \*ISO14001 CERTIFIED

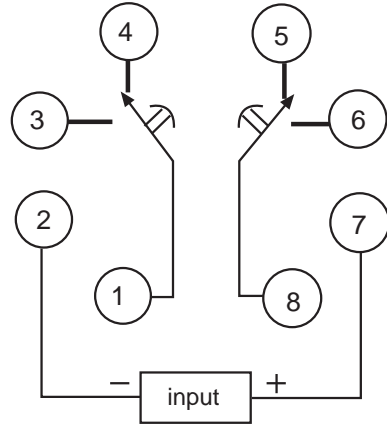
VERSION: EN02-20040601

## OUTLINE DIMENSIONS, WIRING DIAGRAM AND PC BOARD LAYOUT

Outline Dimensions



Wiring Diagram



## DELAY OSCILLOGRAM

