

# FMV-595

## Duplex V/Duplex A & D



Video



Audio



Data

### Two-way Video with One Duplex Audio and One Duplex Data

The FMV-595 is a duplex Video transmission system with one duplex Audio and one Data port, ideal for CCTV cameras and traffic surveillance. Status indicators on Video, Sync, Data, carrier detect, voltage, temperature, and optical levels are monitored via LEDs.

### System Design

All of our units come as an Insert Card version. The cards can be inserted into our 18-slot, 19" rackmountable card cage (CC-18-80W), or one of our smaller Desk Top Card Racks (DTCR series).

The Desk Top Card Racks can handle one, two, four, or seven cards, allowing for greater flexibility and future expansion. They can sit on a flat surface as a larger stand-alone unit, or can be surface mounted with the flanges provided. Each one of our card housings operates with an appropriate power supply. The regulated switching power supply has short circuit protection and an input operating voltage of 87- 264 V<sub>AC</sub>.



### Features

- Multimode or singlemode operation over one fiber
- 8 MHz video bandwidth
- 10 Hz to 20 KHz audio bandwidth
- True DC restoration
- Flat frequency response
- Complies with RS-170 and RS-170A EIA video standards
- Compatible with NTSC, PAL and SECAM
- No EMI or RFI and no ground loops
- Stand Alone or Rack Mount
- Ideal for CCTV cameras, video conferencing and ITS

865	1310	1550	Type	Mode	Wavelength Suffix	Fiber Type	Output Power	Receiver Sensitivity	Optical Loss Budget	Range*	Conn Type
•	•		LED	MM	L0/L1	50/125μ	-16 dBm	-34 dBm	18 dB	3 km	ST
•	•					62.5/125μ					
	•	•	Laser	SM	L2/L3	09/125μ	-10 dBm	-34 dBm	24 dB	25 km	FC

\* Chromatic dispersion should be taken into account.



**Video**

Video in/out impedance	75 Ω
Video in/out level	1 volt peak to peak, 1.5 volts max
Video bandwidth	5 Hz to 8 MHz @ -3dB
Differential gain	< 1.0 % typical
Differential phase	< 1.0° typical
Linearity	± 1.1 % typical
Tilt	≤ 0.5 % typical
Compatibility	NTSC, PAL, SECAM, RS-170, RS-170A
Signal to noise ratio	>67 dB using RS-250C standards @ 1 km
FM carrier frequency	70 MHz
Connector type	BNC

**Audio**

Audio in/out impedance	600 Ω (balanced) or 10 kΩ (unbalanced)
Audio in/out level	-6 to +6 dBm
Frequency response	10 Hz to 20 KHz
Signal to noise ratio	> 60 dB
Total harmonic distortion	< 1.0 %, 1 KHz at maximum modulation
Connector type	Hi-density 15 pin DB9 (DE15)

**Data**

Data rate	DC to 300 Kbps
Bit error rate	10 <sup>-9</sup>
Data formats available	Async Rs-232, RS-422, RC-485/2W, Glenlock, Manchester, 20 mA current loop, TTL, or six Contact Closures
Connector type	Hi-density 15 pin DB9 (DE15)

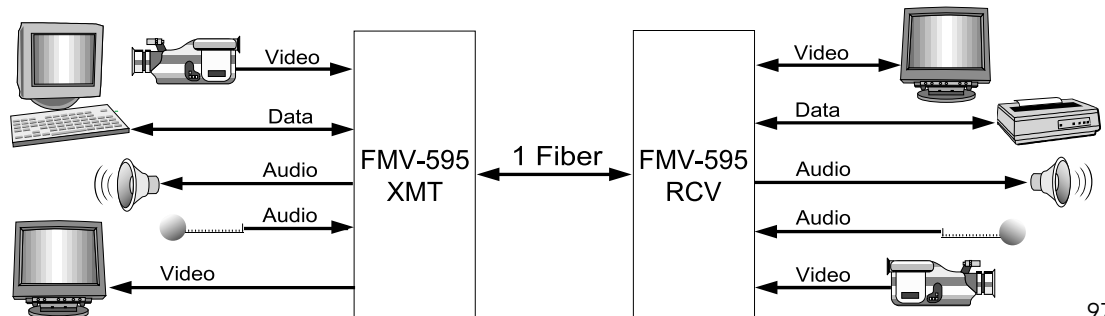
**General**

Dimensions & Weight	Stand Alone (SA): 7.16" L x 5.21" W x .94" H    39 oz Insert Card (IC): 6.3" L x 0.8" W x 4.0" H    16 oz
Temperature	Operating: -40° C to +74° C; Storage; -55° C to +85° C
Humidity	0 to 95% non-condensing
Operating voltage	12 V <sub>DC</sub> (200 mA) or 9-24 V <sub>AC</sub> (300mA) or 110/220 V <sub>AC</sub>
Vibration/Shock	Up to 5 g's/Up to 12 g's

**Diagnostics**

Status monitoring	LED indicator
-------------------	---------------

**Sample Configuration**



Selection Guide

Digital Broadcast

AM/IM Analog

**SWFM Analog**

Analog-to-Digital

RGB Video

Datacom

RF CATV

Appendix

10:20

Opticomm reserves the right to change product specifications without notice.



Emissions: FCC Part 15, ICES-003, AS/NZS, 3548, EN55022  
Immunity: EN55024, EN61000-4-2,3,4,5,6,11  
Safety: UL1950, CAN/CSA 22.2, NO.950-95

**MADE IN THE USA**