

MIL-PRF-38534 CERTIFIED



**RADIATION HARDENED
HIGH EFFICIENCY, 5 AMP
SWITCHING REGULATORS**

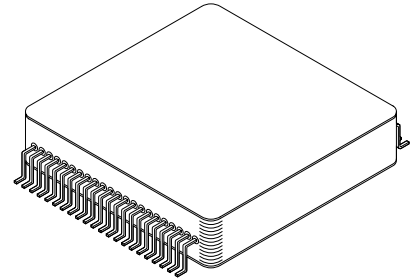
**5046RH
SERIES**

4707 Dey Road Liverpool, N.Y. 13088

(315) 701-6751

FEATURES:

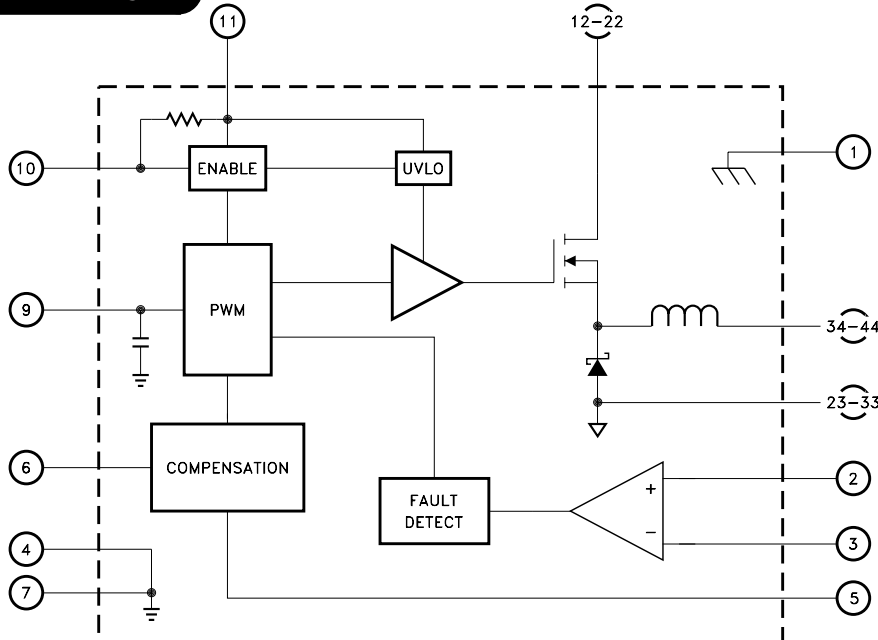
- Up To 92% Conversion Efficiency For 5V Version
- 5 Amp Output Current
- 3.1V to 18V Input Range with Separate Bias
- 12V to 18V Input Range with UVLO (VBIAS = VIN)
- Preset 1.5V, 1.7V, 1.8V, 1.9V, 2.0V, 2.5V, 3.0V, 3.3V, 3.4V or 5.0V Output Versions
- User Programmable Current Limit
- Output Trim Capability
- Custom Compensation & Outputs Available
- 350KHz Switching Frequency
- Surface Mountable Hermetic Package
- -55°C to +125°C Operating Temperature Range
- Total Dose Tested to 300K RAD
- Available with Gull Wing Leads
- Contact MSK for MIL-PRF-38534 Qualification and Appendix G (Radiation Status)



DESCRIPTION:

The MSK 5046RH series are high efficiency, 5 amp, radiation hardened switching regulators. The output voltage is configured for 1.5V, 1.7V, 1.8V, 1.9V, 2.0V, 2.5V, 3.0V, 3.3V, 3.4V or 5.0V internally with a tolerance of 1%. The very low output impedance allows the MSK 5046RH to drive the start up surge current required by many CPU's and FPGA's with little or no decrease in the output voltage. The operating frequency of the MSK 5046RH is 350KHz. A low quiescent current and very good operating efficiency keep the total internal power dissipation of the MSK 5046RH down to an absolute minimum. The device is packaged in a hermetic surface mountable package for high reliability applications.

EQUIVALENT SCHEMATIC



TYPICAL APPLICATIONS

- Satellite System Power Supply
- Step-down Switching Regulator
- Microprocessor, FPGA Power Source
- High Efficiency Low Voltage Subsystem Power Supply

PIN-OUT INFORMATION

1 CASE	8 NC
2 CS+	9 SOFT START
3 CS-	10 ENABLE
4 SIGNAL GROUND	11 VBIAS
5 SENSE	12-22 VIN
6 ADJUST	23-33 POWER GROUND
7 SIGNAL GROUND	34-44 VOUT

ABSOLUTE MAXIMUM RATINGS ^⑫

Input Voltage	-0.3V, +20V
VBIAS Voltage	-0.3V, 18V
Enable	-0.3V, VBIAS
Output Current	5.0 Amps
Thermal Resistance MOSFET(@ 125°C)	6.0°C/W
Diode(@ 125°C).	7.5°C/W

T _{ST}	Storage Temperature Range	-65°C to +150°C
T _{LD}	Lead Temperature Range	300°C
	(10 Seconds)	
T _C	Case Operating Temperature	
	MSK5046RH K/H/E Series	-55°C to +125°C
	MSK5046RH Series	-40°C to +85°C
T _J	Junction Temperature	+150°C

ELECTRICAL SPECIFICATIONS

Parameter	Test Conditions ^① ^⑨	Group A Subgroup	MSK 5046RH K/H/E			MSK 5046RH			Units	
			Min.	Typ.	Max.	Min.	Typ.	Max.		
V _{IN} Input Supply Range ^② ^⑦ ^⑧		1,2,3	NOTE 8	-	18	3.1	-	18	V	
VBIAS Input Supply Range ^②		1,2,3	12	-	16	12	-	16	V	
IBIAS		1	-	35	60	-	35	65	mA	
		2,3	-	40	68	-	-	-	mA	
Under Voltage Lockout Rising VBIAS		1	8.4	10.5	12.0	8.4	10.5	12.0	V	
Output Voltage Tolerance		1	-	±0.3	±1	-	±0.3	±1.5	%	
		2,3	-	-	±2	-	-	-	%	
Output Current ^②	Within SOA	1	5.0	5.2	-	5.0	5.2	-	A	
Load Regulation	0.50A ≤ I _{OUT} ≤ 4.0A	1	-	±0.1	±1.0	-	±0.1	±1.5	%	
		2,3	-	±0.1	±1.5	-	-	-	%	
Line Regulation	V _{Bias} = 12V V _{IN} Step = 6V to 18V	1	-	±0.1	±1.0	-	±0.1	±1.5	%	
		2,3	-	±0.1	±1.5	-	-	-	%	
Oscillator Frequency		4	320	350	380	320	350	380	KHz	
Enable Input Voltage	Open Circuit Voltage, Enabled	1,2,3	-	-	VBIAS	-	-	VBIAS	V	
	Logic Low Disabled	1,2,3	-	-	0.8	-	-	0.8	V	
Enable Input Current ^② ^⑪	V _{EN} = 0V	1	-	-1.2	-2.0	-	-1.2	-2.5	mA	
Disabled Quiescent Current ^⑪	V _{EN} = 0V	1,2,3	-	2.6	4.8	-	2.6	4.8	mA	
Efficiency ^⑩	5046-1.5RH	V _{IN} = 3.3V I _{OUT} = 3.0A	7	70	75	-	68	75	-	%
	5046-1.7RH	V _{IN} = 3.3V I _{OUT} = 3.0A	7	72	77	-	70	77	-	%
	5046-1.8RH	V _{IN} = 3.3V I _{OUT} = 3.0A	7	73	78	-	71	78	-	%
	5046-1.9RH	V _{IN} = 3.3V I _{OUT} = 3.0A	7	75	80	-	73	80	-	%
	5046-2.0RH	V _{IN} = 3.3V I _{OUT} = 3.0A	7	77	82	-	75	82	-	%
	5046-2.5RH	V _{IN} = 5.0V I _{OUT} = 3.0A	7	79	84	-	77	84	-	%
	5046-3.0RH	V _{IN} = 5.0V I _{OUT} = 3.0A	7	81	86	-	79	86	-	%
	5046-3.3RH	V _{IN} = 5.0V I _{OUT} = 3.0A	7	83	88	-	81	88	-	%
	5046-3.4RH	V _{IN} = 5.0V I _{OUT} = 3.0A	7	83	88	-	81	88	-	%
5046-5.0RH	V _{IN} = 7.0V I _{OUT} = 3.0A	7	86	92	-	84	92	-	%	

NOTES:

- V_{IN} = 12V, VBIAS = 12V, I_{OUT} = 4.0A, R_{SENSE} = 15mΩ, C_{OUT} = 3x100μF Low ESR tantalum (AVX P/N TAZH107M015L) + 1.0μF ceramic, SOFT START = NC, ENABLE = NC, ADJUST = NC, unless otherwise specified.
- Guaranteed by design but not tested. Typical parameters are representative of actual device performance but are for reference only.
- All output parameters are tested using a low duty cycle pulse to maintain T_J = T_C.
- Industrial grade and 'E' suffix devices shall be tested to subgroup 1 unless otherwise specified.
- Military grade devices ('H' and 'K' suffix) shall be 100% tested to subgroups 1,2,3,4 and 7.
- Subgroup 1,4,7 T_A = T_C = +25°C
Subgroup 2 T_A = T_C = +125°C
Subgroup 3 T_A = T_C = -55°C
- The device can operate with input voltages as high as 18V, but efficiency is best at lower inputs.
- With VBIAS connected to a separate source, V_{IN} Min. is V_{OUT} + V_{DROPOUT}; see typical dropout curves.
- Contact factory for post radiation limits.
- Sense resistor losses and VBIAS power not included. See typical performance curves.
- The disabled bias current is the sum of the enable pin sink current (approximately VBIAS/10KΩ) and the internal bias current.
- Continuous operation at or above absolute maximum ratings may adversely effect the device performance and/or life cycle.

APPLICATION NOTES

INPUT BIAS AND UVLO:

The VBIAS pin of the MSK 5046RH provides bias to the control circuitry. The VBIAS pin can be connected directly to the input bus for 12V to 18V operation or it can be biased separately with a 12V to 18V source to extend the input range of the device. Refer to the paragraph titled "INPUT VOLTAGE RANGE". For bias voltages greater than 16V series diodes or resistors are recommended to bring VBIAS below 16V. The MSK 5046RH's built-in under voltage lockout feature prevents damage to downstream devices in the event of a drop in bias voltage. Under voltage lockout occurs at bias voltages of approximately 10.3V rising and 9.5V falling. The internal bias draws approximately 40mA under normal operation.

INPUT VOLTAGE RANGE

The MSK 5046RH's input range of 12V to 18V can be further extended down to 3.1V by using a separate bias supply. In this configuration very efficient low V to low V conversion can be achieved.

POWER CIRCUIT LAYOUT CONSIDERATIONS:

Layout of the power circuitry will affect the overall performance of the MSK 5046RH. Input power should be tied as close to VIN (pins 12-22) as possible. Create a single point ground as close to the MSK 5046RH power ground pins (23-33) as possible. The input power return should be tied between the MSK 5046RH power ground pins and the load. Keeping the input power return connection as close to the MSK 5046RH power ground pins as possible and keeping the distance between the MSK 5046RH power ground pins and the load to a minimum will maximize the performance. Tie the signal ground pins (4 and 7) to the single point ground with a short low impedance connection. See remaining notes for more layout and application performance.

INPUT CAPACITOR SELECTION:

The MSK 5046RH should have an external high frequency ceramic capacitor (0.1uF) between VIN and power ground. Connect a low-ESR bulk capacitor directly to the input pin of the MSK 5046RH. Select the bulk input filter capacitor according to input ripple-current requirements and voltage rating, rather than capacitor value. Electrolytic capacitors that have low enough ESR to meet the ripple-current requirement invariably have more than adequate capacitance values. Aluminum-electrolytic capacitors are preferred over tantalum types, which could cause power-up surge-current failure when connecting to robust AC adapters or low-impedance batteries.

OUTPUT CAPACITOR SELECTION:

The MSK 5046RH has no internal output capacitance. Use between 200 and 400μF of low ESR bulk capacitance for optimum performance. For optimal performance use three AVX part number TAZH107M015L (MIL part number CWR29H-107M). For loads with large excursions use surge rated capacitors. Additional 0.1μF ceramic capacitors close to the load will help suppress high frequency switching noise. Custom compensation to maximize performance with a variety of capacitive loads is available; consult the factory.

SOFT START:

The internal 0.1μF soft start capacitor charges from a 12μA (nominal) current source. Connect additional capacitance to the soft start pin to slow the output rise further. The output rise time is dependant on the input to output voltage ratio as well as the soft start capacitance. The output rise time at 50% load may be approximated with the following equation:

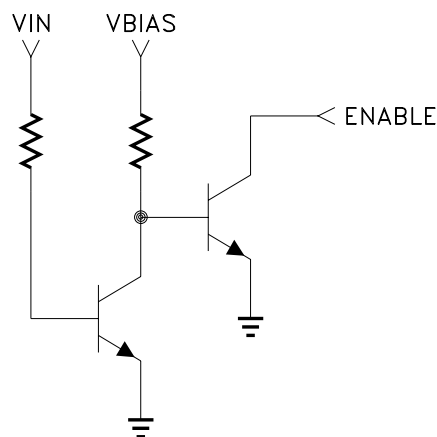
$$T_{RISE} = \frac{(V_{OUT} + 0.6V) \cdot 2 \cdot C_{SS}}{(V_{IN} + 0.3V) \cdot 14}$$

Where V_{OUT} = the output voltage in volts.

V_{IN} = the input bus voltage in volts.

C_{SS} = 0.1 + external soft start capacitance in μF.

The soft start will begin as soon as the bias voltage exceeds the under voltage lockout threshold or the inhibit pin is released; whichever comes last. If bias voltage is applied and the inhibit pin is released before the input voltage is applied, the soft start will have risen early and the output will rise at approximately the same rate as V_{IN} and may overshoot. Any circuit that holds the enable pin low until V_{IN} rises will ensure soft start when VBIAS must rise before V_{IN} . The circuit below may be adapted to suit a variety of applications.



APPLICATION NOTES CONT'D

SENSE:

It is very important that the DC voltage returned to the SENSE pin from the output be as noise and oscillation free as possible. This voltage helps to determine the final output and therefore must be a clean voltage. Excessive noise or oscillation can cause the device to have an incorrect output voltage. Proper PC board layout techniques can help to achieve a noise free voltage at the SENSE pin.

CURRENT LIMIT:

The MSK 5046RH current limit is user programmable by means of an external low value sense resistor. The current limit trips at approximately 100mV, $\pm 20\%$ across the sense resistor. The output voltage will decrease when the current limit is reached. In the case of a sudden and severe overload, the MSK 5046RH will reset and attempt a restart cycle. In noisy systems, the use of a twisted pair helps reduce noise susceptibility of the sense circuit. The voltage present on the sense resistor will have an AC component at the switching frequency. The peak of the AC plus DC voltage will trip the current fault. If current limit is not desired, simply connect CS+ to ground and CS- to VOUT to disable the current sense.

ENABLE FUNCTION:

The ENABLE pin of the MSK 5046RH is designed for open collector drive. Leaving the pin open will allow for normal operation. Pulling the pin low will shut the device down. The enable pin will source up to 3mA when pulled low with high line voltage.

ADJUST:

The output voltage of the MSK5046RH may be adjusted up or down to accommodate a variety of system requirements. Connecting a resistor between the adjust pin and the sense pin will decrease the output voltage. Connecting a resistor between the adjust pin and ground will increase the output voltage.

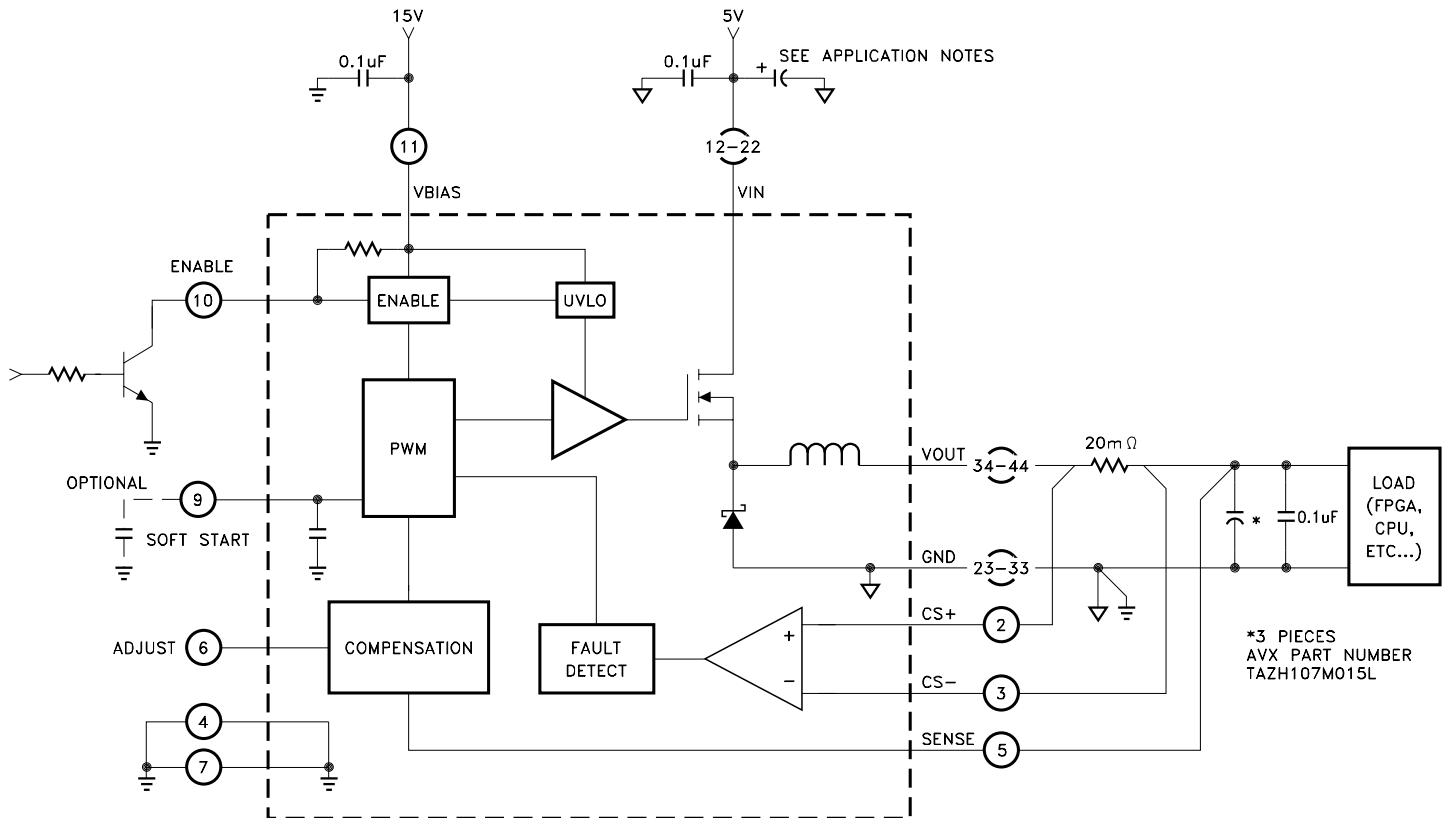
APPROXIMATE RESISTOR VALUES FOR OUTPUT VOLTAGE TRIM				
PART #	K0 TO GROUND		K0 TO VOUT (SENSE)	
	+ 5.0%	+ 10%	-5.0%	-10%
5046-1.5RH	163	81.1	—	—
5046-1.7RH	146	72.4	—	—
5046-1.8RH	103	51.2	—	—
5046-1.9RH	97.4	48.2	—	—
5046-2.0RH	95.6	47.3	—	—
5046-2.5RH	75.1	37.1	—	—
5046-3.0RH	61.9	30.5	8.41	1.8
5046-3.3RH	75.1	37.1	19.8	6.84
5046-3.4RH	75.1	37.1	19.8	6.84
5046-5.0RH	149	74.0	134	59

MINIMUM LOAD:

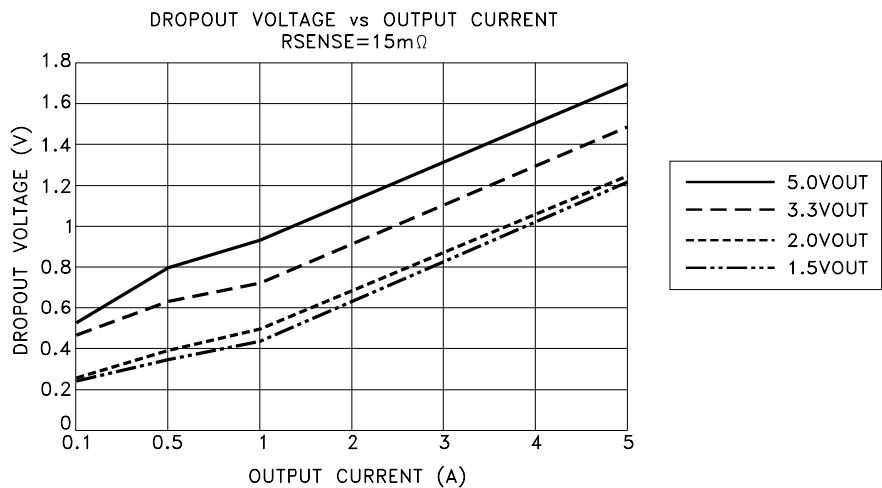
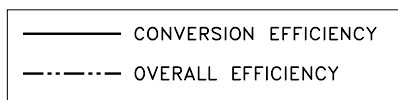
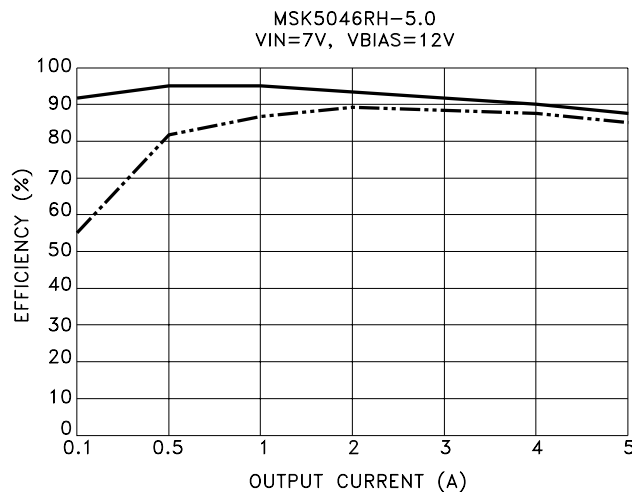
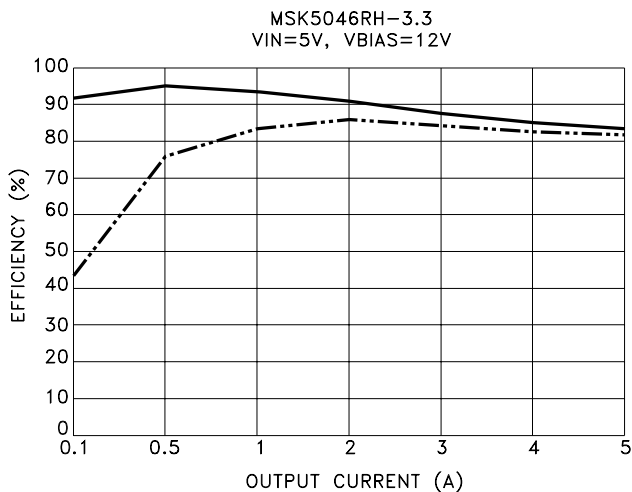
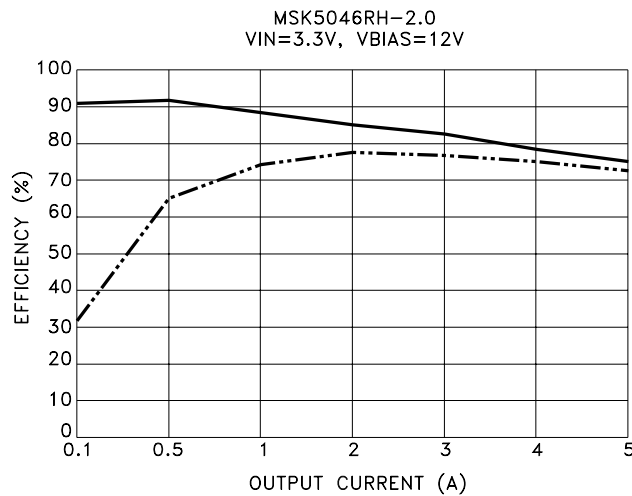
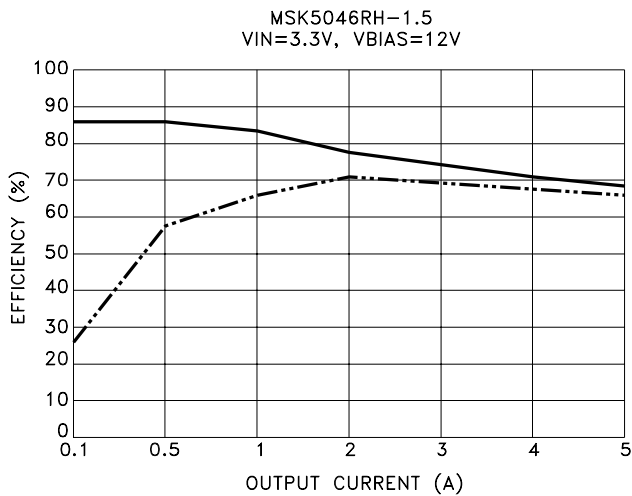
The MSK 5046RH requires less than 2mA minimum load to maintain regulation. Minimum loads greater than 200mA at low line voltage and 400mA at high line voltage provide faster load response.

APPLICATION NOTES CONT'D

TYPICAL LOW VOLTAGE APPLICATION



TYPICAL PERFORMANCE CURVES

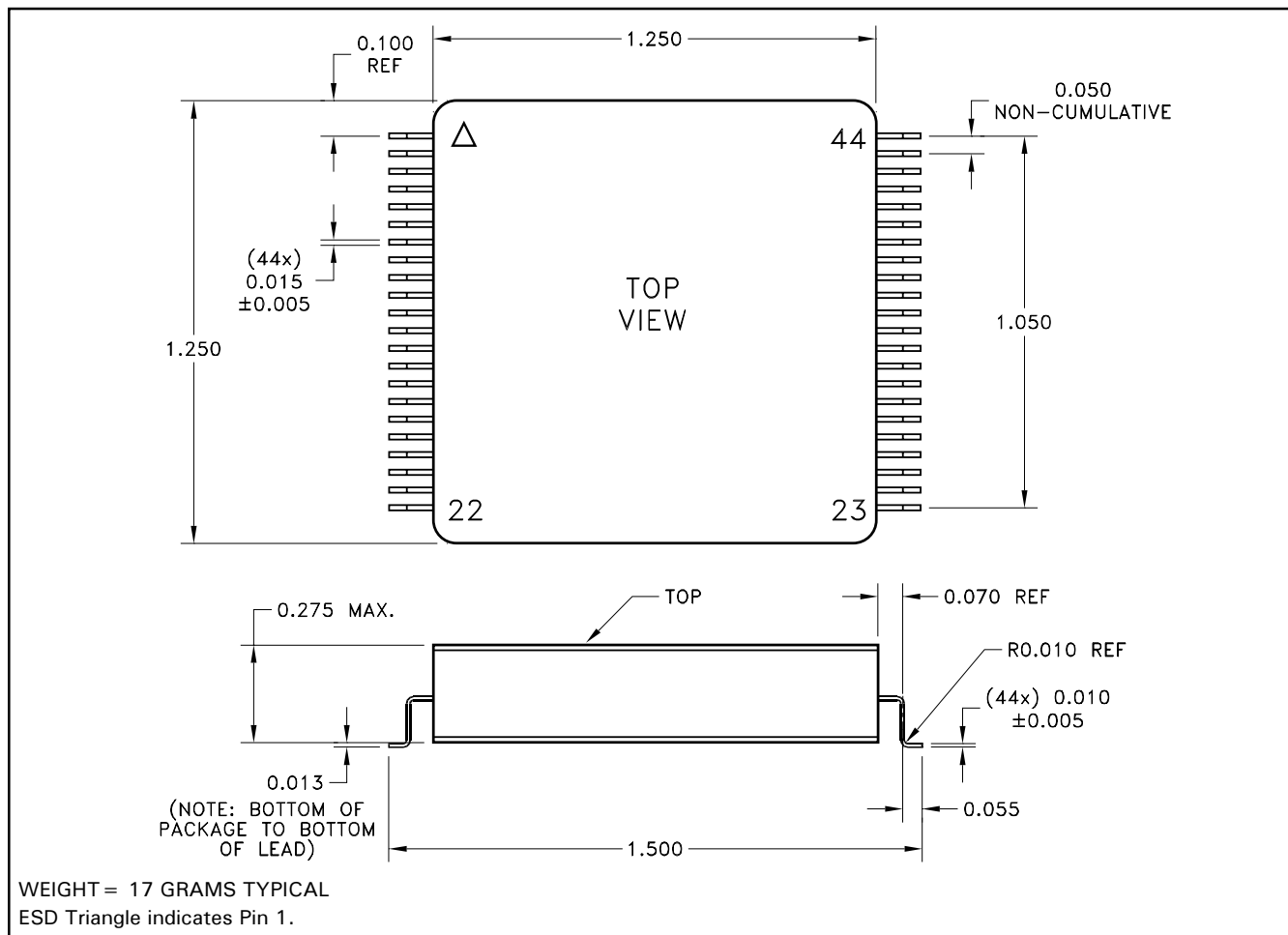


NOTE: Overall efficiency curves include VBias power consumption.

RADIATION CURVES

TBD

MECHANICAL SPECIFICATIONS



NOTE: ALL DIMENSIONS ARE ± 0.010 INCHES UNLESS OTHERWISE LABELED.

ORDERING INFORMATION

MSK5046-3.3 H RH G

LEAD FORM OPTIONS

BLANK = STRAIGHT; G = GULL WING

RADIATION HARDENED

SCREENING

BLANK = INDUSTRIAL; E = EXTENDED RELIABILITY

H = MIL-PRF-38534 CLASS H; K = MIL-PRF-38534 CLASS K

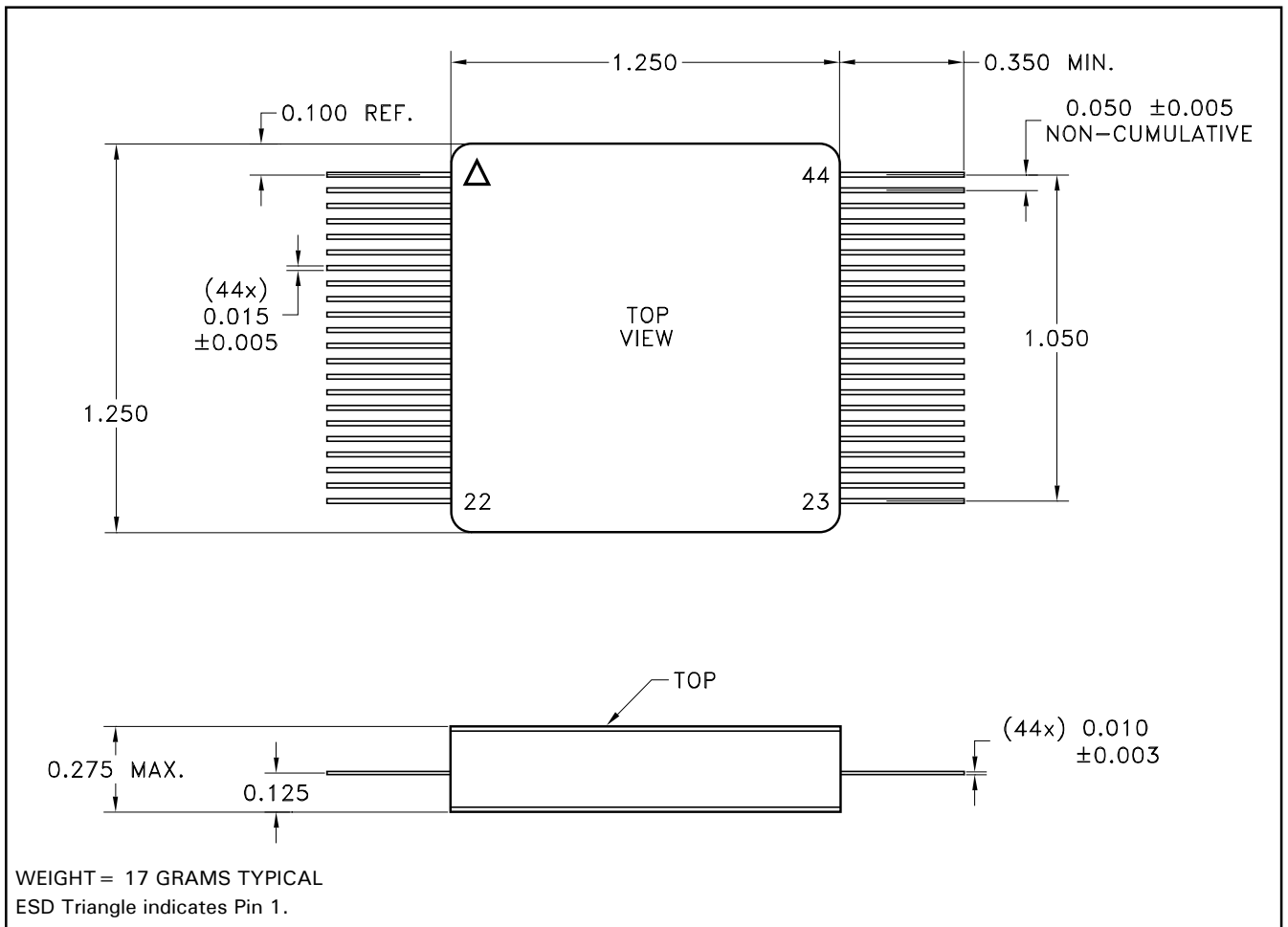
OUTPUT VOLTAGE

1.5 = +1.5V; 1.7 = +1.7V; 1.8 = +1.8V; 1.9 = +1.9V; 2.0 = +2.0V;
2.5 = +2.5V; 3.0 = +3.0V; 3.3 = +3.3V; 3.4 = +3.4V; 5.0 = +5.0V

GENERAL PART NUMBER

The above example is a +3.3V, Class H screened regulator with gull wing leads.

MECHANICAL SPECIFICATIONS CONTINUED



NOTE: ALL DIMENSIONS ARE ± 0.010 INCHES UNLESS OTHERWISE LABELED.

ORDERING INFORMATION

<u>MSK5046-3.3</u>	<u>H</u>	<u>RH</u>	LEAD FORM OPTIONS BLANK = STRAIGHT; G = GULL WING RADIATION HARDENED SCREENING BLANK = INDUSTRIAL; E = EXTENDED RELIABILITY H = MIL-PRF-38534 CLASS H; K = MIL-PRF-38534 CLASS K OUTPUT VOLTAGE 1.5 = +1.5V; 1.7 = +1.7V; 1.8 = +1.8V; 1.9 = +1.9V; 2.0 = +2.0V; 2.5 = +2.5V; 3.0 = +3.0V; 3.3 = +3.3V; 3.4 = +3.4V; 5.0 = +5.0V GENERAL PART NUMBER

The above example is a +3.3V, Class H screened regulator.

M.S. Kennedy Corp.
 4707 Dey Road, Liverpool, New York 13088
 Phone (315) 701-6751
 FAX (315) 701-6752
www.mskennedy.com

The information contained herein is believed to be accurate at the time of printing. MSK reserves the right to make changes to its products or specifications without notice, however, and assumes no liability for the use of its products. Please visit our website for the most recent revision of this datasheet.

Contact MSK for MIL-PRF-38534 Qualification and Appendix G (radiation) status.